

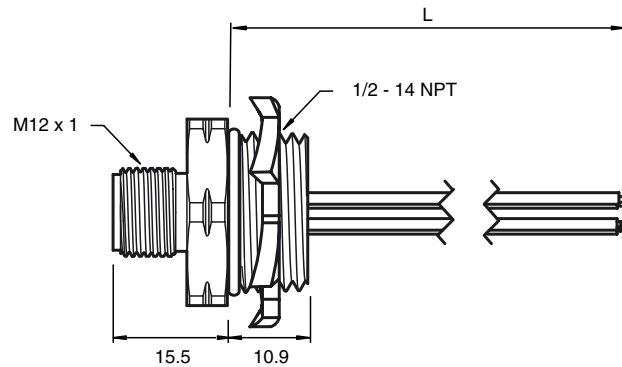


Model Number

1/2" NPT-V1-G-S-1M

Male receptacle, M12/ 1/2" NPT, 4-pin

Dimensions



Technical data

General specifications

Number of pins	4
Construction type	straight

Electrical specifications

Operating voltage	U_B	max. 300 V AC/DC
Operating current	I_B	max. 4 A

Ambient conditions

Ambient temperature	-40 ... 105 °C (-40 ... 221 °F)
---------------------	---------------------------------

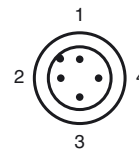
Mechanical specifications

Degree of protection	IP67	
Connection	Single strand leads	
Material	anodized aluminum	
Contacts	Gold plated copper alloy	
Slotted nut	Zinc plated steel	
Sleeve connector	Polyamide (PA)	
Seal	BUNA-N	
Cable		
Cores	4 x 0.34 mm ² , 22 AWG	
Length	L	1 m
Note	1/2" - 14 NPT installation thread	

Approvals and certificates

UL approval	cULus Listed, General Purpose
-------------	-------------------------------

Electrical connection



Electrical connection

1	BN
2	WH
3	BU
4	BK