

Inductive sensor

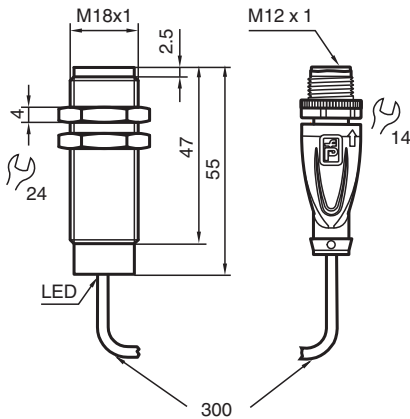
NMB10-18GM55-Z9-C4-300MM-V1



- 10 mm flush
- Increased operating distance
- Stainless steel sensing face
- 2-wire DC
- Weld field immune
- Weld slag resistant coating
- Fixed cable with quick disconnect plug



Dimensions



Technical Data

General specifications

Switching function		Normally open (NO)
Output type		Two-wire
Rated operating distance	s_n	10 mm
Installation		flush
Output polarity		DC
Assured operating distance	s_a	0 ... 8.1 mm
Actuating element		Ferrous and nonferrous targets
Reduction factor r_{Al}		0
Reduction factor r_{Cu}		0
Reduction factor r_{304}		0.8
Reduction factor r_{S137}		1
Reduction factor r_{Brass}		0
Output type		2-wire

Nominal ratings

Operating voltage	U_B	6 ... 30 V DC
Switching frequency	f	1 Hz
Hysteresis	H	3 ... 15 typ. 5 %
Reverse polarity protection		reverse polarity-conductive

Release date: 2025-02-24 Date of issue: 2025-02-24 Filename: 913764_eng.pdf

Refer to "General Notes Relating to Pepperl+Fuchs Product Information".

Pepperl+Fuchs Group
www.pepperl-fuchs.com

USA: +1 330 486 0001
fa-info@us.pepperl-fuchs.com

Germany: +49 621 776 1111
fa-info@de.pepperl-fuchs.com

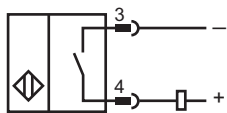
Singapore: +65 6779 9091
fa-info@sg.pepperl-fuchs.com

PF PEPPERL+FUCHS

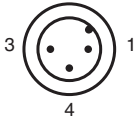
Technical Data

Short-circuit protection		yes
Voltage drop	U_d	< 3 V DC
Operating current	I_L	2 ... 100 mA
Off-state current	I_r	< 400 μ A
Switching state indicator		LED, red
Mag. Field strength, AC fields		250 mT
Mag. Field strength, DC fields		250 mT
Compliance with standards and directives		
Standard conformity		
Standards		EN IEC 60947-5-2
Approvals and certificates		
UL approval		cULus Listed, General Purpose
CCC approval		CCC approval / marking not required for products rated ≤ 36 V
Ambient conditions		
Ambient temperature		-25 ... 70 °C (-13 ... 158 °F)
Mechanical specifications		
Connection type		fixed cable with plug
Housing material		Xylan coated - Stainless steel 1.4305 / AISI 303
Sensing face		Xylan coated - Stainless steel 1.4305 / AISI 303
Degree of protection		IP67
Connector		
Threading		M12 x 1
Tightening torque		≤ 0.6 Nm
Number of pins		3
Cable		
Cable diameter		4.8 mm \pm 0.2 mm
Material		POC
Color		orange
Number of cores		4
Core cross section		0.34 mm ²
Length	L	300 mm
Mass		76 g
Dimensions		
Length		55 mm
Diameter		18 mm

Connection



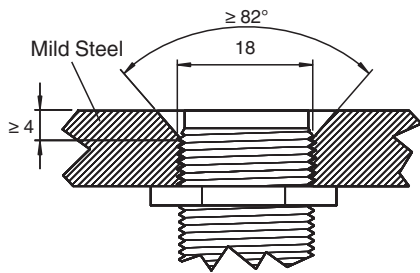
Connection Assignment



Wire colors in accordance with EN 60947-5-2

1	BN	(brown)
3	BU	(blue)
4	BK	(black)

Mounting



Sensor face is flush with mounting surface.

Release date: 2025-02-24 Date of issue: 2025-02-24 Filename: 913764_eng.pdf