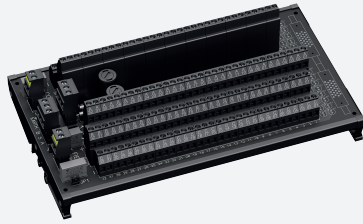


# HART Termination Board

## HiSHPSM/32/MM-01



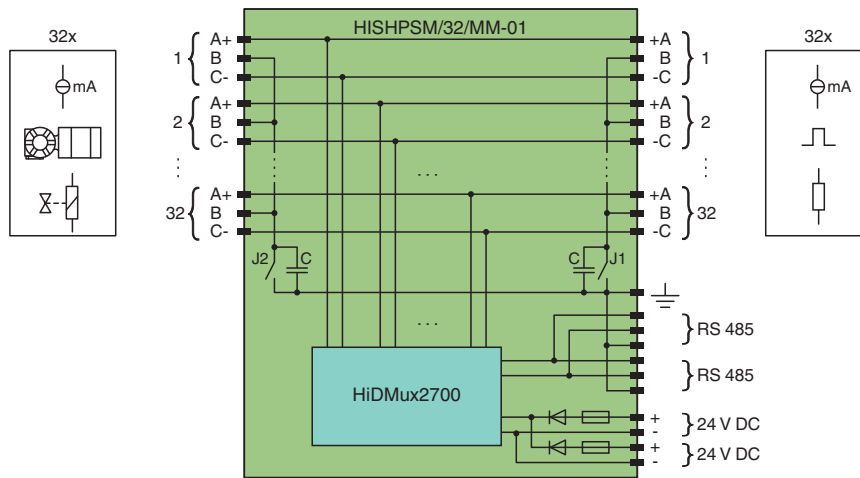
- 32-channel
- 24 V DC supply
- Interface for serial or parallel wiring options
- Dual RS 485 connections
- Slot for HART Multiplexer



### Function

This HART Termination Board has 32 terminal blocks to connect up to 32 HART field devices. It contains one slot to mount the 32-channel HART Multiplexer Master type HiDMux2700. The Termination Board can be used for general-purpose applications or in conjunction with intrinsic safety barriers for hazardous applications. It offers fused redundant power supply connections. RS 485 terminals are redundant and can be daisy chained.

### Connection



### Technical Data

<b>Supply</b>	
Nominal voltage	24 V DC
Fusing	3.15 A , 5 x 20 mm (0.2 x 0.8 inch)
Power dissipation	0.7 W , with Multiplexer
Reverse polarity protection	yes
<b>HART signal channels (intrinsically safe)</b>	
HART signal channels	
Number of channels	32 unbalanced signal loops
<b>Interface</b>	
Type/number	2 x RS-485
<b>Redundancy</b>	
Supply	yes

Release date: 2022-10-18 Date of issue: 2022-10-18 Filename: 915207\_eng.pdf

Refer to "General Notes Relating to Pepperl+Fuchs Product Information".

Pepperl+Fuchs Group  
www.pepperl-fuchs.com

USA: +1 330 486 0002  
pa-info@us.pepperl-fuchs.com

Germany: +49 621 776 2222  
pa-info@de.pepperl-fuchs.com

Singapore: +65 6779 9091  
pa-info@sg.pepperl-fuchs.com

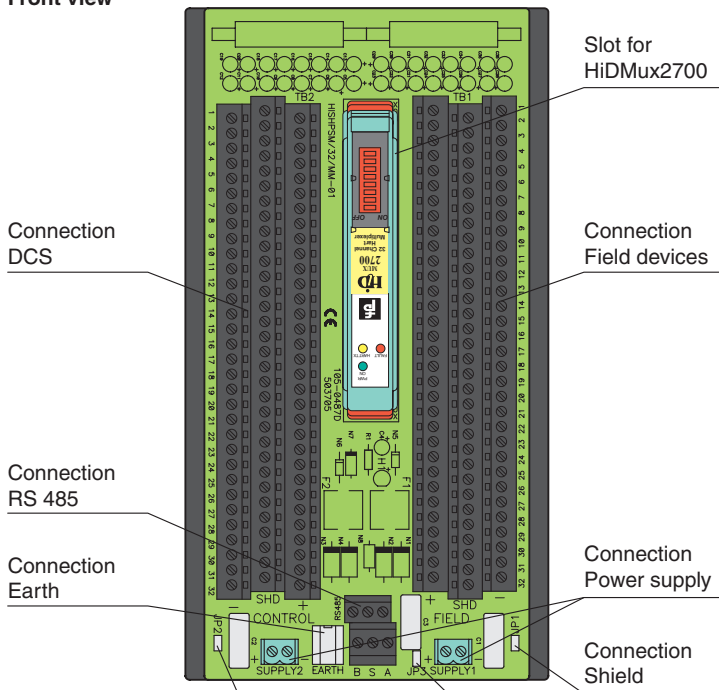
**PF** PEPPERL+FUCHS

**Technical Data**

<b>Galvanic isolation</b>	
HART signal channels	30 V DC
<b>Ambient conditions</b>	
Ambient temperature	-20 ... 55 °C (-4 ... 131 °F)
Relative humidity	5 ... 90 %, non-condensing
<b>Mechanical specifications</b>	
Core cross section	2.5 mm <sup>2</sup> (16 AWG)
Connection	field side: fixed screw terminals control side: fixed screw terminals RS 485 interface: removable screw terminals power: removable screw terminals
Mass	approx. 500 g
Dimensions	222 x 122 x 208 mm (8.7 x 4.8 x 8.2 inch) (W x H x D) , depth including module assembly with HiDMux2700
Mounting	DIN rail mounting
<b>Data for application in connection with hazardous areas</b>	
Certificate	CML 17ATEX3337X II 3 G Ex ec IIC T4 Gc
Certificate	IECEx CML 17.0178X Ex ec IIC T4 Gc
<b>General information</b>	
Supplementary information	Observe the certificates, declarations of conformity, instruction manuals, and manuals where applicable. For information see <a href="http://www.pepperl-fuchs.com">www.pepperl-fuchs.com</a> .

**Assembly**

Front view



Release date: 2022-10-18 Date of issue: 2022-10-18 Filename: 915207\_eng.pdf

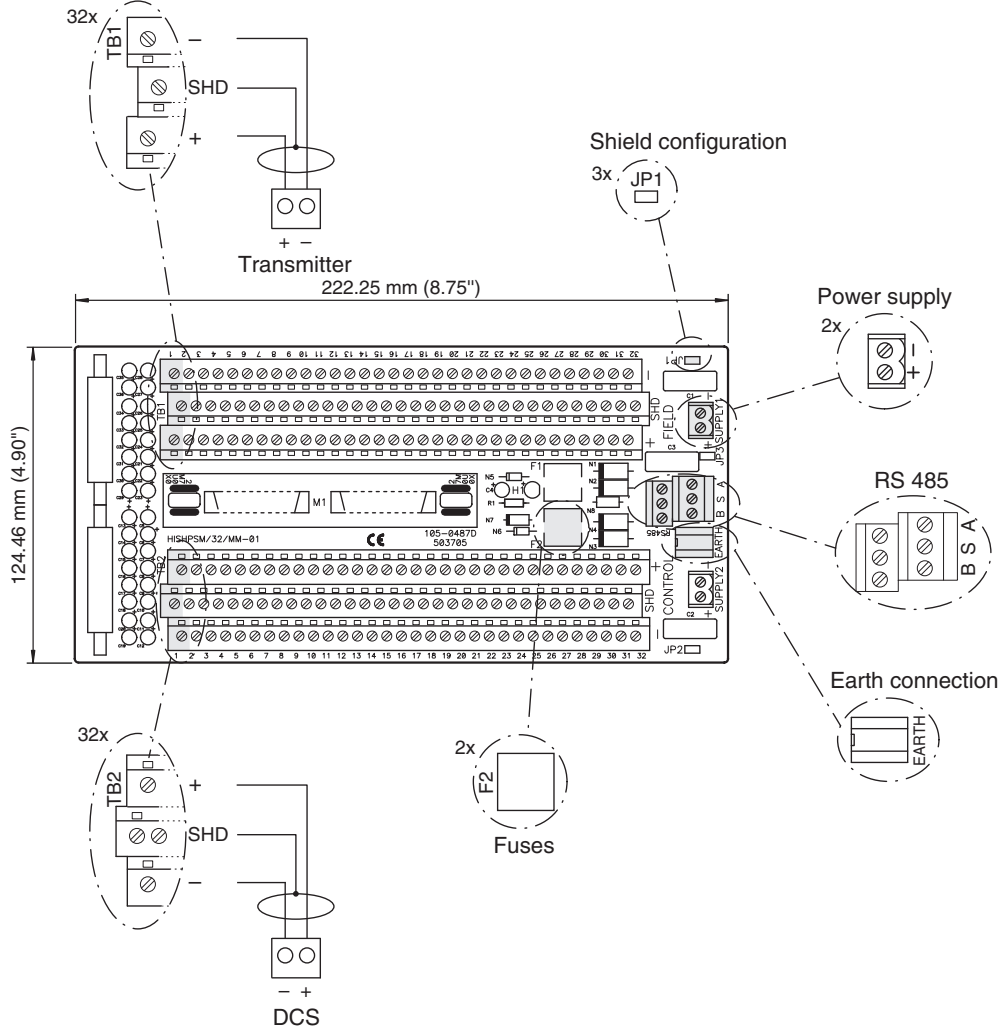
Refer to "General Notes Relating to Pepperl+Fuchs Product Information".

**Additional Information**

**Versions**

HISHPSM/32/MM-01-C	coated version
HISHPSM/32/MM-01/MODV	special version for Dow Chemical

**Connection**



Release date: 2022-10-18 Date of issue: 2022-10-18 Filename: 915207\_eng.pdf