



RFID read/write device hazardous area

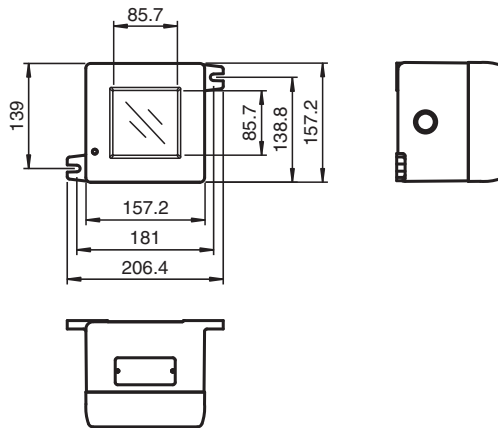
IQH1-FP-C1D1

- Explosion-proof housing
- Operating frequency 13.56 MHz
- Conforms to ISO 15693
- Suitable for FRAM transponder
- Connection via screw terminals
- Approved for Class I, Groups C, D

HF read/write head, ISO 15693, for IDENTControl, hazardous areas



Dimensions



Technical Data

General specifications	
Operating frequency	13.56 MHz
Transfer rate	26 kBit/s
Sensing range	
Read distance	0 ... 44 mm
Write distance	0 ... 44 mm
Width	max. 48 mm
UL File Number	E254700
MTBF	340 a (Operation at +40 °C)
Indicators/operating means	
LED green/yellow	green: power on green flashing: read/write attempt performed yellow: data carrier detected
Electrical specifications	
Power consumption	$P_0 \leq 1.3 \text{ W}$
Supply	from the IDENTControl
Standard conformity	

Release date: 2023-12-06 Date of issue: 2023-12-06 Filename: 915495_eng.pdf

Refer to "General Notes Relating to Pepperl+Fuchs Product Information".

Pepperl+Fuchs Group
www.pepperl-fuchs.com

USA: +1 330 486 0001
fa-info@us.pepperl-fuchs.com

Germany: +49 621 776 1111
fa-info@de.pepperl-fuchs.com

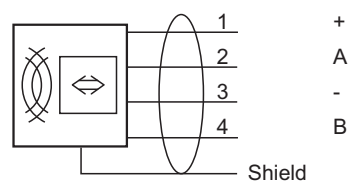
Singapore: +65 6779 9091
fa-info@sg.pepperl-fuchs.com

PEPPERL+FUCHS

Technical Data

Electromagnetic compatibility	EN 301489-1 EN 301489-3 EN 300330
Degree of protection	EN 60529
Safety	EN 62368-1
RFID	ISO/IEC 15693-2 ISO/IEC 15693-3 ISO/IEC 18000-3
Approvals and certificates	
UL approval	Class I, Division 1, Groups C, D
FCC approval	This device complies with part 15 of the FCC rules. Operation is subject to the following two conditions: (1) This device may not cause harmful interference, and (2) This device must accept any interference received, including interference that may cause undesired operation. Caution: Changes or modifications not expressly approved by the party responsible for compliance could void the user's authority to operate the equipment.
Ambient conditions	
Ambient temperature	-25 ... 70 °C (-13 ... 158 °F)
Storage temperature	-40 ... 85 °C (-40 ... 185 °F)
Mechanical specifications	
Housing length	157 mm
Housing width	157 mm
Housing height	140 mm
Degree of protection	NEMA Type 4, 7, 9
Connection	Terminals
Material	
Housing	diecast aluminum
Base	diecast aluminum
Installation	
Distance between two heads	Multiplex on: ≥ 65 mm Multiplex off: ≥ 115 mm
Mass	approx. 4080 g

Connection



Safety Information

This equipment has been tested and found to comply with the limits for a Class A digital device, pursuant to part 15 of the FCC Rules. These limits are designed to provide reasonable protection against harmful interference when the equipment is operated in a commercial environment. This equipment generates, uses, and can radiate radio frequency energy and, if not installed and used in accordance with the instruction manual, may cause harmful interference to radio communications. Operation of this equipment in a residential area is likely to cause harmful interference in which case the user will be required to correct the interference at his own expense.