

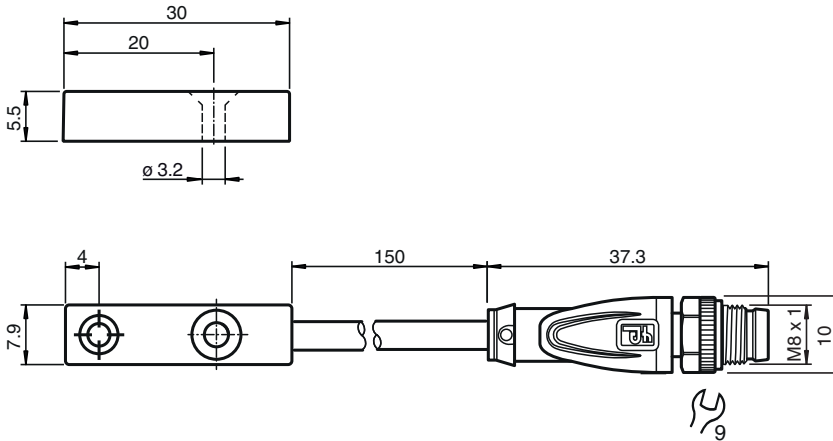


Inductive sensor NMB2-F76M-E1-FE-150MM-V3

- 3-wire DC
- Sensing range 2 mm
- Stainless steel sensing face
- Ferrous targets
- 150 mm male cordset with PUR jacket



Dimensions



Technical Data

General specifications		
Switching function		Normally closed (NC)
Output type		NPN
Rated operating distance	s_n	2 mm
Installation		flush Note: Sensor can be recessed 0.5 mm in steel with no effect on the sensing field.
Assured operating distance	s_a	0 ... 1.62 mm
Actuating element		Ferrous targets
Reduction factor r_{Al}		0
Reduction factor r_{Cu}		0
Reduction factor r_{304}		0.6 - 0.8
Reduction factor r_{Brass}		0
Output type		3-wire
Nominal ratings		
Operating voltage	U_B	10 ... 30 V DC
Switching frequency	f	80 Hz
Hysteresis	H	typ. 5 %
Reverse polarity protection		reverse polarity protected
Short-circuit protection		pulsing

Release date: 2023-10-27 Date of issue: 2023-10-27 Filename: 916059_eng.pdf

Refer to "General Notes Relating to Pepperl+Fuchs Product Information".

Pepperl+Fuchs Group
www.pepperl-fuchs.com

USA: +1 330 486 0001
fa-info@us.pepperl-fuchs.com

Germany: +49 621 776 1111
fa-info@de.pepperl-fuchs.com

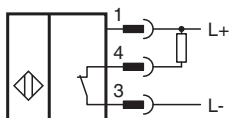
Singapore: +65 6779 9091
fa-info@sg.pepperl-fuchs.com

PF PEPPERL+FUCHS

Technical Data

Voltage drop	U_d	$\leq 2 \text{ V}$
Operating current	I_L	$\leq 200 \text{ mA}$
Current consumption		$\leq 22 \text{ mA}$
Off-state current	I_r	$\leq 10 \mu\text{A}$
No-load supply current	I_0	$\leq 15 \text{ mA}$
Functional safety related parameters		
MTTF _d		828 a
Mission Time (T _M)		20 a
Diagnostic Coverage (DC)		0 %
Indicators/operating means		
Operation indicator		Dual LED green: power yellow: Output
Compliance with standards and directives		
Standard conformity		
Standards		EN 60947-5-2:2007 IEC 60947-5-2:2007
Approvals and certificates		
UL approval		cULus Listed, General Purpose
CCC approval		CCC approval / marking not required for products rated $\leq 36 \text{ V}$
Ambient conditions		
Ambient temperature		-10 ... 70 °C (14 ... 158 °F)
Shock resistance		30 g 11 ms 3 planes
Mechanical specifications		
Connection type		fixed cable with plug
Housing material		Stainless steel 1.4305 / AISI 303
Degree of protection		IP67
Connector		
Threading		M8 x 1
Tightening torque		0.4 Nm
Number of pins		3
Cable		
Cable diameter		3 mm - 0.2 mm
Bending radius		> 12 x cable diameter
Material		PUR
Color		black
Number of cores		3
Core cross section		0.14 mm ²
Length	L	150 mm

Connection



Connection Assignment



Wire colors in accordance with EN 60947-5-2

1		BN	(brown)
3		BU	(blue)
4		BK	(black)