

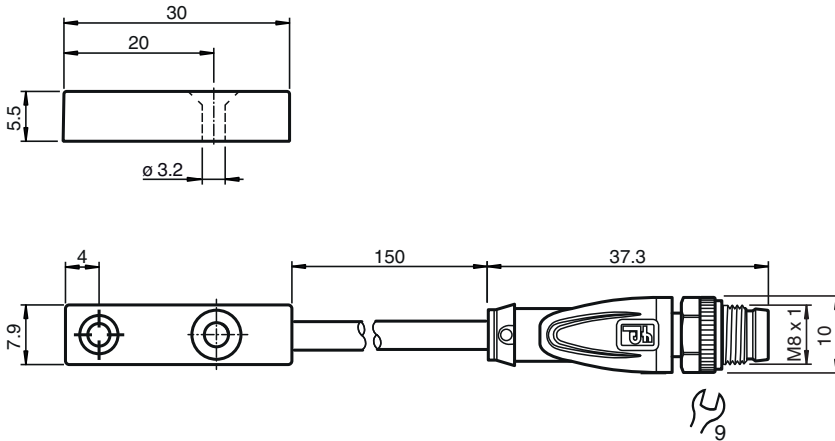


Inductive sensor NMB2-F76M-E3-FE-150MM-V3

- 3-wire DC
- Sensing range 2 mm
- Stainless steel sensing face
- Ferrous targets
- 150 mm male cordset with PUR jacket



Dimensions



Technical Data

| General specifications | | |
|------------------------------|-------|--|
| Switching function | | Normally closed (NC) |
| Output type | | PNP |
| Rated operating distance | s_n | 2 mm |
| Installation | | flush Note: Sensor can be recessed 0.5 mm in steel with no effect on the sensing field. |
| Assured operating distance | s_a | 0 ... 1.62 mm |
| Actuating element | | Ferrous targets |
| Reduction factor r_{Al} | | 0 |
| Reduction factor r_{Cu} | | 0 |
| Reduction factor r_{304} | | 0.6 - 0.8 |
| Reduction factor r_{Brass} | | 0 |
| Output type | | 3-wire |
| Nominal ratings | | |
| Operating voltage | U_B | 10 ... 30 V DC |
| Switching frequency | f | 80 Hz |
| Hysteresis | H | typ. 5 % |
| Reverse polarity protection | | reverse polarity protected |
| Short-circuit protection | | pulsing |

Release date: 2023-10-27 Date of issue: 2023-10-27 Filename: 916061_eng.pdf

Refer to "General Notes Relating to Pepperl+Fuchs Product Information".

Pepperl+Fuchs Group
www.pepperl-fuchs.com

USA: +1 330 486 0001
fa-info@us.pepperl-fuchs.com

Germany: +49 621 776 1111
fa-info@de.pepperl-fuchs.com

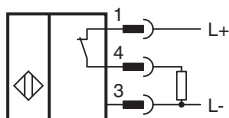
Singapore: +65 6779 9091
fa-info@sg.pepperl-fuchs.com

PF PEPPERL+FUCHS

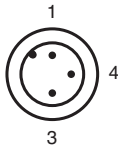
Technical Data

| | | |
|---|-------|--|
| Voltage drop | U_d | $\leq 2 \text{ V}$ |
| Operating current | I_L | $\leq 200 \text{ mA}$ |
| Current consumption | | $\leq 22 \text{ mA}$ |
| Off-state current | I_r | $\leq 10 \mu\text{A}$ |
| No-load supply current | I_0 | $\leq 15 \text{ mA}$ |
| Functional safety related parameters | | |
| MTTF _d | | 828 a |
| Mission Time (T _M) | | 20 a |
| Diagnostic Coverage (DC) | | 0 % |
| Indicators/operating means | | |
| Operation indicator | | Dual LED green: power yellow: Output |
| Compliance with standards and directives | | |
| Standard conformity | | |
| Standards | | EN 60947-5-2:2007 IEC 60947-5-2:2007 |
| Approvals and certificates | | |
| UL approval | | cULus Listed, General Purpose |
| CCC approval | | CCC approval / marking not required for products rated $\leq 36 \text{ V}$ |
| Ambient conditions | | |
| Ambient temperature | | -10 ... 70 °C (14 ... 158 °F) |
| Shock resistance | | 30 g 11 ms 3 planes |
| Mechanical specifications | | |
| Connection type | | fixed cable with plug |
| Housing material | | Stainless steel 1.4305 / AISI 303 |
| Degree of protection | | IP67 |
| Connector | | |
| Threading | | M8 x 1 |
| Tightening torque | | 0.4 Nm |
| Number of pins | | 3 |
| Cable | | |
| Cable diameter | | 3 mm - 0.2 mm |
| Bending radius | | > 12 x cable diameter |
| Material | | PUR |
| Color | | black |
| Number of cores | | 3 |
| Core cross section | | 0.14 mm ² |
| Length | L | 150 mm |

Connection



Connection Assignment



Wire colors in accordance with EN 60947-5-2

| | | | |
|---|--|----|---------|
| 1 | | BN | (brown) |
| 3 | | BU | (blue) |
| 4 | | BK | (black) |