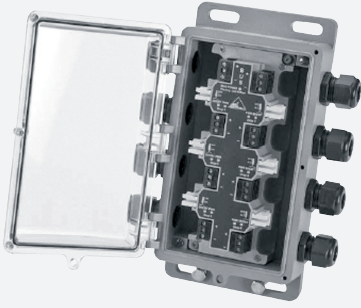


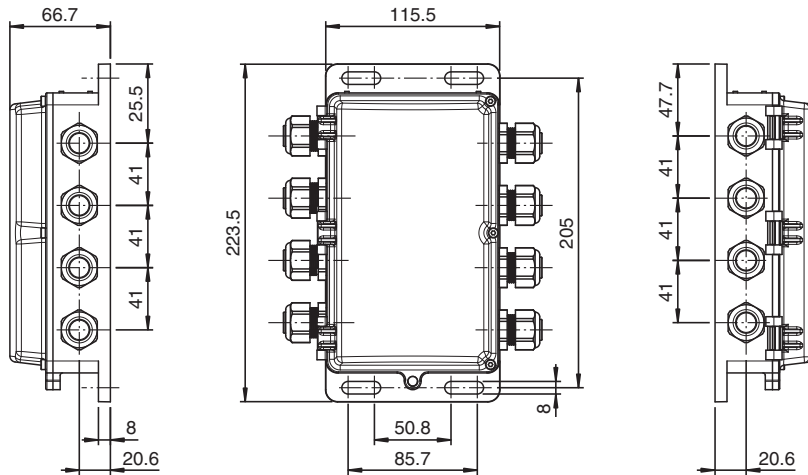
# AS-Interface 6 port segment protector VAZ-RK-P-6TEE-CG



- Protected AS-i; 6 port segment protector
- 8 cable glands

AS-Interface 6 port segment protector

## Dimensions



## Technical Data

### General specifications

Description	AS-Interface 6 port segment protector
-------------	---------------------------------------

### Indicators/operating means

LED Overload	LED red: output overloaded
LED BUS ACTIVE	LED green: flashing = low voltage
LED PWR	LED green: port powered

### Electrical specifications

Rated operating voltage	$U_e$	26.5 ... 31.6 V from AS-Interface
Rated operating current	$I_e$	8 A
Maximum safe voltage	$U_m$	35 V

### Interface

Protocol	AS-Interface
----------	--------------

### Output

Number/Type	6, port segment protector, 1 node each spur connection
Current limit	28 mA (output off) 240 mA (output on) per spur
Voltage drop	$U_d$ < 1 V
Short-circuit current	max. 28 mA

Release date: 2020-10-19 Date of issue: 2020-10-19 Filename: 917014\_eng.pdf

Refer to "General Notes Relating to Pepperl+Fuchs Product Information".

Pepperl+Fuchs Group  
www.pepperl-fuchs.com

USA: +1 330 486 0001  
fa-info@us.pepperl-fuchs.com

Germany: +49 621 776 1111  
fa-info@de.pepperl-fuchs.com

Singapore: +65 6779 9091  
fa-info@sg.pepperl-fuchs.com

**PF** PEPPERL+FUCHS

**Technical Data**

**Approvals and certificates**

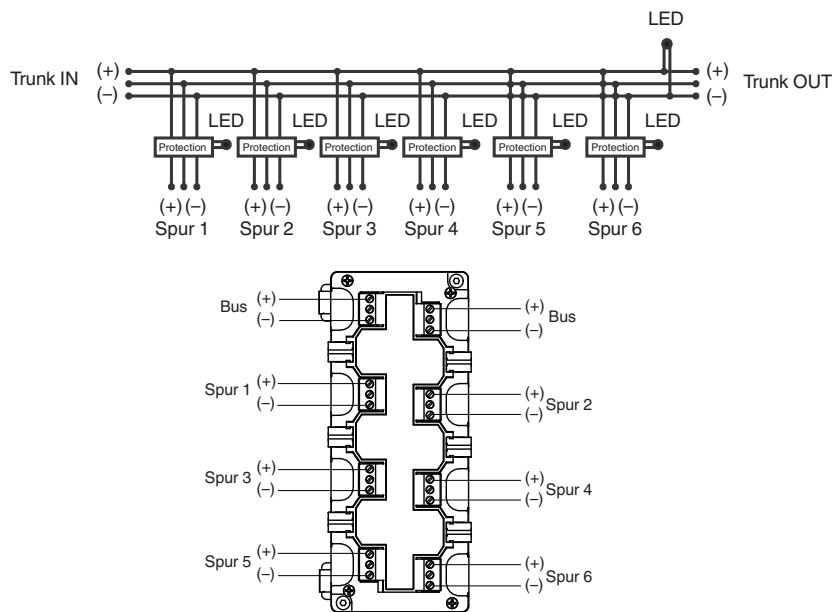
**Ambient conditions**

Ambient temperature	-40 ... 80 °C (-40 ... 176 °F)
Storage temperature	-40 ... 80 °C (-40 ... 176 °F)
Vibration resistance	

**Mechanical specifications**

Degree of protection	IP67
Connection	6 Cable glands M20 type
Material	
Housing	Anodized aluminum , stainless steel slot head screws , cover Lexan (PC) , Sealing washers: Buna-N (NBR)

**Connection**



Release date: 2020-10-19 Date of issue: 2020-10-19 Filename: 917014\_eng.pdf

Refer to "General Notes Relating to Pepperl+Fuchs Product Information".

Pepperl+Fuchs Group  
www.pepperl-fuchs.com

USA: +1 330 486 0001  
fa-info@us.pepperl-fuchs.com

Germany: +49 621 776 1111  
fa-info@de.pepperl-fuchs.com

Singapore: +65 6779 9091  
fa-info@sg.pepperl-fuchs.com

## Connection

Only one AS-Interface module may be operated in a protected AS-Interface segment. For correct operation, the current consumption of the module including all connected and activated inputs must not exceed 28 mA.