

# Multi Scan Control Interface MSEU-F600-Contour2D



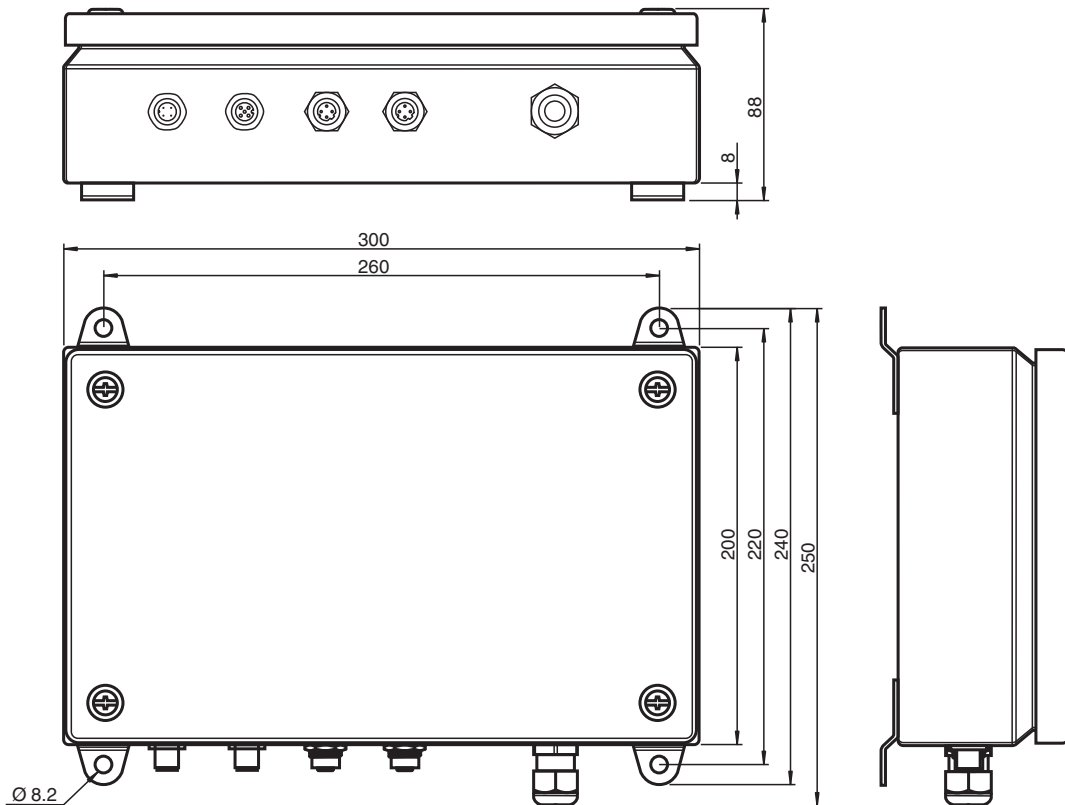
- Industrial-grade PC for 24/7 operation
- Long-term support with product availability
- Sturdy housing, suitable for rough industrial use
- Pre-installed Contour2D software

Part of the Contour2D Smart System

## Function

The MSEU-F600-Contour2D multi-scan control interface is the core component of the Contour2D Smart System. The Pepperl+Fuchs BTC12N industrial PC used is designed for round-the-clock operation. The steel housing makes the product suitable for use in harsh industrial environments. The software of the Contour2D system is pre-installed and ready for immediate use.

## Dimensions



Release date: 2022-09-27 Date of issue: 2022-09-27 Filename: faa-1020\_eng.pdf

Refer to "General Notes Relating to Pepperl+Fuchs Product Information".

Pepperl+Fuchs Group  
www.pepperl-fuchs.com

USA: +1 330 486 0002  
pa-info@us.pepperl-fuchs.com

Germany: +49 621 776 2222  
pa-info@de.pepperl-fuchs.com

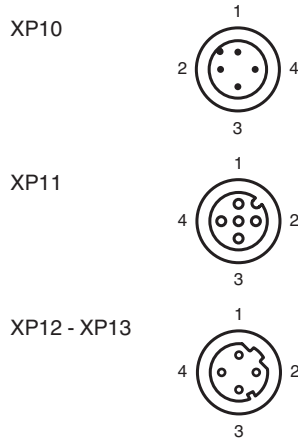
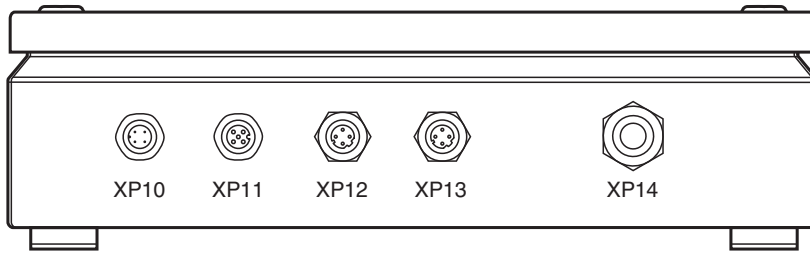
Singapore: +65 6779 9091  
pa-info@sg.pepperl-fuchs.com

**PF** PEPPERL+FUCHS

## Technical Data

| Hardware                      |   |
|-------------------------------|---|
| Processor                     | Intel® Apollo Lake N4200 series   |
| RAM                           | 4 GB DDR3L  |
| Mass storage                  | 32 GB eMMC MLC  |
| Supply                        |   |
| Power supply                  | Input voltage: 16 ... 28 V DC<br>Output voltage: 16 ... 28 V DC<br>Input current: max. 2 A - 1 A  |
| Interface                     |   |
| Interface type                | Voltage input: M12 plug, A-coded, 4-pin<br>Voltage output: M12 socket, A-coded, 4-pin<br>Network connection: M12 socket, D-coded, 4-pin, shielded via screw connection<br>Shielded earth: Connection terminal |
| Directive conformity          |   |
| Electromagnetic compatibility |   |
| Directive 2014/30/EU          | EN 61326-1:2013<br>EN 55032:2015, AC:2016<br>EN 55035:2017  |
| RoHS                          |   |
| Directive 2011/65/EU (RoHS)   | EN 50581:2012-09  |
| Software                      |   |
| Operating system              | Linux Debian 10   |
| Ambient conditions            |   |
| Operating temperature         | -20 ... 45 °C (-4 ... 113 °F)   |
| Storage temperature           | -20 ... 60 °C (-4 ... 140 °F)   |
| Relative humidity             | ≤ 95 % at 40 °C (non-condensing acc. to EN 60068-2-78)  |
| Mechanical specifications     |   |
| Degree of protection          | IP66  |
| Mass                          | 4.8 kg  |
| Dimensions                    | 300 mm x 200 mm x 80 mm   |
| Mounting                      | wall mounting   |
| Note                          | Passive cooling, no rotating parts.<br>Power supply not included.   |

## Connection



| Connection | Function                            | Assignment   |
|------------|-------------------------------------|--|
| XP10       | Voltage input                       | 1: 24 V <sub>DC</sub>  |
| XP11       | Voltage output                      | 2: n.c.<br>3: 0 V<br>4: n.c.                                 |
| XP12       | Network connection Local Network    | 1: TD+   |
| XP13       | Network connection 2-D LiDAR sensor | 2: RD+<br>3: TD-<br>4: RD-<br>Shielding via screw connection |
| XP14       | Protective earth                    | Terminal<br>Clamping range: Wire cross section 3.5 ... 35 mm |