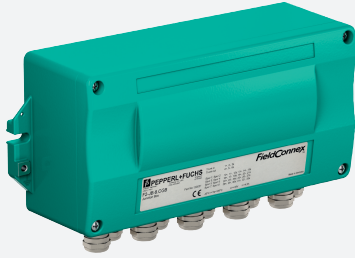


# Fieldbus junction box

F2-JB-I#.\*



- 4 ... 8 outputs Ex ia, ib
- Installation in Zone 1/Div. 1
- Instruments in Zone 0...1/Div. 1
- Trunk and spurs intrinsically safe
- For FOUNDATION Fieldbus H1 and PROFIBUS PA
- Supports FISCO and Entity



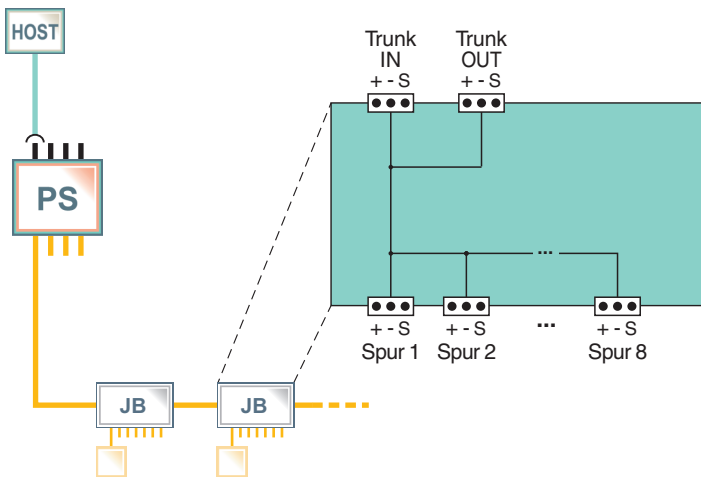
## Function

The fieldbus junction box is a passive device coupler that connects instruments to intrinsically safe segments. The housing (type F2) is made of sturdy aluminum for installation in rough environments Zone 1/Division 1.

As an associated apparatus, the junction box is permitted for trunk and spur connections that are rated intrinsically safe (Ex ia, Ex ib) for instruments located in Zone 0 ... 1/Division 1.

A choice of fixed screw terminals or plug-in spring terminals is available. Hard and capacitive grounding concepts are selectable via jumper.

## Connection



Zone 1/Div. 1

## Technical Data

### General specifications

Design / Mounting Outside installation

### Fieldbus connection

Main cable (Trunk)

Connection input (Trunk IN): terminals 1+, 2-, 3s  
output (Trunk OUT): terminals 4+, 5-, 6s

Rated voltage max. 35 V DC

Rated current 3 A DC

Outputs

Release date: 2022-07-04 Date of issue: 2022-07-04 Filename: t151710\_eng.pdf

Refer to "General Notes Relating to Pepperl+Fuchs Product Information".

Pepperl+Fuchs Group  
www.pepperl-fuchs.com

USA: +1 330 486 0002  
pa-info@us.pepperl-fuchs.com

Germany: +49 621 776 2222  
pa-info@de.pepperl-fuchs.com

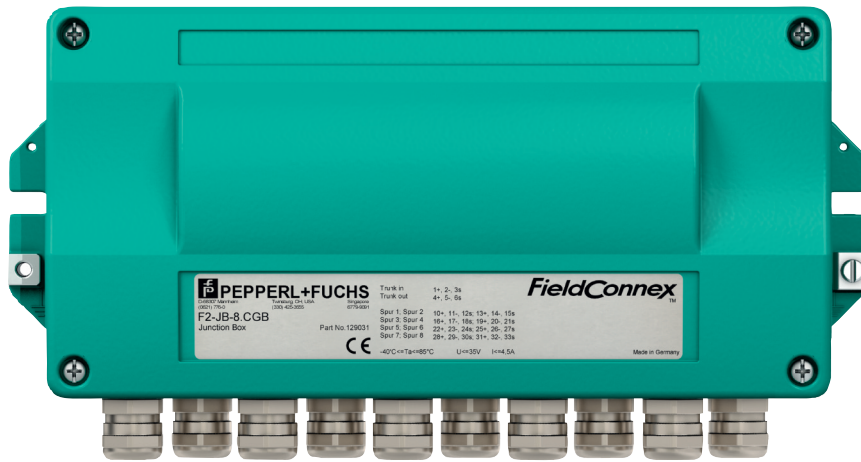
Singapore: +65 6779 9091  
pa-info@sg.pepperl-fuchs.com

**pf** PEPPERL+FUCHS

## Technical Data

Connection	Spur 1: terminals 10+, 11-, 12s Spur 2: terminals 13+, 14-, 15s Spur 3: terminals 16+, 17-, 18s Spur 4: terminals 19+, 20-, 21s Spur 5: terminals 22+, 23-, 24s Spur 6: terminals 25+, 26-, 27s Spur 7: terminals 28+, 29-, 30s Spur 8: terminals 31+, 32-, 33s
Rated voltage	see main cable
Rated current	see main cable
<b>Directive conformity</b>	
Electromagnetic compatibility	
Directive 2004/108/EC	EN 61326-1:2006
<b>Standard conformity</b>	
Electromagnetic compatibility	NAMUR NE 21, EN 61326
Degree of protection	IEC/EN 60529
Fieldbus standard	IEC 61158-2
Climatic conditions	DIN IEC 721
<b>Ambient conditions</b>	
Ambient temperature	see table
Storage temperature	-40 ... 85 °C (-40 ... 185 °F)
<b>Mechanical specifications</b>	
Connection type	
Main cable (Trunk)	Terminals
Core cross section	up to 2.5 mm <sup>2</sup>
Cable diameter	
Main cable (Trunk)	5 ... 10 mm
Housing	258 mm x 114 mm x 84 mm (without cable glands)
Degree of protection	IP67
Mass	1800 g
Mounting	wall mounting
<b>Data for application in connection with hazardous areas</b>	
Main cable (Trunk)	only for connection to intrinsically safe fieldbus circuits
Maximum values	
Voltage $U_i$	max. 35 V
Current $I_i$	max. 3 A
Directive conformity	
Directive 2014/34/EU	Standards EN 60079-0:2012, EN 60079-11:2012

Product Photo



Release date: 2022-07-04 Date of issue: 2022-07-04 Filename: t151710\_eng.pdf

Refer to "General Notes Relating to Pepperl+Fuchs Product Information".

Pepperl+Fuchs Group  
www.pepperl-fuchs.com

USA: +1 330 486 0002  
pa-info@us.pepperl-fuchs.com

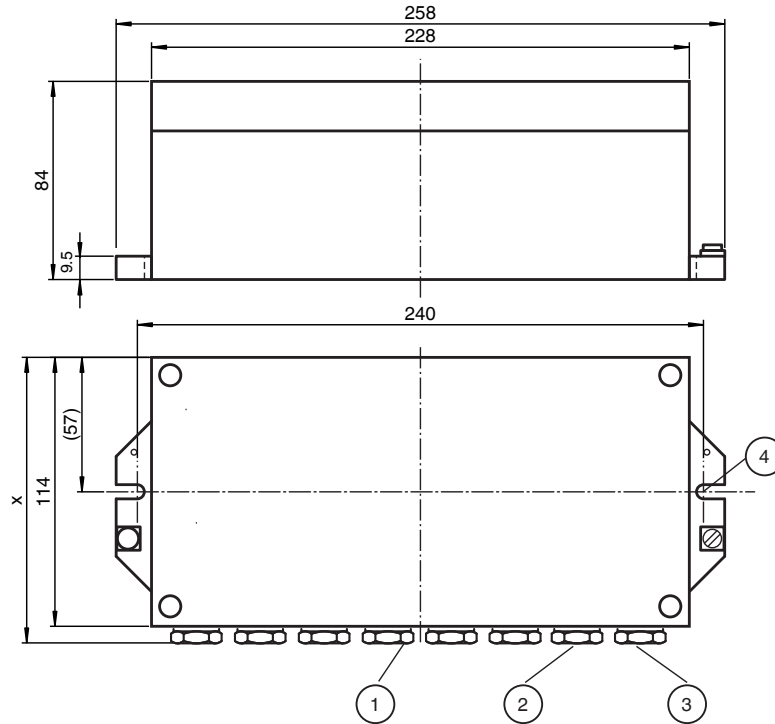
Germany: +49 621 776 2222  
pa-info@de.pepperl-fuchs.com

Singapore: +65 6779 9091  
pa-info@sg.pepperl-fuchs.com

**pf** PEPPERL+FUCHS

**Additional Information**

**Dimensions**



- x Height see table 2
  - 1 Output types and sizes (AF) see table 2
  - 2 Trunk IN connector
  - 3 Trunk OUT socket
  - 4 Notch for fixing with M6 screws
- All dimensions in millimeters (mm) and without tolerance indication.

**Accessories**

Cover:	Form seal	F 2 04-AVP3E
Plug socket M12:	Stopping plug	VAZ-V1-B*

**Product Versions**

**Versions of Cable Glands and Number of Outputs**

Identification (*)	Type of cable gland	Number of outputs (spurs)			Height X (mm)	AF (mm)
		4	6	8		
CG	Plastic	x	x	x	140	20
CGB	Nickel plated brass	x	x	x	140	20
CGS	Stainless steel	x	x		140	22
CGAB	Nickel plated brass, for armored cable	x			160	24

(x) = available version

Example for designation F2-JB-I.\*:

Fieldbus junction box, intrinsically safe version with 6 outputs, stainless steel gland = F2-JB-I6.CGS

**Cable Diameter**

Identification F2-JB-...*	Cable diameter (mm)
CG	5 ... 10
CGB	5 ... 10

Release date: 2022-07-04 Date of issue: 2022-07-04 Filename: t151710\_eng.pdf

Refer to "General Notes Relating to Pepperl+Fuchs Product Information".

Identification F2-JB-...*	Cable diameter (mm)
CGS	5 ... 10
CGAB	8.5 ... 16 external 6 ... 12 internal 0 ... 1.25 armor

**Ambient Temperature Range**

Identification F2-JB-...*	Temperature range (°C)
CG	-30 °C ... +70 °C
CGB	-40 °C ... +85 °C
CGS	-40 °C ... +85 °C
CGAB	-40 °C ... +85 °C

Release date: 2022-07-04 Date of issue: 2022-07-04 Filename: t151710\_eng.pdf

Refer to "General Notes Relating to Pepperl+Fuchs Product Information".