

Electronic Earthing System (Resistive and Capacitive)

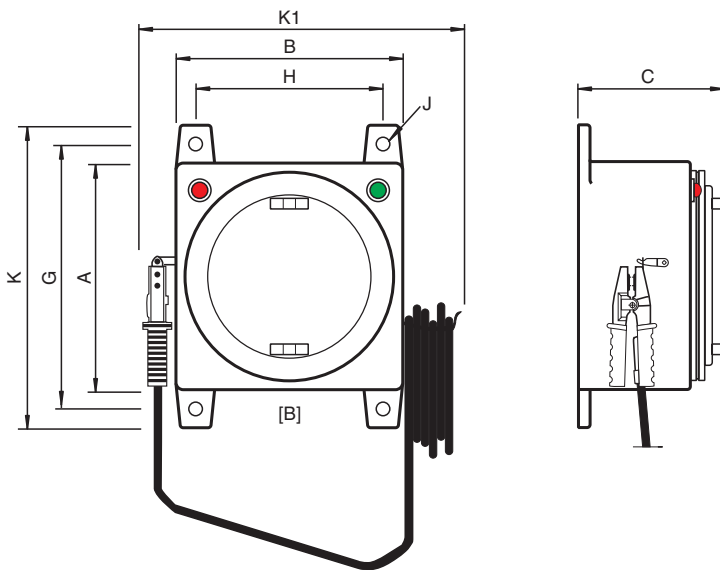
GUB3L *DMT*



- Elimination of electrostatic charges
- Copper-free aluminum enclosure
- Installation in Zone 1, Zone 2, Zone 21 and Zone 22
- Ex d and Ex tb certified
- Gas group IIC
- Degree of protection: IP 65



Dimensions



Release date: 2023-09-14 Date of issue: 2023-09-14 Filename: t152883_eng.pdf

Refer to "General Notes Relating to Pepperl+Fuchs Product Information".

Pepperl+Fuchs Group
www.pepperl-fuchs.com

USA: +1 330 486 0002
pa-info@us.pepperl-fuchs.com

Germany: +49 621 776 2222
pa-info@de.pepperl-fuchs.com

Singapore: +65 6779 9091
pa-info@sg.pepperl-fuchs.com

 **PEPPERL+FUCHS**

Dimensions

Dimension values see data table.

Real values might differ slightly due to manufacturing tolerances.

Dimensions are valid for standard enclosures and IP66 variants only.

Image and drawing are generic for this device type and may deviate from the specific variant.

Legend	
A	Height
B	Width
C	Depth
G	Mounting holes distance, vertical
H	Mounting holes distance, horizontal
J	Mounting holes diameter
K	Maximum external dimension of mounting brackets
K1	Maximum external dimension with clamp and cable hook
[B]	Cable entry face

Technical Data

Electrical specifications

Operating voltage	230 V AC , optional 110 V AC
Function	elimination of electrostatic charges
Lens color	red and green
Operator action	Cable: hydrocarbon-resistant, 3x 3 mm ² , length 8 m. Other lengths on request. Connection clamp: Aluminum with phosphor bronze contacts, isolating thermoplastic handles

Mechanical specifications

Thread type	metric ISO pitch 1.5 mm or NPT ANSI ASME B1.20.1
Enclosure cover	threaded round cover
Cover fixing	flamepath thread
Cover seal	none, O-ring for IP66/67
Flamepath grease	petroleum jelly
Degree of protection	IP65 , Enclosure IP66 (IP66/67 with O-ring)
Cable entry	face B
Cable entry face B	
M25 quantity	2
M25 type	NPT 3/4"
M25 info	as standard, other on request
Material	
Enclosure	aluminum alloy
Finish	epoxy coated RAL 7005 (grey)
O-Ring	silicone
Mass	approx. 25 kg
Dimensions	values might differ slightly due to casting and manufacturing tolerances
External dimension (A)	360 mm
External dimension (B)	360 mm
External dimension (C)	245 mm
Mounting holes distance (G)	395 mm
Mounting holes distance (H)	318 mm
Mounting holes diameter (J)	10 mm
Number of mounting brackets	4
Maximum external dimension (K)	430 mm
Maximum external dimension (K1)	510 mm
Grounding	M6 external grounding points

Ambient conditions

Release date: 2023-09-14 Date of issue: 2023-09-14 Filename: t152883_eng.pdf

Refer to "General Notes Relating to Pepperl+Fuchs Product Information".

Pepperl+Fuchs Group
www.pepperl-fuchs.com

USA: +1 330 486 0002
pa-info@us.pepperl-fuchs.com

Germany: +49 621 776 2222
pa-info@de.pepperl-fuchs.com

Singapore: +65 6779 9091
pa-info@sg.pepperl-fuchs.com

 **PEPPERL+FUCHS**

Technical Data

Ambient temperature	-20 ... 40 °C (-4 ... 104 °F)
Data for application in connection with hazardous areas	
EU-type examination certificate	INERIS 14 ATEX 0035X
Marking	⊕ II 2 GD Ex db [ia Ga] IIC T6 Gb, II 2 GD Ex tb [iaD] IIIC T85°C Db
Conformity	
Degree of protection	EN 60529
CE marking	0080 or 0102, see type label
General information	
Ordering information	This solution will be delivered completely configured and assembled ready for use. For configuration details please contact Customer Service.
Supplementary information	EC-Type Examination Certificate, Statement of Conformity, Declaration of Conformity, Attestation of Conformity and instructions have to be observed where applicable. For information see www.pepperl-fuchs.com .