

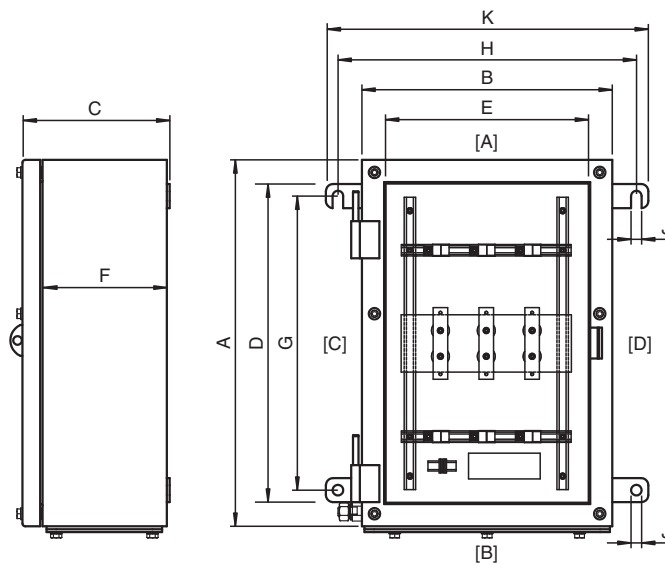


High Voltage Terminal Enclosure Ex e HVB6.6

- For installation of power distribution networks
- 316L Stainless Steel
- Ex e certified
- M10 internal/external brass earth stud
- Installation in Zone 1, Zone 2, Zone 21 and Zone 22
- 977 mm x 677 mm x 300 mm



Dimensions



Release date: 2020-05-13 Date of issue: 2020-05-13 Filename: t153139_eng.pdf

Refer to "General Notes Relating to Pepperl+Fuchs Product Information".

Pepperl+Fuchs Group
www.pepperl-fuchs.com

USA: +1 330 486 0002
pa-info@us.pepperl-fuchs.com

Germany: +49 621 776 2222
pa-info@de.pepperl-fuchs.com

Singapore: +65 6779 9091
pa-info@sg.pepperl-fuchs.com

 **PEPPERL+FUCHS**

Dimension values see data table.

Image and drawing are generic for this device type and may deviate from the specific variant.

Legend	
A	Height
B	Width
C	Depth
D	Internal height
E	Internal width
F	Internal depth to surface mounting plate
G	Mounting holes distance, vertical
H	Mounting holes distance, horizontal
J	Mounting holes diameter
K	Maximum external dimension with mounting brackets
[A] ... [D]	Cable entry faces

Technical Data

Electrical specifications

Operating voltage	6.6 kV
Operating current	650 A max.
General information	Three equally spaced internal bus bars are mounted on insulators. The insulators are in turn mounted on polycarbonate offering excellent separation between phases. Six plastic cable support cleats are mounted on GFR support rails.
Number of busbars	3, each with 2 x M10 thru-holes with terminal lugs suitable for 70mm ² cable

Mechanical specifications

Enclosure cover	fully detachable
Safety	Padlockable hasp
Degree of protection	IP66
Cable entry	thru-holes direct through body or via gland plate
Gland plate on face(s)	B
Material	
Enclosure	1.5 mm AISI 316L, (1.4404) stainless steel
Gland plate	3 mm AISI 316L, (1.4404) stainless steel
Finish	electropolished
Seal	Silicone rubber, one piece
Mass	approx. 44 kg
Dimensions	
External dimension (A)	977 mm
External dimension (B)	677 mm
External dimension (C)	300 mm
Internal dimension (D)	928 mm
Internal dimension (E)	628 mm
Internal dimension (F)	279 mm
Mounting holes distance (G)	902 mm
Mounting holes distance (H)	727 mm
Mounting holes diameter (J)	11 mm
Maximum external dimension (K)	752 mm
Grounding	M10 internal/external brass grounding bolt

Ambient conditions

Ambient temperature	-50 ... 55 °C (-58 ... 131 °F)
---------------------	--------------------------------

Data for application in connection with hazardous areas

EU-type examination certificate	SIRA 00 ATEX 3206
Marking	⊕ II 2 GD Ex e IIC T6 Gb, Ex tb IIIC T85 °C Db

International approvals

Release date: 2020-05-13 Date of issue: 2020-05-13 Filename: t153139_eng.pdf

Refer to "General Notes Relating to Pepperl+Fuchs Product Information".

Pepperl+Fuchs Group
www.pepperl-fuchs.com

USA: +1 330 486 0002
pa-info@us.pepperl-fuchs.com

Germany: +49 621 776 2222
pa-info@de.pepperl-fuchs.com

Singapore: +65 6779 9091
pa-info@sg.pepperl-fuchs.com

 PEPPERL+FUCHS

Technical Data

IECEX approval	IECEX SIR 09.0109
EAC approval	RU C-DE.BH02.B.00016/18
Conformity	
Degree of protection	EN 60529
CE marking	0102
General information	
Supplementary information	EC-Type Examination Certificate, Statement of Conformity, Declaration of Conformity, Attestation of Conformity and instructions have to be observed where applicable. For information see www.pepperl-fuchs.com .