

Type Y & Z purge and pressurization system

11



- NFPA 70, NFPA 496, ISA 12.4 standards
- Optional alarm output indicates air lock failure
- Type Y system certified for Class I and Class II, Division 1 to Division 2
- Type Z system certified for Class I and Class II, Division 2 to nonhazardous area
- Class I enclosure volume up to 2 ft³
- Class II enclosure volume up to 10 ft³

11 Series

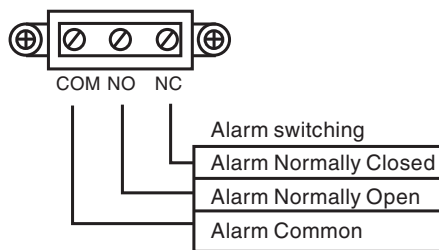


Function

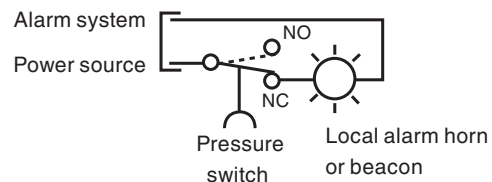
The model 11 is an enclosure pressurization or purging system that operates on a supply of compressed instrument air or inert gas. The system regulates and monitors pressure within sealed (protected) enclosure(s), in order to prevent combustible dust accumulation or remove and prevent flammable gas or vapor accumulations. In Class II areas, the system maintains a "safe" (1.0") pressure. In Class I areas, the system accomplishes four air exchanges and maintains a "safe" (0.25") pressure. These processes reduce the hazardous (classified) area rating within the enclosure(s), in accordance with the NEC - NFPA 70, Article 500, NFPA 496 and ISA 12.4.

Connection

Terminal block connections



Wiring configuration



Release date: 2022-10-10 Date of issue: 2022-10-10 Filename: t156443_eng.pdf

Technical Data

General specifications

| | |
|-----------------------|-----|
| Series | 11 |
| Hazardous environment | gas |

Refer to "General Notes Relating to Pepperl+Fuchs Product Information".

Technical Data

| Electrical specifications | |
|---------------------------|---|
| Connection | Terminal blocks |
| Output | |
| Output I | -WPS- |
| Output type | Switch contacts |
| Contact loading | 120 VAC @ 15 A |
| Pneumatic parameters | |
| Protective gas supply | instrument grade air or inert gas |
| Pressure requirement | 5 - 120 psi (With EPV-1 vent. Systems installed without vent must be equipped with redundant regulator set to 5 psi max.) |
| Safe pressure | Setpoint: Class I: 0.25" (6.35 mm); Class II: 1.0" (25.4 mm) Flow rate: 0.1 - 3.5 SCFH (2.8 - 99 l/hr) |
| Ambient conditions | |
| Ambient temperature | 4.4 ... 49 °C (39.9 ... 120.2 °F) |
| Mechanical specifications | |
| Connection type | System supply fitting: 1/4" tube fitting Enclosure supply fitting: 1/4" tube fitting Enclosure reference fitting: 1/4" tube fitting Switch conduit port size: 1/2" FPT |
| Material | Regulator body: zinc w/enamel finish Regulator handle: polycarbonate Enclosure pressure gauge: ABS plastic Tube fittings: 316 ss forged body Tubing: 316 ss 1/4" .035 welded System nameplate: silk screened Lexan® & ss Fastener hardware: alum. & stainless steel Mounting plate: 316 14 ga #3 brush ss EXP pressure switch body: anodized cast aluminum Enclosure warning nameplate: silk screened ss |
| Mass | 11-LPS-* 2.3 kg (5 lb) 11-WPS-* 4.5 kg (10 lb) |
| International approvals | |
| FM approval | Type Y LPS: Class I, Division 1, Groups A, B, C, D; Class II, Division 1, Groups F, G WPS: Class I, Division 1, Groups C, D; Class II, Division 1, Groups F, G Type Z LPS: Class I, Division 2, Groups A, B, C, D; Class II, Division 2, Groups F, G WPS: Class I, Division 2, Groups C, D; Class II, Division 2, Groups F, G |
| UL approval | |
| cULus | Type Y LPS: Class I, Division 1, Groups A, B, C, D; Class II, Division 1, Groups F, G WPS: Class I, Division 1, Groups C, D; Class II, Division 1, Groups F, G Type Z LPS: Class I, Division 2, Groups A, B, C, D; Class II, Division 2, Groups F, G WPS: Class I, Division 2, Groups C, D; Class II, Division 2, Groups F, G |

Release date: 2022-10-10 Date of issue: 2022-10-10 Filename: t156443_eng.pdf

Refer to "General Notes Relating to Pepperl+Fuchs Product Information".

Pepperl+Fuchs Group
www.pepperl-fuchs.com

USA: +1 330 486 0002
pa-info@us.pepperl-fuchs.com

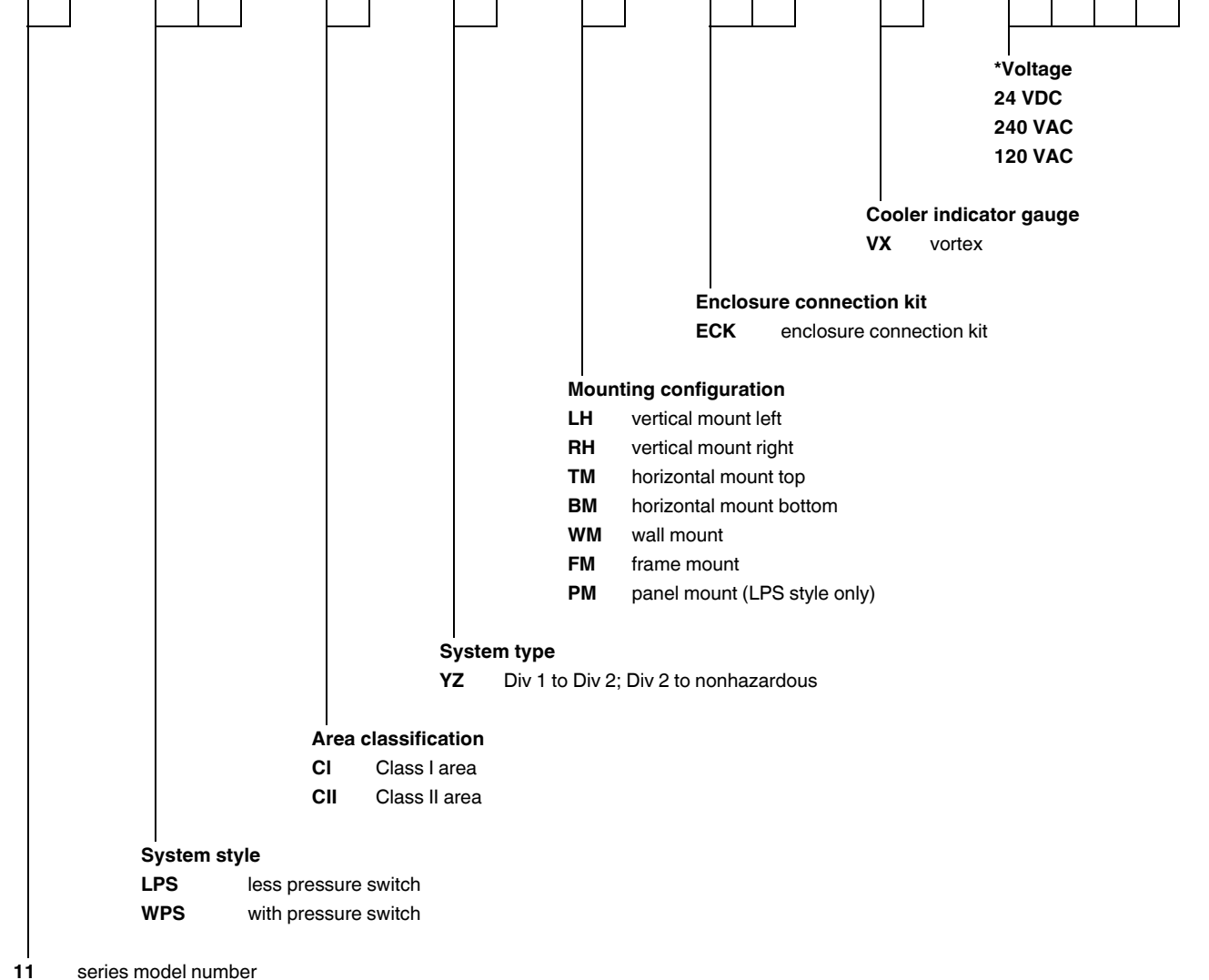
Germany: +49 621 776 2222
pa-info@de.pepperl-fuchs.com

Singapore: +65 6779 9091
pa-info@sg.pepperl-fuchs.com

 PEPPERL+FUCHS

Type Code

1 1 - L P S - C I - Y Z - L H - E C K - V X - 2 4 V D C



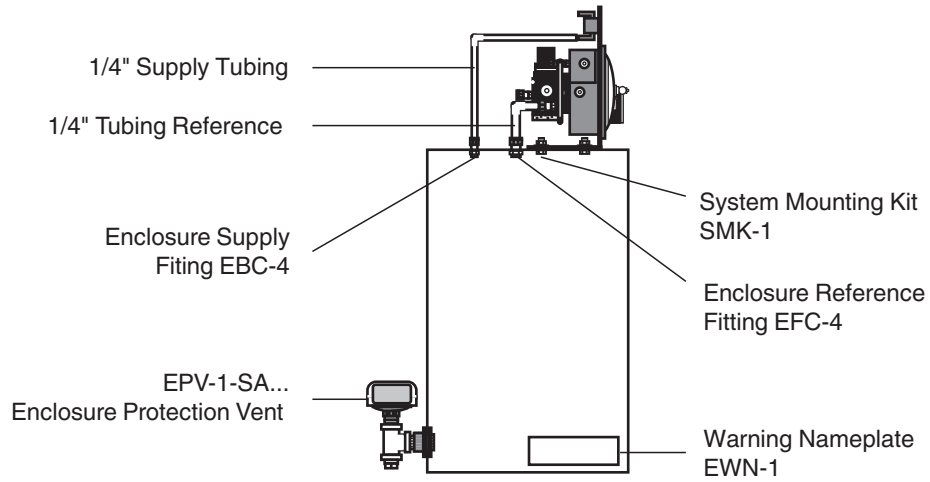
* only for WPS option

Additional Information

Assembly

Release date: 2022-10-10 Date of issue: 2022-10-10 Filename: t156443_eng.pdf

Refer to "General Notes Relating to Pepperl+Fuchs Product Information".



Dimensions

| | | | |
|---|-------------------|-----------------|-------------------|
| Overall system dimensions | | | |
| LPS / WPS | LH - left hand | RH - right hand | TM - top mount |
| Height | 6.25 / 10.75 | 6.25 / 10.75 | 6.25 / 8.5 |
| Width | 6 / 7.5 | 6 / 7.5 | 7.5 / 13.375 |
| Depth | 5.5 / 7.25 | 5.5 / 7.25 | 5.5 / 7.25 |
| | | | |
| LPS / WPS | BM - bottom mount | WM - wall mount | FM & PM - surface |
| Height | 6.25 / 8.5 | 6.25 / 10.75 | 8.25 / 12.75 |
| Width | 7.5 / 13.375 | 6 / 7.5 | 8 / 9.5 |
| Depth | 5.5 / 7.25 | 5.5 / 7.25 | 4.5 / 7 |
| <p>Dimensions in inches. Mounting dimensions available upon request. FM & PM panel cutout dimensions: LPS - 7.25 h x 7 w WPS - 11.75 h x 8.5 w.</p> <p>Height & Width dimensions reflect mounting plate measurements. Depth dimension reflects overall measurement of system, including components.</p> | | | |

Release date: 2022-10-10 Date of issue: 2022-10-10 Filename: t156443_eng.pdf

System Accessories

| | |
|---------------------------------|--|
| Factory installed fittings | |
| Part | Description |
| ECK-11 | Enclosure Connection Kit |
| Connection fittings | |
| Part | Description |
| EFC-4 | 1/4" flush connector |
| EBC-4 | 1/4" bulkhead connector |
| EPC-10 | 1/2" pipe connector |
| Additional items | |
| Part | Description |
| ILF-4 | 1/4" In-Line Filter |
| SMK-1 | Surface Mounting Kit (-LH-, -RH-, -TM-, -BM-, -WM- models) |
| SMK-4 | Surface Mounting Kit (-FM-, -PM- models) |
| SMK-6 | Surface Mounting Kit (-FM-, -PM- models) |
| PMK-1 | Pipe Mounting Kit |
| GCK | Gauge Conversion Kit |
| EPSK-1 | Explosion Proof Switch Kit (Class I areas) |
| EPSK-1A | Explosion Proof Switch Kit (Class I areas) |
| EPSK-2 | Explosion Proof Switch Kit (Class II areas) |
| EPSK-2A | Explosion Proof Switch Kit (Class II areas) |
| GPSK-1 | General-purpose Switch Kit (Class I areas) |
| GPSK-2 | General-purpose Switch Kit (Class II areas) |
| RAH | Remote Alarm Horn |
| RAB-1 | Div. 1 Remote Alarm Beacon |
| RAB-2 | Div. 2 Remote Alarm Beacon |
| LCK | "L" style conduit fitting kit |
| TCK | "T" style conduit fitting kit |
| Hex key regulator handles | |
| Part | Description |
| TR-10G | Tamper proof regulator with gauge |
| Warning nameplates | |
| Part | Description |
| EWN-1 | Class I enclosure warning |
| EWN-2 | Class II enclosure warning |
| ETW | Enclosure temperature warning |
| Installation & Operation Manual | |
| Part | Description |
| DOCT-1359 | Installation and Operation Manual |

Release date: 2022-10-10 Date of issue: 2022-10-10 Filename: t156443_eng.pdf

Refer to "General Notes Relating to Pepperl+Fuchs Product Information".

Pepperl+Fuchs Group
www.pepperl-fuchs.com

USA: +1 330 486 0002
pa-info@us.pepperl-fuchs.com

Germany: +49 621 776 2222
pa-info@de.pepperl-fuchs.com

Singapore: +65 6779 9091
pa-info@sg.pepperl-fuchs.com

