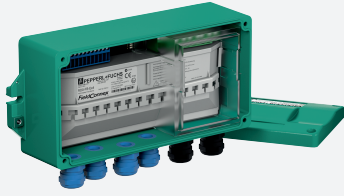


# FieldBarrier®

## F2D0-FB-Ex4.\*



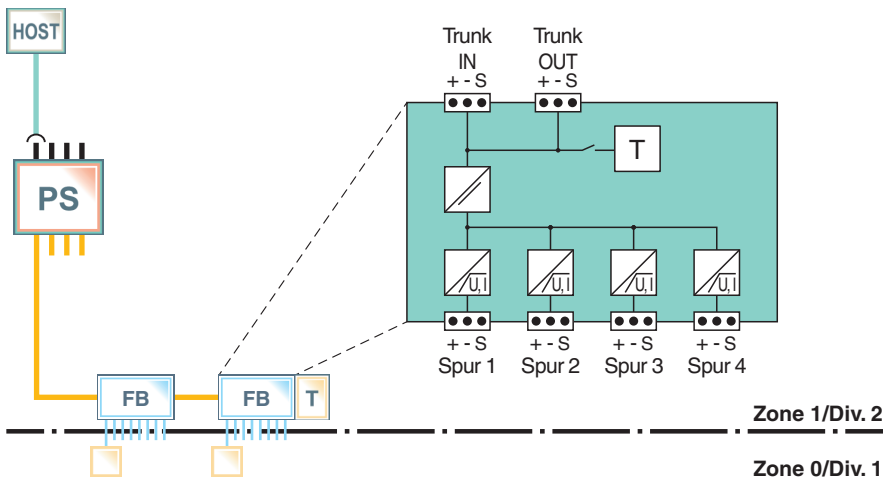
- 4 outputs Ex ia IIC
- FieldBarrier in Zone 1/Div. 2
- Instruments in Zone 0...1/Div. 1
- Short circuit current limitation per output
- For FOUNDATION Fieldbus H1 and PROFIBUS PA
- Power, Com, and Error LEDs
- Supports FISCO and Entity
- Integrated cable tie-downs



### Function

The FieldBarrier, a device coupler in an aluminum housing, connects 4 instruments with intrinsic safety (Ex ia/Ex ib) and short circuit current limitation at each output. This ensures proper operation of the segment during faults or hot work at the spur. The F2 housing is made of sturdy cast aluminum for installation in rough environments. High power on the trunk enables maximum cable lengths and device count in any hazardous area. The integrated fieldbus terminator features high-availability design and is selectable. A choice of fixed screw or spring output terminals connect 1 device each. LEDs simplify troubleshooting and help decrease repair time. Hard and capacitive grounding and shielding concepts can be chosen via jumper.

### Connection



Release date: 2023-06-21 Date of issue: 2023-06-21 Filename: t157030\_eng.pdf

### Technical Data

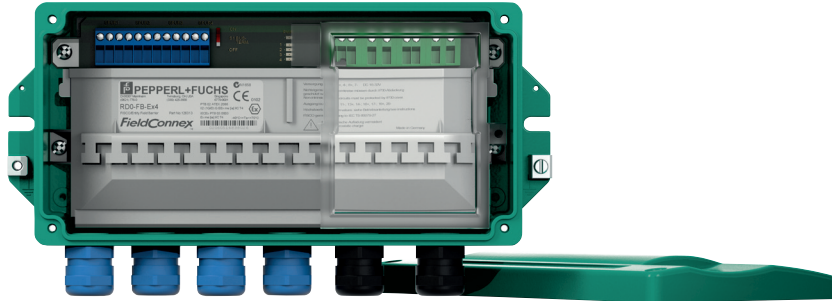
General specifications	
Design / Mounting	Outside installation
Electronic component	FieldBarrier RD0-FB-Ex4.* For technical data on installed electronic component see datasheet.
Conformity	
Degree of protection	EN 60529
Shock resistance	EN 60068-2-27
Vibration resistance	EN 60068-2-6
Ambient conditions	
Ambient temperature	see table 2
Storage temperature	-40 ... 85 °C (-40 ... 185 °F)

Refer to "General Notes Relating to Pepperl+Fuchs Product Information".

## Technical Data

<b>Mechanical specifications</b>	
Enclosure cover	detachable cover with retaining screws
Housing material	EN 1780-1 46000 , ISO AISi9Cu3(Fe) , anodized
Degree of protection	IP67
Cable entry	cable gland and stopping plug options see separate table
<b>Material</b>	
Housing	ALSi12 (Cu) DIN1725 (Si 1.2%), anodized
Surface	painted green
Seal	silicone , one-piece
Mass	3350 g
Dimensions	see figure 1 and see table 2
Mounting	thru-holes Ø6.5 mm
Grounding	M5 threading for grounding bolt
<b>Data for application in connection with hazardous areas</b>	
EU-type examination certificate	PTB 02 ATEX 2086
Marking	Ⓜ II 2 (1) G Ex eb mb [ia Ga] IIC T4 Gb , Ⓜ II 2 (1) D Ex tb [ia Da] IIIC 130 °C Db
Directive conformity	
Directive 2014/34/EU	EN IEC 60079-0:2018+AC:2020 , EN 60079-7:2015+A1:2018 , EN 60079-11:2012 , EN 60079-18:2015+A1:2017 , EN 60079-31:2014
<b>International approvals</b>	
FM approval	CoC 3015728
Control drawing	116-0266
Approved for	Class I, Division 2, Groups A, B, C, D / Class I, Zone 2, AEx nA [ia] IIC T4
CSA approval	CoC 1592754
Control drawing	116-0266
Approved for	Class I, Division 2, Groups A, B, C, D / Class I, Zone 2, Ex nA [ia] IIC T4
IECEx approval	IECEx PTB 03.0003
Approved for	Ex eb mb [ia Ga] IIC T4 Gb , Ex tb [ia Da] IIIC 130 °C Db
<b>Certificates and approvals</b>	
FOUNDATION Fieldbus	FF-846
Marine approval	DNV A-14038
<b>General information</b>	
Supplementary information	EC-Type Examination Certificate, Statement of Conformity, Declaration of Conformity, Attestation of Conformity and instructions have to be observed where applicable. For information see <a href="http://www.pepperl-fuchs.com">www.pepperl-fuchs.com</a> .

## Assembly



Release date: 2023-06-21 Date of issue: 2023-06-21 Filename: t157030\_eng.pdf

Refer to "General Notes Relating to Pepperl+Fuchs Product Information".

Pepperl+Fuchs Group  
www.pepperl-fuchs.com

USA: +1 330 486 0002  
pa-info@us.pepperl-fuchs.com

Germany: +49 621 776 2222  
pa-info@de.pepperl-fuchs.com

Singapore: +65 6779 9091  
pa-info@sg.pepperl-fuchs.com

 **PEPPERL+FUCHS**

**Additional Information**

**Type Code**

**Type of housing**

**F2D0** Field housing, aluminum, IP67

**Type of device**

**FB** FieldBarrier, 4 outputs Ex ia, trunk Ex e

**Type of protection**

**Ex** intrinsically safe outputs Ex ia

**Number of outputs**

4

**Fieldbus type (omit if cable glands are used)**

**FF** Field housing with plug connection for FOUNDATION Fieldbus

**PA** Field housing with plug connection for PROFIBUS PA

**Connection of trunk (omit if identical with the type code in G)**

**CG** Cable gland, plastic, M20

**CGB** Cable gland, nickel plated brass, M20

**CGS** Cable gland, stainless steel, M20

**CGAB** Cable gland for armored cables, nickel plated brass, M20

**Connection of output cable**

**COM** Variant without field housing, plug-in terminals

**CG** Cable gland, plastic, M16

**CGB** Cable gland, nickel plated brass, M16

**CGS** Cable gland, stainless steel, M16

**CGAB** Cable gland for armored cables, nickel plated brass, M20

**CG2** Cable gland, plastic, M20

**CGS2** Cable gland, stainless steel, M20

**M12B** Plug connection, nickel plated brass, M12 x 1

**M12S** Plug connection, stainless steel, M12 x 1

<b>F2D0</b>	-	<b>FB</b>	-	<b>Ex</b>	<b>4</b>	.	.	.	.
<b>A</b>		<b>B</b>		<b>C</b>	<b>D</b>		<b>E</b>		<b>F</b>
									<b>G</b>

**Example:**

F2D0-FB-EX4.PA.CG.M12B: FieldBarrier with aluminum housing, connection of trunk, cable gland plastic M20, 4 intrinsically safe outputs, plug connection nickel plated brass M12, pinout for PROFIBUS PA.

**Note:**

In order to check the availability of individual variants, contact your Pepperl+Fuchs representative.

Release date: 2023-06-21 Date of issue: 2023-06-21 Filename: t157030\_eng.pdf

**Dimensions and Assembly**

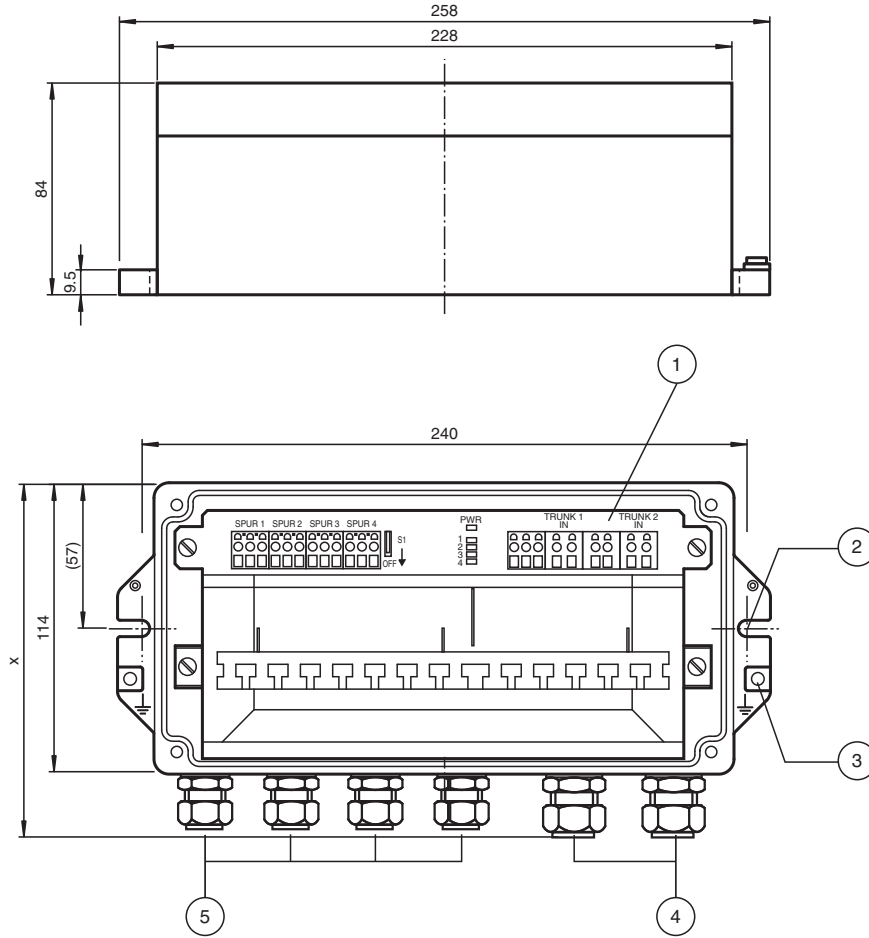


Figure 1: F2D0-FB-Ex4.\*

All dimensions in millimeters.

- 1 For details on the component see datasheet on RD0-FB-\*
- 2 Notch for fixing the device housing with M6 screws
- 3 Grounding point
- 4 Trunk IN, trunk OUT, hexagon screws to be fixed with a spanner, size AF2
- 5 Spur outputs 1-4, hexagon screws to be fixed with a spanner, size AF1
- X Height X, see Electrical Connection table 2

**Installation**

**Fieldbus Interface**

Trunk voltage	Spur load condition					
	No load	1 x 20 mA	4 x 20 mA	4 x 43 mA	3 x 20 mA, 1 x short circuit	4 x short circuit
16 V	31 mA	44 mA	115 mA	221 mA	140 mA	241 mA
32 V	26 mA	38 mA	77 mA	122 mA	84 mA	135 mA

Table: Maximum rated trunk input current

Release date: 2023-06-21 Date of issue: 2023-06-21 Filename: t157030\_eng.pdf

Refer to "General Notes Relating to Pepperl+Fuchs Product Information".

## Electrical Connection

Terminals	Function
10+, 13+, 16+, 19+	Spur Ex ia +
11-, 14-, 17-, 20-	Spur Ex ia -
12s, 15s, 18s, 21s	Spur shield
3+	Trunk 1, Ex e +
4-	Trunk 1, Ex e -
5s	Trunk 1, shield
7-	Trunk 2, Ex e -
8+	Trunk 2, Ex e +
6s	Trunk 2, shield
1B	Spur, shield jumper
2B	Trunk, shield jumper
PA	Equipotential bonding

Table: Connection assignment of the terminals

The terminals 5s and 6s are connected internally with terminal 2B.

The terminals 12s, 15s, 18s and 21s are connected internally with terminal 1B.

The terminal PA is connected to the housing earthing point (versions with field housing only).

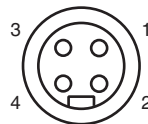
Capacitive grounding is delivery standard for the cable shields. By bridging 1B and 2B the trunk shields can be hard-grounded.

## Pinout of Plug Connections

Outputs:



M12 x 1



7/8"

Pin	PROFIBUS PA	FOUNDATION Fieldbus
1	PA+	Data-
2	n.c. (GND)	Data+
3	PA-	Shield
4	Shield	n.c. (GND)

Note for connector variants: Outputs are always sockets (female).

## Product Versions

## Variations of Cable Connections, Housing Types, and Temperature Ranges

Type of connection, identification F, G	Type of cable connection	F2 housing, outside dimension "X" (mm)	SW1 (mm)	SW2 (mm)	Temperature range (°C)
CG	Terminals, cable glands plastic	140	20	24	-30 ... 70
CGB	Terminals, cable glands nickel plated brass	140	20	24	-40 ... 70
CGS	Terminals, cable glands stainless steel	140	22	24	-40 ... 70
CGAB	Terminals, cable glands nickel plated brass for armored cable	160	24	24	-40 ... 70
CG2	Terminals, cable glands plastic	140	24	24	-30 ... 70
CGS2	Terminals, cable glands stainless steel	140	24	24	-40 ... 70
M12B	Plug connection M12 x 1, nickel plated brass	135	n.a.	n.a.	-25 ... 70
M12S	Plug connection M12 x 1, stainless steel	135	n.a.	n.a.	-25 ... 70
7/8S	Plug connection 7/8", stainless steel	135	n.a.	n.a.	-40 ... 70

## Cable Diameter depending on Cable Gland

Type of connection identification F, G	Output cable diameter (mm)	Trunk cable diameter (mm)
CG	5 ... 10	7 ... 12
CGB	5 ... 10	7 ... 12
CGS	5 ... 10	7 ... 12

Release date: 2023-06-21 Date of issue: 2023-06-21 Filename: f157030\_eng.pdf

Refer to "General Notes Relating to Pepperl+Fuchs Product Information".

Pepperl+Fuchs Group  
www.pepperl-fuchs.com

USA: +1 330 486 0002  
pa-info@us.pepperl-fuchs.com

Germany: +49 621 776 2222  
pa-info@de.pepperl-fuchs.com

Singapore: +65 6779 9091  
pa-info@sg.pepperl-fuchs.com

 PEPPERL+FUCHS

Type of connection identification F, G	Output cable diameter (mm)	Trunk cable diameter (mm)
CGAB	8.5 ... 16 outside 6 ... 12 inside 0 ... 1.25 armor	8.5 ... 16 outside 6 ... 12 inside 0 ... 1.25 armor
CG2	7 ... 12	7 ... 12
CGS2	7 ... 12	7 ... 12

## Accessories

Socket M12 x 1:	stopping plug	VAZ-V1-B
Socket M20:	stopping plug	CG EX PLUG MT 20X
Socket 7/8":	stopping plug	V9-R-F-COV

## Spare Parts

Electronic spare part for F2D0-FB-Ex4.\* and F6D0-FB-Ex4.\*

- SPD0-FB-Ex4, without housing, plastic cover, and plastic cord