



Mounting Options "StandardLine" VisuNet GMP*

- Mechanically designed to carry VisuNet GMP units
- Ready for mounting VisuNet enclosures
- Ideally positioned cable glands for all necessary connections

Function

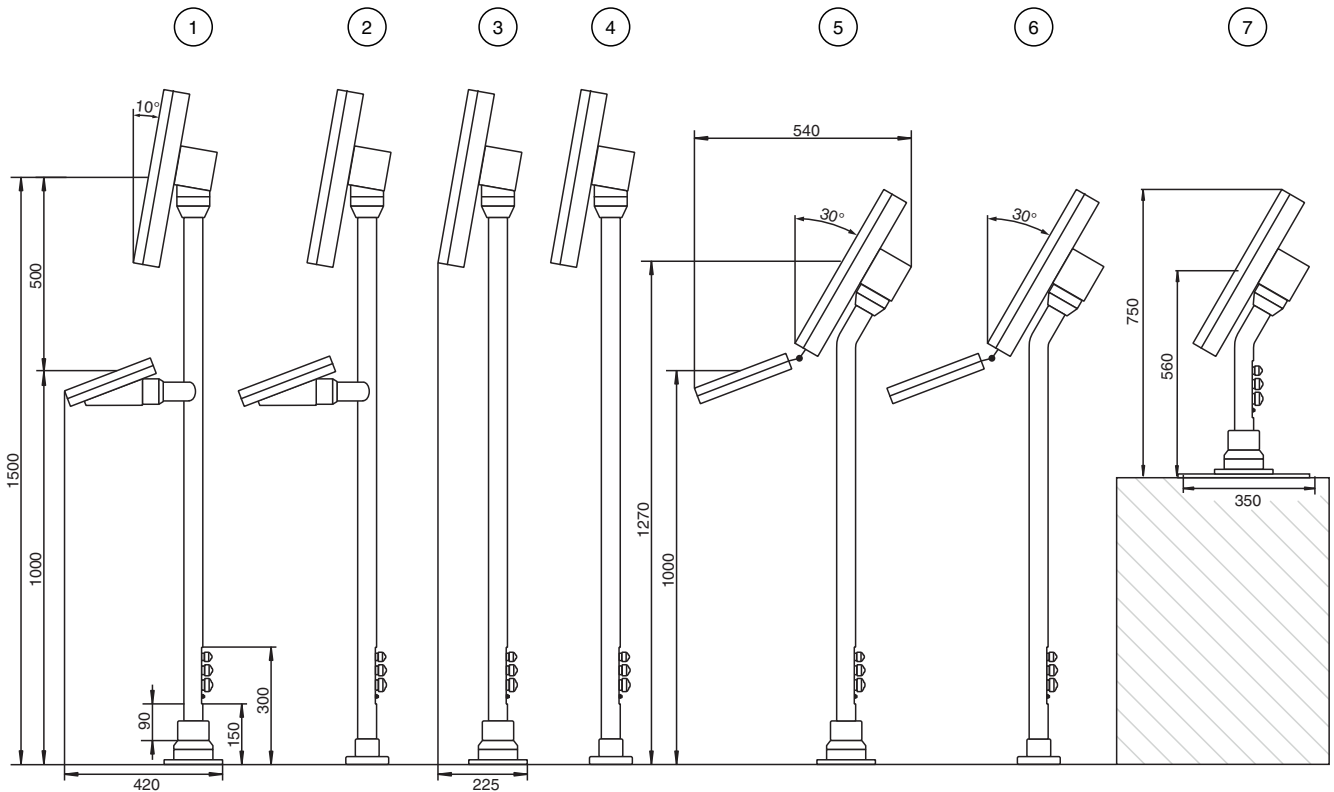
Perfectly adapted to the individual product lines of the VisuNet product family, there are various mounting options available for operator workstations by Pepperl+Fuchs. For the product line VisuNet GMP, Pepperl+Fuchs offers StandardLine mounting options.

Technical Data

Mechanical specifications	
Height	pedestal : 560 ... 1500 mm
Cable entry	1 x M16, 1 x M20, 1 x M25 cable glands
Material	Stainless steel
Mass	approx. 13 kg

Ordering Information

Pedestals



Order Code	Specification	Part Number
1 PEDESTAL1-150-1V-KP-G-T-304	<ul style="list-style-type: none"> Swivel-head pedestal (approx. 350°) Height 1500 mm, Ø 48 mm Pipe to mount keyboard Monitor 10° tilted With M16, M20, M25 cable glands Stainless Steel 304/1.4301 	217987
2 PEDESTAL1-150-1V-KP-G-F-304	<ul style="list-style-type: none"> Fixed pedestal Height 1500 mm, Ø 48 mm Pipe to mount keyboard Monitor 10° tilted With M16, M20, M25 cable glands Stainless Steel 304/1.4301 	217986
3 PEDESTAL1-150-1V-NP-G-T-304	<ul style="list-style-type: none"> Swivel-head pedestal (approx. 350°) Height 1500 mm, Ø 48 mm Monitor 10° tilted With M16, M20, M25 cable glands Stainless Steel 304/1.4301 	217991
4 PEDESTAL1-150-1V-NP-G-F-304	<ul style="list-style-type: none"> Fixed pedestal Height 1500 mm, Ø 48 mm Monitor 10° tilted With M16, M20, M25 cable glands Edelstahl 304/1.4301 	217990
5 PEDESTAL1-130-3V-NP-G-T-304	<ul style="list-style-type: none"> Swivel-head pedestal (approx. 350°) Height 1300 mm, Ø 48 mm Monitor 30° tilted With M16, M20, M25 cable glands Stainless Steel 304/1.4301 	217995
6 PEDESTAL1-130-3V-NP-G-F-304	<ul style="list-style-type: none"> Fixed pedestal Height 1300 mm, Ø 48 mm Monitor 30° tilted With M16, M20, M25 cable glands Stainless Steel 304/1.4301 	217994

Release date: 2021-11-09 Date of issue: 2021-11-09 Filename: t158198_eng.pdf

Refer to "General Notes Relating to Pepperl+Fuchs Product Information".

Pepperl+Fuchs Group
www.pepperl-fuchs.com

USA: +1 330 486 0002
pa-info@us.pepperl-fuchs.com

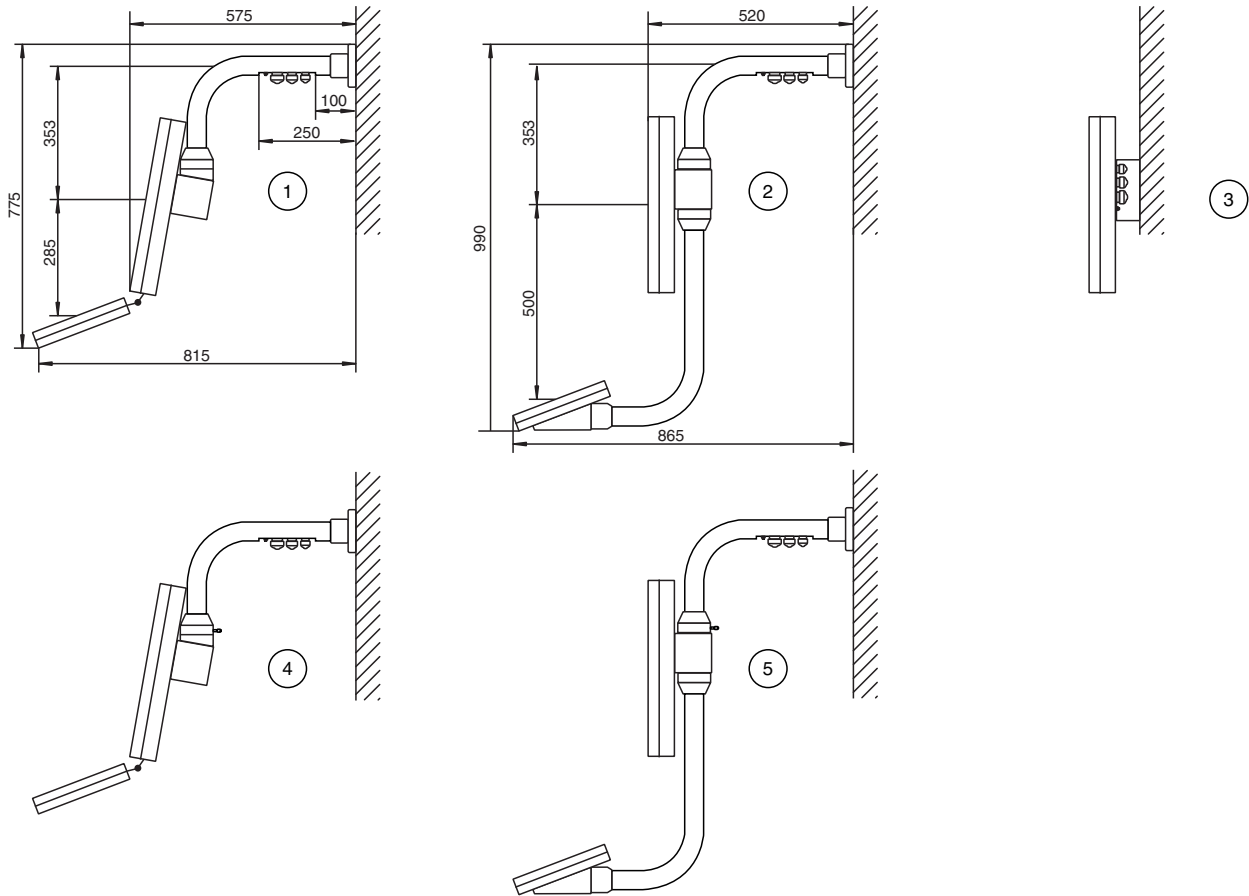
Germany: +49 621 776 2222
pa-info@de.pepperl-fuchs.com

Singapore: +65 6779 9091
pa-info@sg.pepperl-fuchs.com

PEPPERL+FUCHS

	Order Code	Specification	Part Number
7	PEDESTAL1-56-3V-NP-G-T-304	<ul style="list-style-type: none"> Swivel-head pedestal (approx. 350°), short version Height 560 mm, Ø 48 mm Monitor 30° tilted With M16, M20, M25 cable glands Stainless Steel 304/1.4301 	219096

Wall Mounting Options

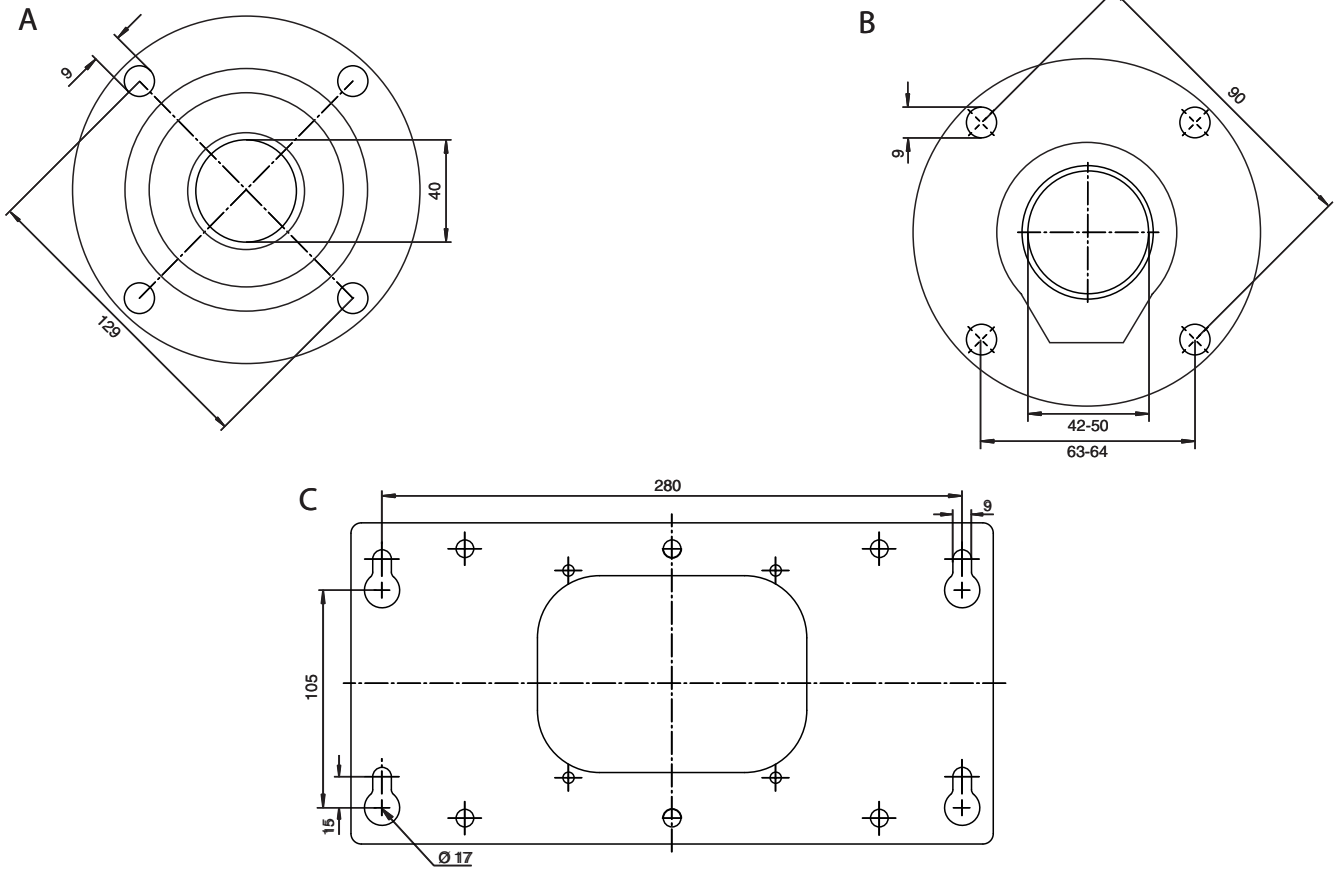


	Order Code	Specification	Part Number
1	WALL-ARM1-55-1V-NT-G-F-304	<ul style="list-style-type: none"> Fixed wall mount Ø 48 mm Monitor 10° tilted With M16, M20, M25 cable glands Stainless Steel 304/1.4301 	217998
2	WALL-ARM1-55-0V-KT-G-F-304	<ul style="list-style-type: none"> Fixed pedestal Ø 48 mm Pipe to mount keyboard With M16, M20, M25 cable glands Stainless Steel 304/1.4301 	217996
3	WALL-BRACKET1-0-0V-G-304	<ul style="list-style-type: none"> Wall bracket VESA 100 With M16, M20, M25 cable glands Stainless Steel 304/1.4301 	218000
4	WALL-ARM1-55-1V-NT-G-T-304	<ul style="list-style-type: none"> Swivel-head wall mount (approx. 350°) Ø 48 mm Monitor 10° tilted With M16, M20, M25 cable glands Stainless Steel 304/1.4301 	217999
5	WALL-ARM1-55-0V-KT-G-T-304	<ul style="list-style-type: none"> Swivel-head pedestal (approx. 350°) Ø 48 mm Pipe to mount keyboard With M16, M20, M25 cable glands Stainless Steel 304/1.4301 	217997

Release date: 2021-11-09 Date of issue: 2021-11-09 Filename: t158198_eng.pdf

Hole Pattern

StandardLine Pedestals /Wall Mount



- A – StandardLine pedestal, turnable
- B – StandardLine pedestal, fix
- C – Wall mount

Release date: 2021-11-09 Date of issue: 2021-11-09 Filename: t158198_eng.pdf