



Mounting Options "StandardLine"

VisuNet EX2 GMP*

- Mechanically designed to carry VisuNet Ex2 GMP units
- Ready for mounting VisuNet enclosures
- Ideally positioned cable glands for all necessary connections

Function

Perfectly adapted to the individual product lines of the VisuNet product family, there are various mounting options available for operator workstations by Pepperl+Fuchs. For the product line VisuNet EX2 GMP, Pepperl+Fuchs offers StandardLine mounting options.

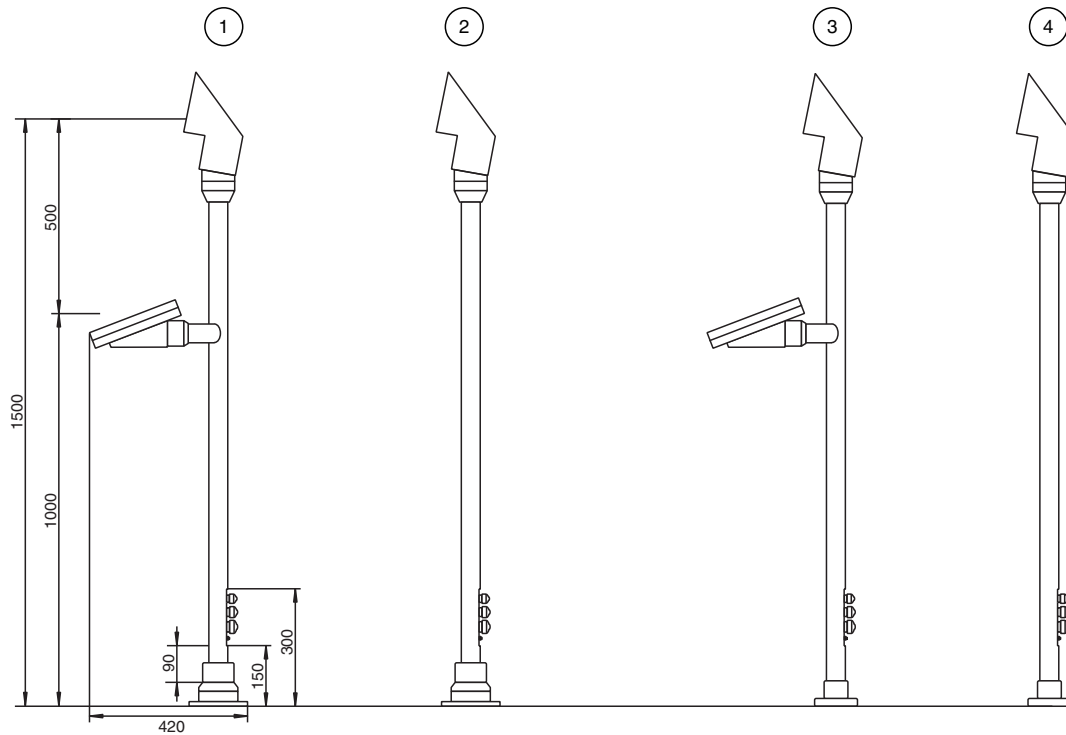
Technical Data

Mechanical specifications

Height	1500 mm
Cable entry	1 x M16, 1 x M20, 1 x M25 cable glands
Material	Stainless steel
Mass	approx. 13 kg

Ordering Information

Pedestals

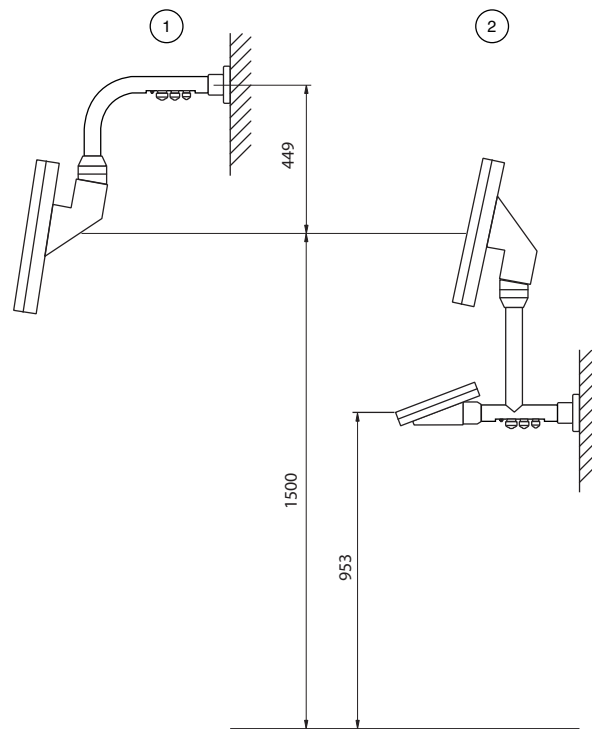


	Order Code	Specification	Part Number
1	PEDESTAL1-150-1P-KP-G-T-304	<ul style="list-style-type: none"> Swivel-head pedestal (approx. 350°) Pipe to mount keyboard Monitor 10° tilted EX2 adapter mounted With M16, M20, M25 cable glands Stainless Steel 304/1.4301 	228718
	PEDESTAL-1-150-1P-KP-G-T-S3-304	<ul style="list-style-type: none"> Swivel-head pedestal (approx. 350°) Pipe to mount keyboard With socket for connecting wired handheld barcode readers Monitor 10° tilted EX2 adapter mounted With M16, M20, M25 cable glands Stainless Steel 304/1.4301 	247000
2	PEDESTAL1-150-1P-NP-G-T-304	<ul style="list-style-type: none"> Swivel-head pedestal (approx. 350°) Monitor 10° tilted EX2 adapter mounted With M16, M20, M25 cable glands Stainless Steel 304/1.4301 	228721
	PEDESTAL-1-150-1P-NP-G-T-S3-304	<ul style="list-style-type: none"> Swivel-head pedestal (approx. 350°) With socket for connecting wired handheld barcode readers Monitor 10° tilted EX2 adapter mounted With M16, M20, M25 cable glands Stainless Steel 304/1.4301 	247003
3	PEDESTAL1-150-1P-KP-G-F-304	<ul style="list-style-type: none"> Fixed pedestal Pipe to mount keyboard Monitor 10° tilted EX2 adapter mounted With M16, M20, M25 cable glands Stainless Steel 304/1.4301 	240693
4	PEDESTAL1-150-1P-NP-G-F-304	<ul style="list-style-type: none"> Fixed pedestal Monitor 10° tilted EX2 adapter mounted With M16, M20, M25 cable glands Stainless Steel 304/1.4301 	240689

Release date: 2021-11-09 Date of issue: 2021-11-09 Filename: t158199_eng.pdf

Order Code	Specification	Part Number
MOUNTING-BRACKET VisuNet Z2-10	<ul style="list-style-type: none"> EX2 adapter for VisuNet EX2 GMP for use in zone 2/22 Suitable for 48 mm pedestal tubes Stainless Steel 304/1.4301 Screws and sealings included 	230675

Wall Mounts

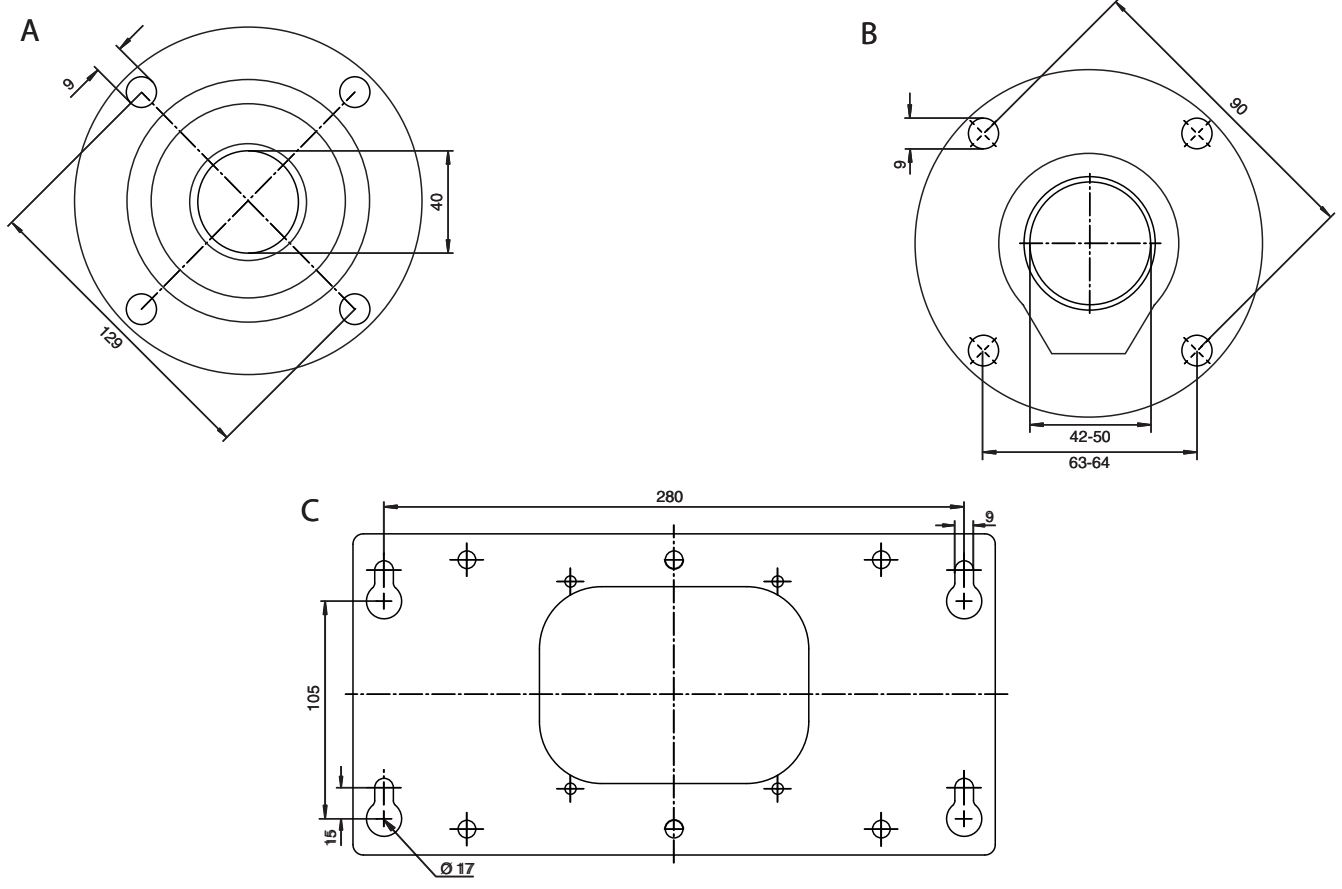


Order Code	Specification	Part Number
1	<ul style="list-style-type: none"> Fixed wall mount Monitor 10° tilted EX2 adapter mounted With M16, M20, M25 cable glands Stainless Steel 304/1.4301 	249760
	<ul style="list-style-type: none"> Swivel-head wall mount (approx. 350°) Monitor 10° tilted EX2 adapter mounted With M16, M20, M25 cable glands Stainless Steel 304/1.4301 	249761
2	<ul style="list-style-type: none"> Fixed wall mount Pipe to mount keyboard Monitor 10° tilted EX2 adapter mounted With M16, M20, M25 cable glands Stainless Steel 304/1.4301 	257443

Release date: 2021-11-09 Date of issue: 2021-11-09 Filename: t158199_eng.pdf

Hole Pattern

StandardLine Pedestals /Wall Mount



- A – StandardLine pedestal, turnable
- B – StandardLine pedestal, fix
- C – Wall mount

Release date: 2021-11-09 Date of issue: 2021-11-09 Filename: t158199_eng.pdf