

Panel mount KVM monitor

VisuNet KM8222



- 22 inch TFT display w/ optional touch screen
- Class I/Div 2, Class II/Div 2, ATEX/IECEX Zone 2, and ATEX Zone 22 approved
- Widescreen 16:10 aspect ratio
- Compression fit touchscreen ensures reliable continuous use
- Designed to withstand shock and vibration
- Extended temperature range for indoor/outdoor use
- Connects to host PC via internal KVM extender

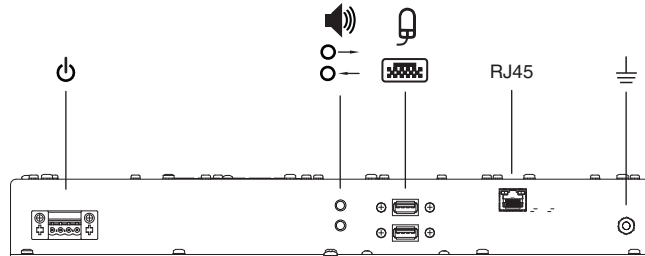
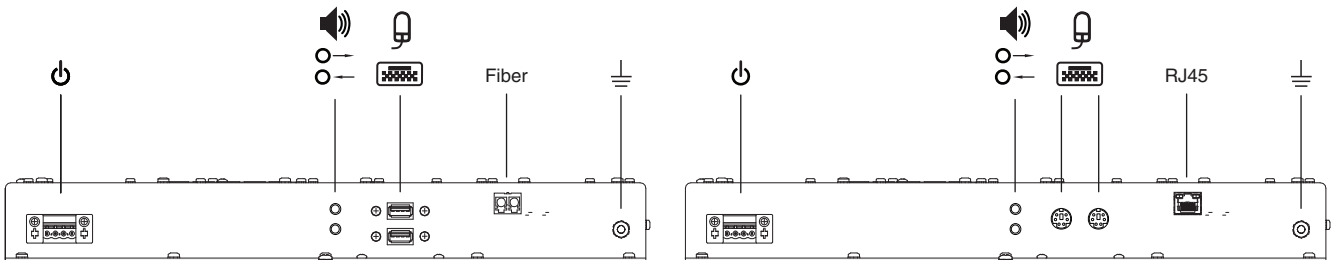
Industrial monitor designed for continuous use in harsh environments



Function

The KM8222 panel mount industrial monitor is designed for continuous use in harsh environments commonly found in industrial manufacturing, oil & gas, and chemical applications. This 22" monitor features an optional touchscreen and choice of three KVM types. The KVM monitor allows the display to connect to the host PC up to 400 m (1300 ft). The front bezel is rated Type 4/4X.

Connection



Release date: 2023-05-23 Date of issue: 2023-05-23 Filename: t159323_eng.pdf

Refer to "General Notes Relating to Pepperl+Fuchs Product Information".

Pepperl+Fuchs Group
www.pepperl-fuchs.com

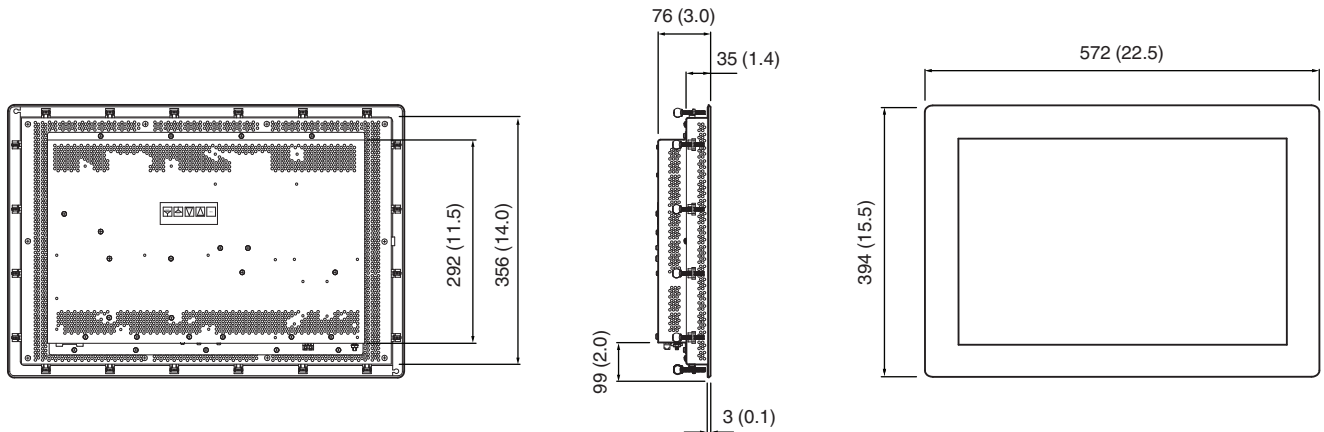
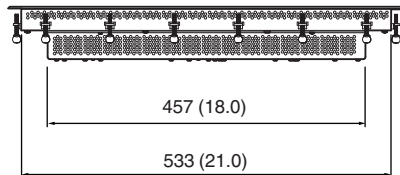
USA: +1 330 486 0002
pa-info@us.pepperl-fuchs.com

Germany: +49 621 776 2222
pa-info@de.pepperl-fuchs.com

Singapore: +65 6779 9091
pa-info@sg.pepperl-fuchs.com

PEPPERL+FUCHS

Dimensions



Technical Data

General specifications	
Distance	Transmitter "K4": 120 m (400 ft) Transmitter "K5": 200 m (650 ft), 62.5 μ multimode; 400 m (1300 ft), 50.0 μ multimode
Supply	
Connection	Monitor: power, CAT5, fiber (LC)
Power consumption	Main unit: 60 W max, 20-30 VDC Transmitter "K4": 5 VDC @ 10 W, max Transmitter "K5": 5 VDC @ 10 W, max
Indicators/operating means	
Indicators	Transmitter "K4": video check LED; front panel - power Transmitter "K5": video check LED; front panel - power
Display	
Screen diagonal	22 inch (55.9 cm)
Response time	4 ms
Resolution	1680 x 1050
Color depth	24 bit (16.7 M) color
Contrast	1000:1
Brightness	250 cd/m ² (nit)
Reading angle	160° in all directions
Life span	back lamp life: 50,000 hrs typical half life
Input devices	Transmitter "K4": 29-pin DVI-D; 2 x USB Type B (keyboard, mouse/touchscreen); 1 x RS232 (touchscreen); 1 x RJ45 (CAT5e/6) Transmitter "K5": 29-pin DVI-D; 1 x USB Type B (keyboard, mouse/touchscreen); 1 x RS232 (touchscreen); fiber optic (multimode) LC connectors
Touchscreen	5-wire resistive

Release date: 2023-05-23 Date of issue: 2023-05-23 Filename: t1159323_eng.pdf

Refer to "General Notes Relating to Pepperl+Fuchs Product Information".

Technical Data

Serial data	
Baud rate	19.2 KBd max
Flow control	RTS, CTS, DTR, DSR
Directive conformity	
Electromagnetic compatibility	
Directive 2014/30/EU	EN 61326-1:2013
Low voltage	
Directive 73/23/EEC	EN60950 (KVM transmitters)
Ambient conditions	
Operating temperature	-20 ... 50 °C (-4 ... 122 °F)
Storage temperature	-20 ... 60 °C (-4 ... 140 °F)
Relative humidity	0 ... 90% (noncondensing)
Shock resistance	30g, 11 ms, all axis
Vibration resistance	5 ... 100 Hz 1G, 12 m/s ²
Mechanical specifications	
Degree of protection	Type 4X (stainless steel) Type 4 (painted steel) IP66
Material	Bezel: black painted steel or 316L satinless steel
Installation	panel mount panel cutout: 536 x 358 mm (21.1 x 14.1 inch)
Mass	Main unit: 15.9 kg (35 lb) Transmitter "K4": 0.3 kg (0.7 lbs) Transmitter "K5": 0.3 kg (0.7 lbs)
Dimensions	Main unit: 572 x 394 x 76 mm (22.5 x 15.5 x 3.0 inch) Transmitter "K4": 104 x 135 x 36 mm (4.1 x 5.3 x 1.4 inch) Transmitter "K5": 104 x 135 x 36 mm (4.1 x 5.3 x 1.4 inch)
Data for application in connection with hazardous areas	
Certificate	DEMKO 12 ATEX 1107369X Ⓢ II 3G Ex nA nC IIC T4 Gc Ⓢ II 3G Ex nA IIC T4 Gc
Certificate	PF15CERTB098X Ⓢ II 3D Ex tc IIIC T85°C Dc ("B1" version only)
Directive conformity	
Directive 2014/34/EU	EN 60079-0:2012/A11:2013 EN 60079-15:2010 EN 60079-31:2014 ("B1" version)
IECEx approval	IECEx UL 12.0028X
International approvals	
UL approval	UL Listing (E190294) for Class I Div 2, Groups A, B, C, D Class II Div 2, Groups F, G UL Listing (E185778) for Ordinary Locations

Release date: 2023-05-23 Date of issue: 2023-05-23 Filename: t159323_eng.pdf

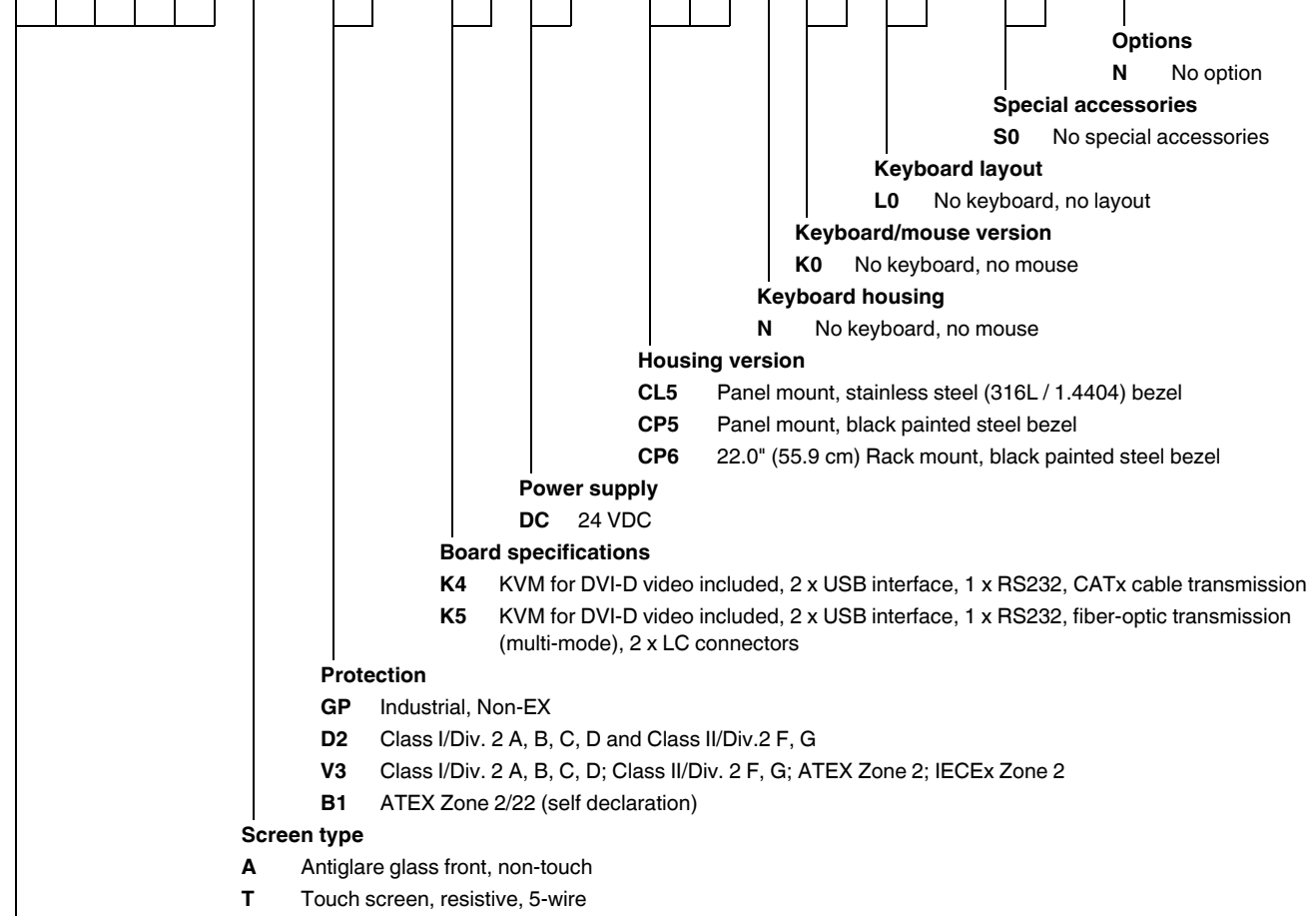
Refer to "General Notes Relating to Pepperl+Fuchs Product Information".

Pepperl+Fuchs Group
www.pepperl-fuchs.comUSA: +1 330 486 0002
pa-info@us.pepperl-fuchs.comGermany: +49 621 776 2222
pa-info@de.pepperl-fuchs.comSingapore: +65 6779 9091
pa-info@sg.pepperl-fuchs.com

PEPPERL+FUCHS

Type Code

K M 8 2 2 2 A - G P - K 3 D C - C L 5 N K 0 L 0 - S 0 - N



KM8222 KVM monitor, 22.0" (55.9cm), WSXGA (1680 x 1050 pixels), internal KVM

Release date: 2023-05-23 Date of issue: 2023-05-23 Filename: t159323_eng.pdf