



Incremental rotary encoder

RVI70E

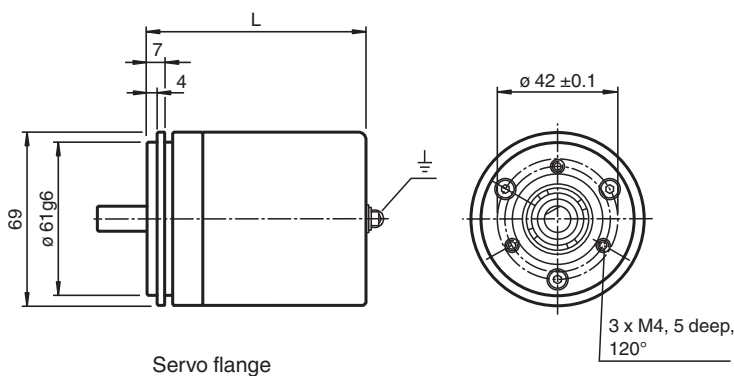
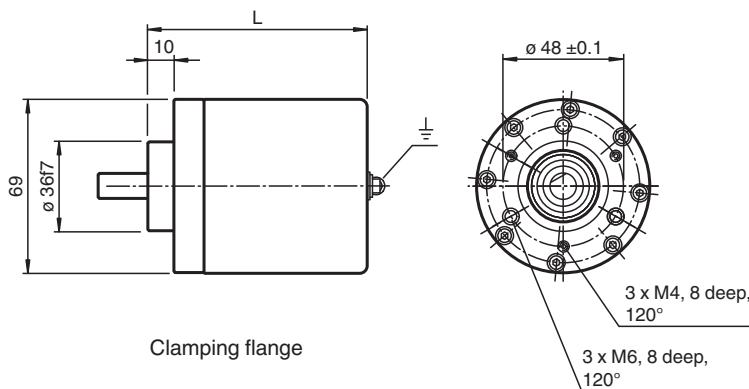
- Up to 5000 ppr
- Flameproof enclosure
- Worldwide certification: ATEX, IECEx, KOSHA, CCC
- Degree of protection IP66 / IP67
- High shaft load capacity
- Temperature range -40 ... 158 °F (-40°C to 70°C)
- Suitable for offshore applications



Function

RVI70E Series incremental rotary encoders are enclosed in a pressure-resistant housing. The robust bearing design allows high shaft loads to be absorbed, enabling this series of rotary encoder to deliver reliability and precision over its full service life. The compact design ensures efficient use of installation space. The high degree of protection along with the seawater-resistant housing make the RVI70E ideal for use in tough environmental conditions. The temperature range of -40 °C to +70 °C allows the encoder to be used in a wide variety of climatic conditions. The wide range of variants available mean the RVI70E Series is suitable for use in a host of applications.

Dimensions



Release date: 2024-10-24 Date of issue: 2024-10-24 Filename: t164178_eng.pdf

Refer to "General Notes Relating to Pepperl+Fuchs Product Information".

Pepperl+Fuchs Group
www.pepperl-fuchs.com

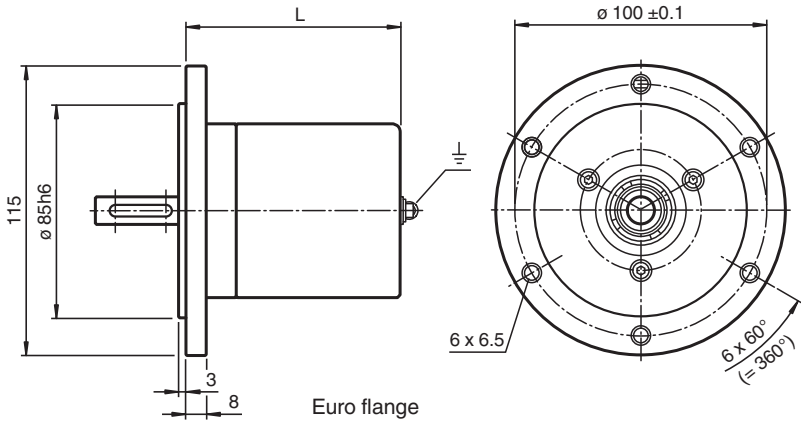
USA: +1 330 486 0001
fa-info@us.pepperl-fuchs.com

Germany: +49 621 776 1111
fa-info@de.pepperl-fuchs.com

Singapore: +65 6779 9091
fa-info@sg.pepperl-fuchs.com

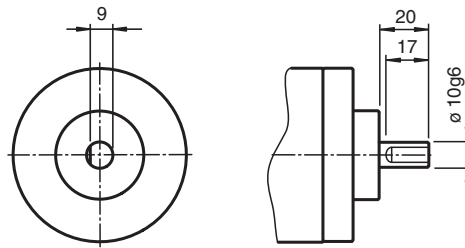
PF PEPPERL+FUCHS

Dimensions

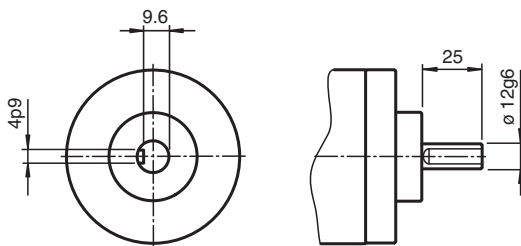


Euro flange

Flange	L [mm]	
	Axial output	Radial output
Clamping flange	80	87
Servo flange	80.2	87.2
Euro flange	78	85



Shaft: 10 mm



Shaft: 12 mm

Release date: 2024-10-24 Date of issue: 2024-10-24 Filename: t164178_eng.pdf

Refer to "General Notes Relating to Pepperl+Fuchs Product Information".

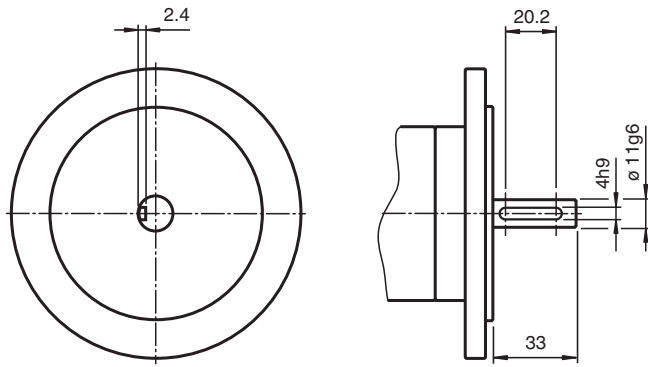
Pepperl+Fuchs Group
www.pepperl-fuchs.com

USA: +1 330 486 0001
fa-info@us.pepperl-fuchs.com

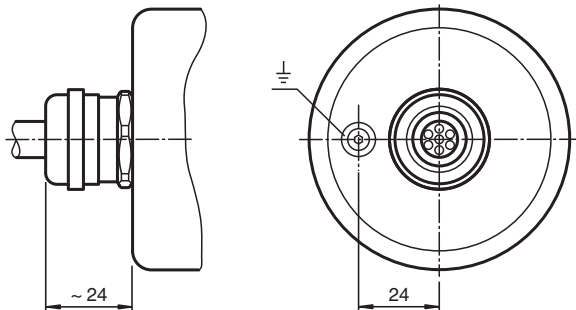
Germany: +49 621 776 1111
fa-info@de.pepperl-fuchs.com

Singapore: +65 6779 9091
fa-info@sg.pepperl-fuchs.com

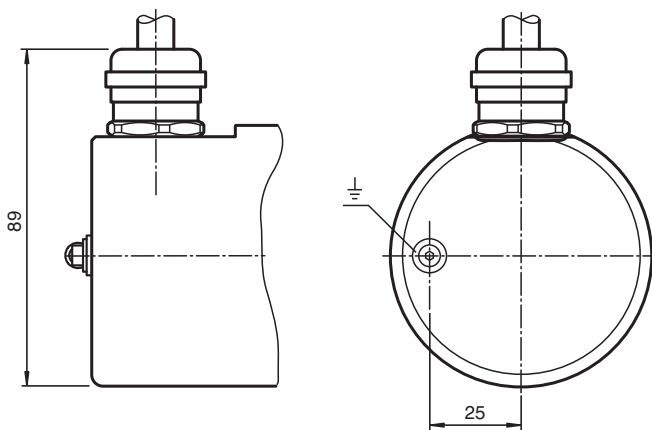
Dimensions



Shaft: 11 mm



Axial output



Radial output

Technical Data

General specifications

Detection type	photoelectric sampling
Device type	Incremental rotary encoder
Pulse count	max. 5000

Functional safety related parameters

MTTF _d	140 a
L ₁₀	1.6 E+9 at 3000 rpm

Electrical specifications

Release date: 2024-10-24 Date of issue: 2024-10-24 Filename: t164178_eng.pdf

Refer to "General Notes Relating to Pepperl+Fuchs Product Information".

Pepperl+Fuchs Group
www.pepperl-fuchs.com

USA: +1 330 486 0001
fa-info@us.pepperl-fuchs.com

Germany: +49 621 776 1111
fa-info@de.pepperl-fuchs.com

Singapore: +65 6779 9091
fa-info@sg.pepperl-fuchs.com

Technical Data

Operating voltage	U_B	10 ... 30 V DC or 5 V DC \pm 5 % (see "Output circuit" in the ordering information)
No-load supply current	I_0	max. 60 mA
Output		
Output type		push-pull, incremental or RS 422, incremental (see "Output circuit" in the ordering information)
Voltage drop	U_d	< 4 V (push-pull, incremental)
Load current		max. per channel 35 mA , short-circuit protected, reverse polarity protected (push-pull, incremental) max. per channel 20 mA , short-circuit protected, reverse polarity protected (RS 422, incremental)
Output frequency		max. 200 kHz
Rise time		250 ns
Phase position A to B		90 ° \pm 18 °
Duty cycle		1/2 \pm 20 %
De-energized delay	t_{off}	250 ns
Connection		
Cable		\varnothing 10.2 mm, Radox 9 x 0.5 mm ²
Standard conformity		
Degree of protection		DIN EN 60529, IP66 DIN EN 60529, IP67
Climatic testing		DIN EN 60068-2-78 , no moisture condensation
Emitted interference		EN IEC 61000-6-4:2019
Noise immunity		EN IEC 61000-6-2:2019
Shock resistance		DIN EN 60068-2-27, 100 g, 3 ms
Vibration resistance		DIN EN 60068-2-6, 10 g, 10 ... 2000 Hz
Approvals and certificates		
IECEX approval		
Equipment protection level Gb		IECEX ZLM 14.0003X
Equipment protection level Db		IECEX ZLM 14.0003X
ATEX approval		
Equipment protection level Gb		ZELM 14 ATEX 0519 X
Equipment protection level Db		ZELM 14 ATEX 0519 X
CCC approval		
Hazardous Location		2020322314001105
KCC approval		
Hazardous Location		19-AV4BO-0390 and 19-AV4BO-0391
Ambient conditions		
Ambient temperature		-40 ... 70 °C (-40 ... 158 °F)
Storage temperature		-40 ... 70 °C (-40 ... 158 °F)
Mechanical specifications		
Material		
Combination 1		housing: anodized aluminum flange: anodized aluminum shaft: Stainless steel 1.4401 / AISI 316
Combination 2 (Inox)		housing: Stainless steel 1.4401 / AISI 316 flange: Stainless steel 1.4401 / AISI 316 shaft: Stainless steel 1.4401 / AISI 316
Mass		approx. 1300 g (combination 1) approx. 2300 g (combination 2)
Rotational speed		max. 6000 min ⁻¹
Moment of inertia		400 gcm ²
Starting torque		< 5 Ncm
Shaft load		
Axial		110 N
Radial		150 N
General information		
Use in the hazardous area		see instruction manuals

Release date: 2024-10-24 Date of issue: 2024-10-24 Filename: t164178_eng.pdf

Refer to "General Notes Relating to Pepperl+Fuchs Product Information".

Pepperl+Fuchs Group
www.pepperl-fuchs.comUSA: +1 330 486 0001
fa-info@us.pepperl-fuchs.comGermany: +49 621 776 1111
fa-info@de.pepperl-fuchs.comSingapore: +65 6779 9091
fa-info@sg.pepperl-fuchs.com

PEPPERL+FUCHS

Installation

Note for use in hazardous areas

For use in hazardous areas, observe the instruction manual with the information on specific conditions of use and protective measures. For a safe ground connection, connect the corresponding equipotential bonding conductor to the grounding screw and tighten it with 4.5 Nm.

Type Code

Aufbau des Typenschlüssels

R	V	I	7	0	E	-	(1)	(1)	(1)	(2)	(2)	(3)	6	(4)	(5)	-	(6)	(6)	(6)	(6)
---	---	---	---	---	---	---	-----	-----	-----	-----	-----	-----	---	-----	-----	---	-----	-----	-----	-----

RVI	Type of sensor
RVI	Incremental rotary encoder with solid shaft

70	Size
70	Housing diameter 70 mm

E	Special properties
E	Explosion proof

(1) (1) (1)	Shaft dimension/flange version
011	Shaft Ø10 mm x 20 mm with clamping flange
012	Shaft Ø10 mm x 20 mm with servo flange
021	Shaft Ø12 mm x 25 mm with clamping flange
022	Shaft Ø12 mm x 25 mm with servo flange
033	Shaft Ø11 mm x 30 mm with euro flange Only available with housing material aluminum.

(2) (2)	Connection type
K2	Cable, 2 m
K5	Cable, 5 m
KA	Cable, 10 m

(3)	Exit position
A	Axial
R	Radial

6	Signal output
6	A + B + 0 und A\ + B\ + 0\

(4)	Output switching
1	10 V ... 30 V, push-pull)
6	5 V, RS 422
X	10 V ... 30 V, RS 422

(5)	Housing material
N	Aluminum
I	Inox

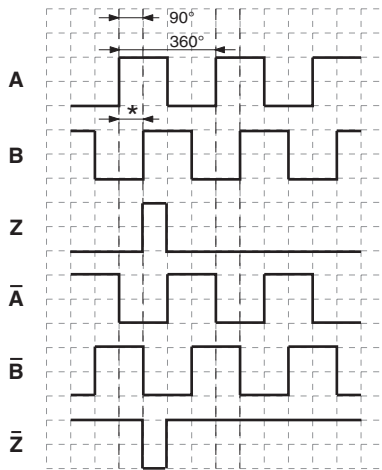
(6) (6) (6) (6)	Pulse count
0512	512 pulse
1000	1000 pulse
1024	1024 pulse
1800	1800 pulse
2000	2000 pulse
2048	2048 pulse
3600	3600 pulse
4096	4096 pulse
5000	5000 pulse

Connection

Signal	Cable, 9-core
GND	1
+U _b	2
A	3
B	4
\bar{A}	5
\bar{B}	6
Z	7
\bar{Z}	8
PE	Green/Yellow

Operation

Signal outputs



↺ cw - with view onto the shaft
 phase relationships electrical
 * 1 Measuring step is 90° electrical

Release date: 2024-10-24 Date of issue: 2024-10-24 Filename: t164178_eng.pdf