



## Solutions Ex d IIC based on GUB Enclosures, Stainless Steel

### GUBX\*

- Stainless Steel enclosure
- Ex d and Ex tb certified
- Installation in Zone 1, Zone 2, Zone 21 and Zone 22
- Gas group IIC
- Various enclosure size and design variants
- Integration of electrical components and operating elements as per customer specification
- Customizable configuration of operators, cable entry quantities and cable gland types as per specification
- Thermo-resistant tempered glass window
- Degree of protection IP66 or IP66 / IP67

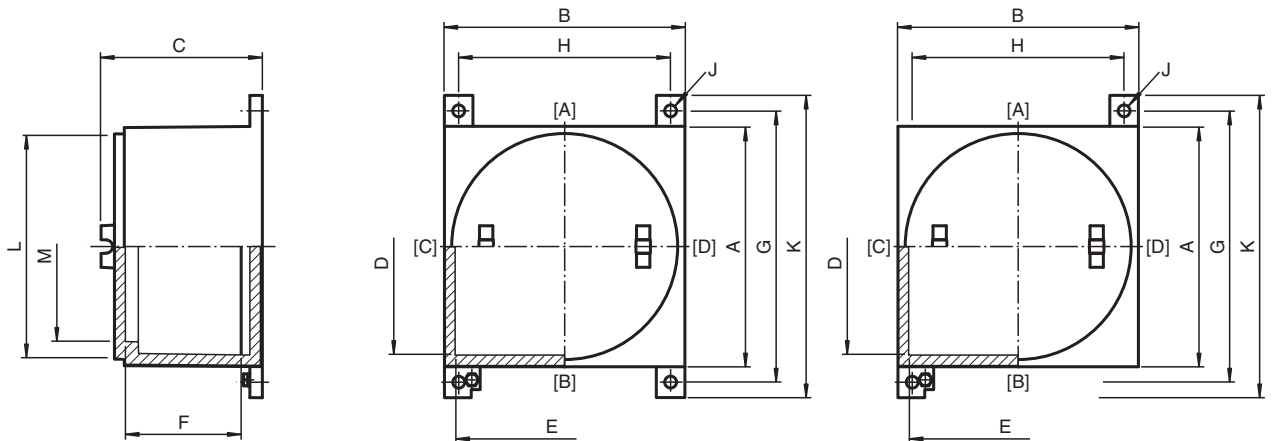


### Function

The GUBX enclosure series forms the optimal basis for the application-specific configuration of terminal boxes as well as control and distribution panels. A wide range of components and control functions can be integrated in one of many size and design options of Ex d IIC and Ex tb certified flameproof enclosures. They are manufactured from high-quality stainless steel.

This durability and the comprehensive enclosure sizes cover the requirements of many industries including offshore and marine applications. A choice of windows allows viewing of integrated monitoring functions. Electrical components can be integrated as per customer specification.

### Dimensions



Dimension values see data table.  
 Real values might differ slightly due to manufacturing tolerances.  
 Dimensions are valid for standard enclosures and IP66 variants only.  
 Image and drawing are generic for this device type and may deviate from the specific variant.

#### Dimensions and Enclosure Details GUBX\*

Release date: 2024-09-02 Date of issue: 2024-09-02 Filename: t165422\_eng.pdf

Refer to "General Notes Relating to Pepperl+Fuchs Product Information".

Pepperl+Fuchs Group  
 www.pepperl-fuchs.com

USA: +1 330 486 0002  
 pa-info@us.pepperl-fuchs.com

Germany: +49 621 776 2222  
 pa-info@de.pepperl-fuchs.com

Singapore: +65 6779 9091  
 pa-info@sg.pepperl-fuchs.com

**PF** PEPPERL+FUCHS

Type	External dimensions [mm]				Internal dimensions [mm]			Mounting [mm]			Diameter [mm]		Mounting brackets quantity	Mass approx. [kg]	Max. power dissipation at T4/+40 °C [W]
	A	B	C	K	D	E	F	G	H	J	L	M			
GUBX00*	112	112	131	163	92	92	98	145	95	8	112	97	2	5.3	48
GUBX0*	150	150	153	205	125	125	113	178	125	8	136	114	2	12	78
GUBX0H*	150	150	190	205	125	125	150	178	125	8	136	114	2	16	91
GUBX1*	200	200	157	255	173	173	110	228	178	10	189	163	2	23	122
GUBX1H*	200	200	197	251	173	173	150	228	178	10	189	163	2	27	143
GUBX1PF*	176	176	137	220	150	150	95	196	154	10	170	147	2	23	95
GUBX2*	256	256	160	305	225	225	114	275	232	10	235	206	4	30	181
GUBX3*	258	258	215	310	225	225	165	285	228	10	235	206	4	37	222
GUBX3L*	347	347	255	430	325	325	185	395	318	10	348	320	4	91	293
GUBX4*	440	440	316	530	410	410	228	485	410	14	437	406	4	180	466
GUBX4A*	440	440	246	530	410	410	158	485	410	14	437	406	4	155	400
GUBX5*	540	540	376	640	510	510	273	595	510	16	540	504	4	216	749

Mass is valid for empty enclosure, it will increase according to integrated components and cable glands  
 Values might differ slightly due to manufacturing tolerances  
 For custom designed solutions, such as for different temperature ranges, dimensions and mass may differ

**Cable Entries max. Quantity per Size**

Type	Cover	Faces A ... D										Bottom				
	M12	M20	M25	M32	M42	M50	M63	M75	M85	M110	M20	M25	M32	M42	M50	
	1/4"	1/2"	3/4"	1"	1-1/4"	1-1/2"	2"	2-1/2"	3"	4"	1/2"	3/4"	1"	1-1/4"	1-1/2"	
GUBX00*	1	4	3	2	1	1	1	-	-	-	2	2	1	-	-	
GUBX0*	1	6	5	3	2	2	1	1	-	-	4	3	1	-	-	
GUBX0H*	1	10	8	4	3	2	1	1	1	1	4	3	1	-	-	
GUBX1*	2	8	8	5	2	2	2	1	-	-	6	4	2	1	1	
GUBX1H*	2	12	10	5	4	4	2	1	1	1	6	4	2	1	1	
GUBX1PF*	1	8	6	3	2	2	1	-	-	-	4	3	1	1	1	
GUBX2*	3	10	10	6	3	3	2	2	-	-	10	8	4	2	2	
GUBX3*	3	20	15	10	6	5	3	2	2	1	10	8	4	2	2	
GUBX3L*	8	30	25	15	8	8	5	3	2	1	20	12	10	4	4	
GUBX4*	10	45	35	20	14	10	8	5	3	1	25	15	11	5	5	
GUBX4A*	10	28	20	12	10	5	4	3	3	-	25	15	11	5	5	
GUBX5*	12	70	60	35	20	15	12	6	5	3	35	20	18	6	6	

Metric ISO pitch 1.5mm, NPT ANSI ASME B1.20.1  
 Table shows drilling pattern for ambient temperature range -20 ... +60 °C.  
 For lower temperatures please contact Pepperl+Fuchs  
 For types of cable glands and combination of different gland sizes please contact Pepperl+Fuchs

Stainless steel GUBX\* enclosures are available with extensions and various viewing windows, too  
 For details please contact Pepperl+Fuchs

**Technical Data**

Electrical specifications	
Operating voltage	1500 V DC / 1000 V AC max.
Operating current	recommended: 1600 A max.
Mechanical specifications	
Thread type	metric ISO pitch 1.5 mm or NPT ANSI ASME B1.20.1
Enclosure cover	threaded round cover
Cover fixing	flamepath thread
Cover seal	none, O-ring for IP66/67
Degree of protection	IP66 (IP66/67 with O-ring)
Cable entry	see data table
Material	
Enclosure	AISI 316L stainless steel
Glass	thermo-resistant tempered glass
Finish	shot peened
O-Ring	silicone
Mass	see data table valid for empty enclosure, will increase according to integrated components

Release date: 2024-09-02 Date of issue: 2024-09-02 Filename: t165422\_eng.pdf

## Technical Data

Dimensions	see data table values might differ slightly due to manufacturing tolerances for custom designed solutions dimensions and mass may differ
Mounting	see data table
Grounding	M6 external grounding points
<b>Ambient conditions</b>	
Ambient temperature	-60 ... 60 °C (-76 ... 140 °F) depending on integrated components
<b>Data for application in connection with hazardous areas</b>	
EU-type examination certificate	INERIS 14 ATEX 0035X INERIS 16 ATEX 9005U
Marking	Ⓔ II 2 GD Ex db IIC T* Gb Ex tb IIIC T** °C Db T6/T85 °C T5/T100 °C T4/T135 °C T3/T200 °C depending on configuration, ambient temperature and built-in power loss
Maximum power dissipation	see data table maximum power dissipation at T4/+40 °C
<b>International approvals</b>	
IECEx approval	IECEx INE 14.0042X IECEx INE 16.0051U
UKCA approval	CML 21 UKEX 21304X CML 21 UKEX 2976U
ECAS approval	22-09-51658/E22-09-051730/NB0002
CCoE approval	PESO A/P/HQ/KA/104/6018 (P558877)
CCC approval	2023122303116246
Further approvals	available on request
<b>Conformity</b>	
Degree of protection	EN 60529
CE marking	0080 or 0102, see type label
<b>General information</b>	
Ordering information	This solution will be delivered completely configured and assembled ready for use. For configuration details please contact Customer Service.
Supplementary information	EC-Type Examination Certificate, Statement of Conformity, Declaration of Conformity, Attestation of Conformity and instructions have to be observed where applicable. For information see <a href="http://www.pepperl-fuchs.com">www.pepperl-fuchs.com</a> .

## Type Code

1	2	3	4	5	6	7	8			
<b>GUB</b>	*	*	*	**	.	*	**	-	****	
GUB	X			3	.	D	.	CP	-	Y0001

Example: GUBX3.D.CP-Y0001

Control panel GUB size 3 in stainless steel, without extension or window, without intrinsically safe circuits

<b>1</b>	<b>Enclosure type</b>
GUB	enclosure Ex d IIC
<b>2</b>	<b>Material</b>
X	stainless steel AISI 316L
<b>3</b>	<b>Window</b>
	no window
W	window
<b>4</b>	<b>Enclosure variant</b>
	standard variant
E	variant with extension
<b>5</b>	<b>Enclosure size</b>
00 ... 5	see dimensions data table

Release date: 2024-09-02 Date of issue: 2024-09-02 Filename: t165422\_eng.pdf

Refer to "General Notes Relating to Pepperl+Fuchs Product Information".

Pepperl+Fuchs Group  
[www.pepperl-fuchs.com](http://www.pepperl-fuchs.com)

USA: +1 330 486 0002  
[pa-info@us.pepperl-fuchs.com](mailto:pa-info@us.pepperl-fuchs.com)

Germany: +49 621 776 2222  
[pa-info@de.pepperl-fuchs.com](mailto:pa-info@de.pepperl-fuchs.com)

Singapore: +65 6779 9091  
[pa-info@sg.pepperl-fuchs.com](mailto:pa-info@sg.pepperl-fuchs.com)

 **PEPPERL+FUCHS**

## Type Code

6	
	<b>Electrical circuits</b>
D	without intrinsically safe circuits
I	intrinsically safe circuits integrated
7	
	<b>Type of application</b>
U	empty enclosure
T	terminal box
CP	control panel
CS	control station
DB	distribution board
DMT	electronic earthing system
MS	motor starter
PS	power switching
RIO	remote I/O field unit
IFS	interface solution
FJB	fieldbus solution
OS	optical solution
Q40	engineered solution per customer specification (Q40)
8	
	<b>Variant number</b>
Yxxxx	consecutive number