



# Compact Fieldbus Power Hub Motherboard for Yokogawa ALF111

## MBHC-FB-8R.YO\*

- 8 segments, redundant, individual modules per segment
- Customized for Yokogawa, ALF 111
- High-power trunk: Live work on devices in any hazardous area
- Best quality, smallest size and lowest heat dissipation
- For FOUNDATION Fieldbus H1
- Optional advanced diagnostics
- Passive impedance for high reliability
- Supports Ex ic voltage limitation
- Installation in Zone 2/Div. 2
- Spring terminals or screw terminals selectable
- Left/right version for optimized cabinet layout

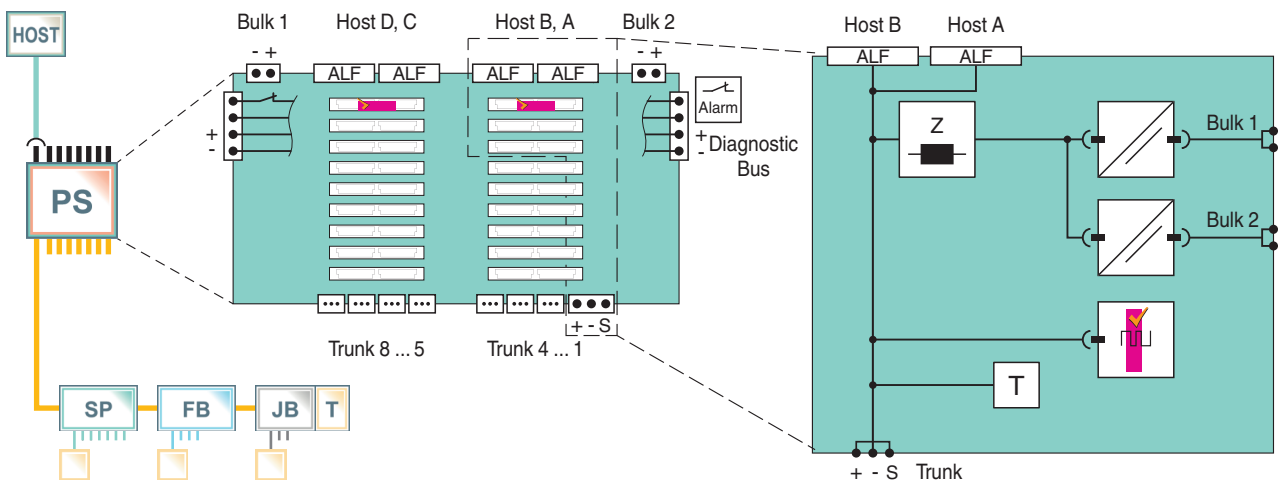


### Function

The FieldConnex® compact Power Hub is a modular fieldbus power supply for eight segments with lowest power dissipation and smallest foot print. It supports explosion protection e.g. the high-power trunk for longest cable run and highest device count. The Power Hub supports optional advanced diagnostics for fast fieldbus commissioning and online monitoring. The motherboard is the wiring interface with connectors for direct DCS hook-up via the AKB 336 system cable. The version with type code extension ".R" has host connections on the right-hand side for symmetrical cabinet layout. Sockets for all modules enable simple installation and replacement without tools. For power redundancy with seamless transfer, pairs of modules feed each segment. Wire connections can be selected as spring terminals or screw terminals.

This design allows the most compact cabinet layout. Excellent availability and a very long service life are achieved through: passive impedance filter per segment, high-availability fieldbus termination and plugs with retaining screws. Electronics are optimized for lowest power dissipation and compactness.

### Connection



### Technical Data

General specifications	
Design / Mounting	Motherboard based
<b>Supply</b>	
Connection	redundant
Rated voltage	$U_r$ 19.2 ... 35 V SELV/PELV
Rated current	$I_r$ 16 A

Release date: 2023-02-14 Date of issue: 2023-02-14 Filename: t169608\_eng.pdf

Refer to "General Notes Relating to Pepperl+Fuchs Product Information".

Pepperl+Fuchs Group  
www.pepperl-fuchs.com

USA: +1 330 486 0002  
pa-info@us.pepperl-fuchs.com

Germany: +49 621 776 2222  
pa-info@de.pepperl-fuchs.com

Singapore: +65 6779 9091  
pa-info@sg.pepperl-fuchs.com



## Technical Data

Power dissipation		typ. 0.4 W per segment
<b>Fieldbus connection</b>		
Number of segments		8 redundant
Host-side		redundant Yokogawa ALF111 with AKB336 interface cables
Terminating resistor		100 $\Omega$ integrated
<b>Indicators/operating means</b>		
Fault signal		VFC alarm 1 A, 50 V DC, normally closed
<b>Galvanic isolation</b>		
Fieldbus segment/Fieldbus segment		functional insulation acc. to IEC 62103, rated insulation voltage 50 V <sub>eff</sub>
Fieldbus segment/Supply		functional insulation acc. to IEC 62103, rated insulation voltage 250 V <sub>eff</sub>
<b>Directive conformity</b>		
Electromagnetic compatibility		
Directive 2014/30/EU		EN 61326-1:2013
<b>Standard conformity</b>		
Electromagnetic compatibility		NE 21:2011
Degree of protection		IEC 60529
Fieldbus standard		IEC 61158-2
Shock resistance		EN 60068-2-27
Vibration resistance		EN 60068-2-6
<b>Ambient conditions</b>		
Ambient temperature		-40 ... 70 °C (-40 ... 158 °F)
Storage temperature		-40 ... 85 °C (-40 ... 185 °F)
Relative humidity		< 95 % non-condensing
Shock resistance		15 g 11 ms
Vibration resistance		1 g , 10 ... 150 Hz
Pollution degree		max. 2, according to IEC 60664
Corrosion resistance		acc. to ISA-S71.04-1985, severity level G3
<b>Mechanical specifications</b>		
Connection type		plug-in terminals , spring terminal and screw terminal
Core cross section		2.5 mm <sup>2</sup>
Housing material		Polycarbonate
Housing width		268 mm
Housing height		150 mm
Housing depth		69 mm
Degree of protection		IP20
Mass		approx. 1350 g
Mounting		DIN mounting rail
<b>Data for application in connection with hazardous areas</b>		
Certificate		TÜV 10 ATEX 555761X
Marking		Ⓜ II 3G Ex ec IIC T4 Gc
Directive conformity		
Directive 2014/34/EU		EN 60079-0:2012 , EN 60079-11:2012 , EN 60079-7:2015
<b>International approvals</b>		
FM approval		FM19US0015X FM19CA0011X
Approved for		Class I, Division 2, Groups A, B, C, D, T4 / Class I, Zone 2, AEx/Ex ec IIC T4
IECEX approval		IECEX TUN 13.0037X
Approved for		Ex ec IIC T4 Gc
<b>Certificates and approvals</b>		
Marine approval		DNV TAA 0000272 , pending for MBHC-FB-8R.YO.R
<b>General information</b>		
Supplementary information		Statement of Conformity, Declaration of Conformity, Attestation of Conformity and instructions have to be observed where applicable. For information see <a href="http://www.pepperl-fuchs.com">www.pepperl-fuchs.com</a> .

Release date: 2023-02-14 Date of issue: 2023-02-14 Filename: t169608\_eng.pdf

Refer to "General Notes Relating to Pepperl+Fuchs Product Information".

Pepperl+Fuchs Group  
www.pepperl-fuchs.com

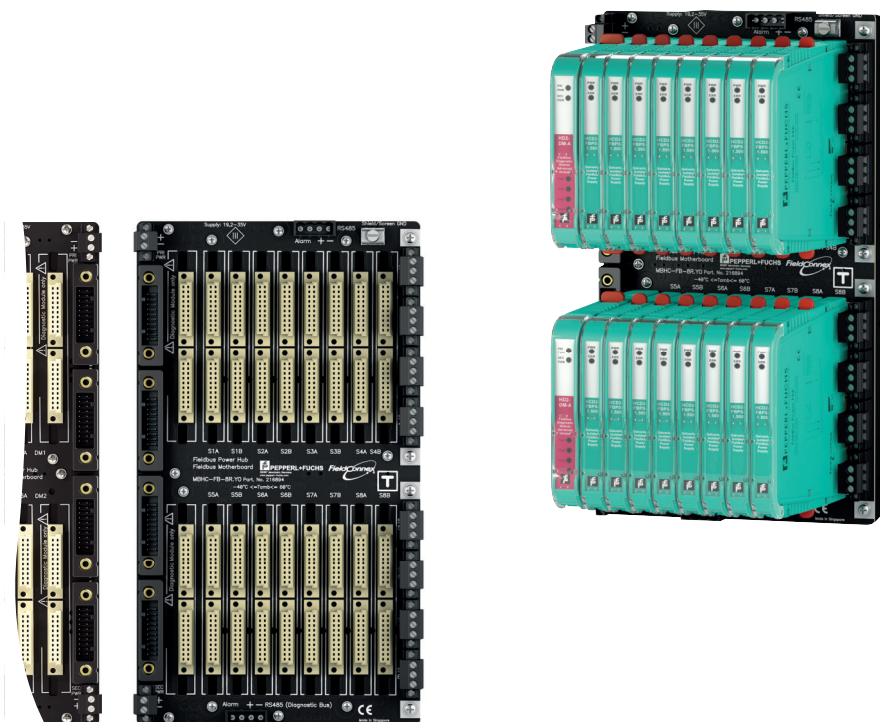
USA: +1 330 486 0002  
pa-info@us.pepperl-fuchs.com

Germany: +49 621 776 2222  
pa-info@de.pepperl-fuchs.com

Singapore: +65 6779 9091  
pa-info@sg.pepperl-fuchs.com

 PEPPERL+FUCHS

## Assembly

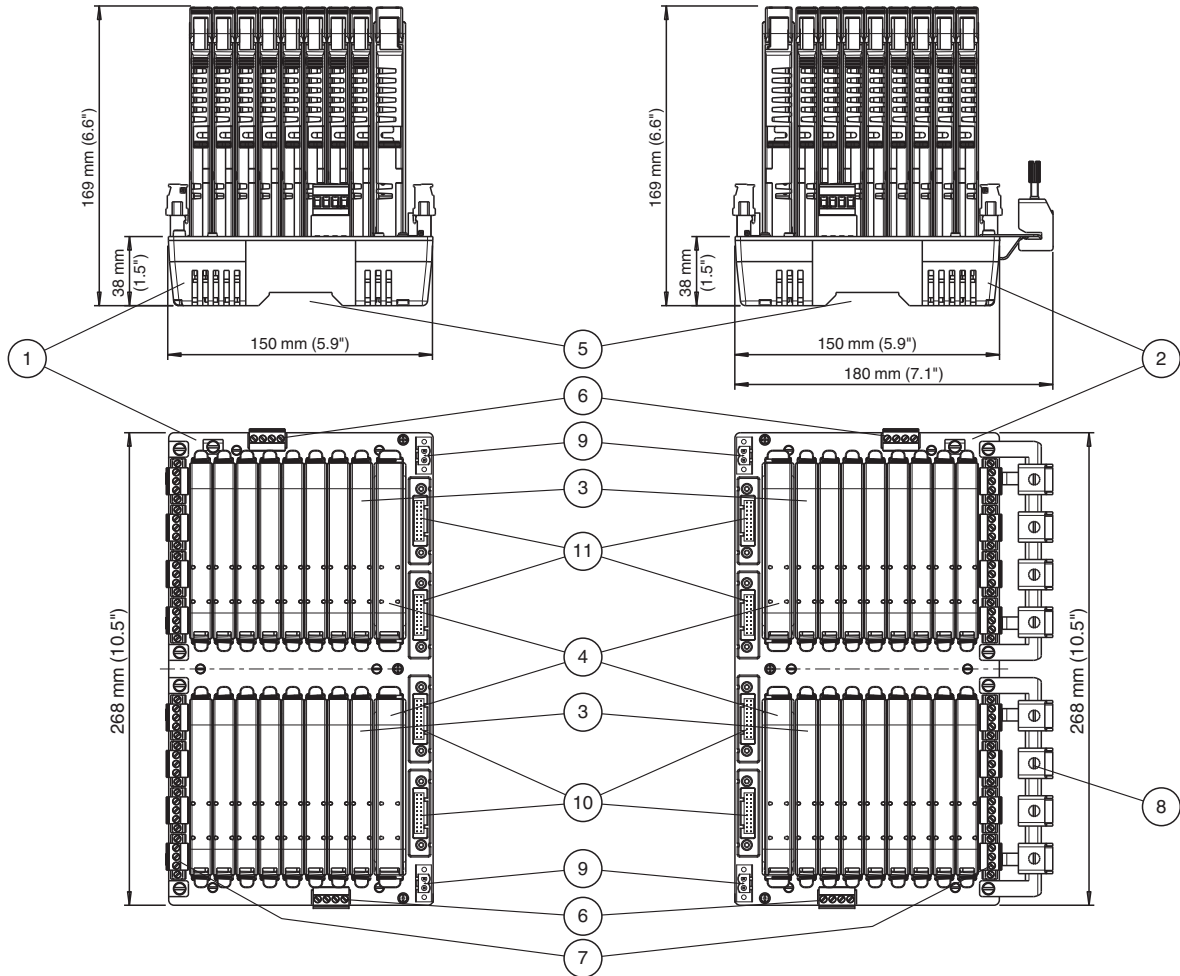


## Accessories

<b>ACC-MB-HSK</b>	Grounding Rail including 4 Cable Clamps
<b>ACC-MB-HDC</b>	Diagnostic cordset for linking the diagnostic bus of 2 motherboards, length 6 cm
<b>ACC-LBF-EB.8</b>	8x Grounding Rail for Surge Protection, TPH-LBF* and MBHC-FB*

**Additional Information**

**Dimensions and Assembly**



**Description:**

- 1 Motherboard MBHC-FB-8R.YO.R\*
- 2 Motherboard MBHC-FB-8R.YO\*
- 3 Power supply modules
- 4 Diagnostic modules
- 5 Mounting slot for DIN mounting rail
- 6 Connections for alarm volt-free contact and diagnostic bus
- 7 Connections for fieldbus trunk
- 8 Screening/earthing kit for trunk cables shield, optional accessory
- 9 Connections for bulk power supply
- 10 Redundant connection to Yokogawa ALF111 segments 5 to 8
- 11 Redundant connection to Yokogawa ALF111 segments 1 to 4

**Components**

**Compatible Power Supply Modules**

		HCD2-FBPS-1.23.500	HCD2-FBPS-1.500		
<b>Power Output</b>					
Voltage (V)		21 ... 23	28 ... 29.5		
Current (mA)		500	500		
Limit U <sub>0</sub> (V)		24	30		
<b>Device in ...</b>	<b>Type of Protection</b>				<b>Required Installation Components</b>

Release date: 2023-02-14 Date of issue: 2023-02-14 Filename: t169608\_eng.pdf

Refer to "General Notes Relating to Pepperl+Fuchs Product Information".

Zone 0/Div. 1	Intrinsically safe Ex ia		■	FieldBarrier
Zone 1/Div. 1	Intrinsically safe Ex ia		■	FieldBarrier
Zone 1/Div. 1	Flameproof Ex d		■	Segment Protector R-SP-E12 or any Segment Protector installed in Zone 2
Zone 2	Intrinsically safe Ex ic (Entity)	■	■	Selected Segment Protectors
Div. 2	Non-incendive	■	■	Any Segment Protector; power module selection depends on voltage of field device
Safe Area	No specific type of protection		■	Segment Protector recommended

For more details on the power supply modules see respective data sheets.

## Diagnostic Module Selection

The following diagnostic modules are compatible with this motherboard.

Type code	Description
HD2-DM-B	Diagnostic Module, basic version
HD2-DM-A	Diagnostic Module, advanced version
HD2-DM-A.RO	Diagnostic Module, advanced version, relay output

The stationary and mobile Advanced Diagnostic Module (ADM) and related components provide measurement tools for the fieldbus physical layer. The ADM monitors many quality indicating values of the fieldbus physical layer. An expert system, which is included, analyzes the values and issues easy to understand messages indicating cause and remedy. The ADM is recommended for:

- **Faster commissioning and plant start-up:** Installation issues are known and corrected before loop check commences
- **Reliable operation through online monitoring:** The quality of the physical layer and installation is monitored making fieldbus a manageable asset
- **Efficient troubleshooting:** An expert system guides the user through issues and faults in the fieldbus installation

Many other tools are included that enhance fieldbus installation and upkeep. Please see datasheet on HD2-DM-A.

## Product Versions

Type code	Description
MBHC-FB-8R.YO	Redundant motherboard with pluggable screw terminals and connectors for direct DCS hook-up
MBHC-FB-8R.YO.1	Redundant motherboard with pluggable spring terminals and connectors for direct DCS hook-up
MBHC-FB-8R.YO.R	Redundant motherboard with pluggable screw terminals and connectors for direct DCS hook-up on the right-hand side