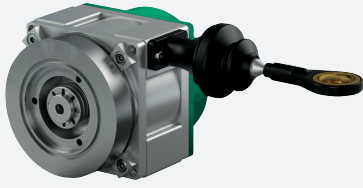


Cable pull ECN20IL-*



- Robust aluminum drum housing
- Compact design
- Bellows with steel tip
- Wide range of mounting options
- Up to 5 m of measuring cable
- Rust and acid-resistant measuring cable

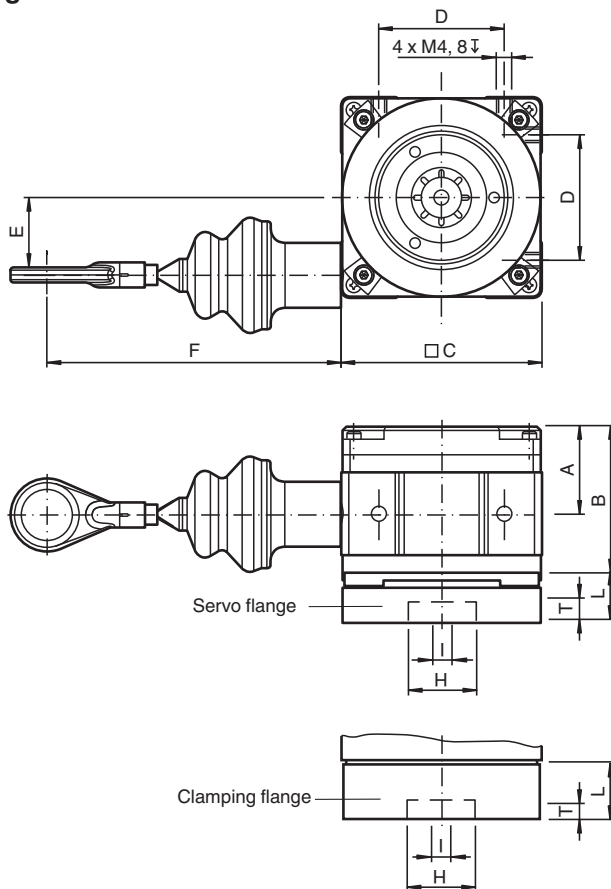
Cable pull

Function

Cable pull with a robust design to suit a wide range of requirements.

Dimensions

For design 55



Release date: 2023-06-14 Date of issue: 2023-06-14 Filename: t174841_eng.pdf

Refer to "General Notes Relating to Pepperl+Fuchs Product Information".

Pepperl+Fuchs Group
www.pepperl-fuchs.com

USA: +1 330 486 0001
fa-info@us.pepperl-fuchs.com

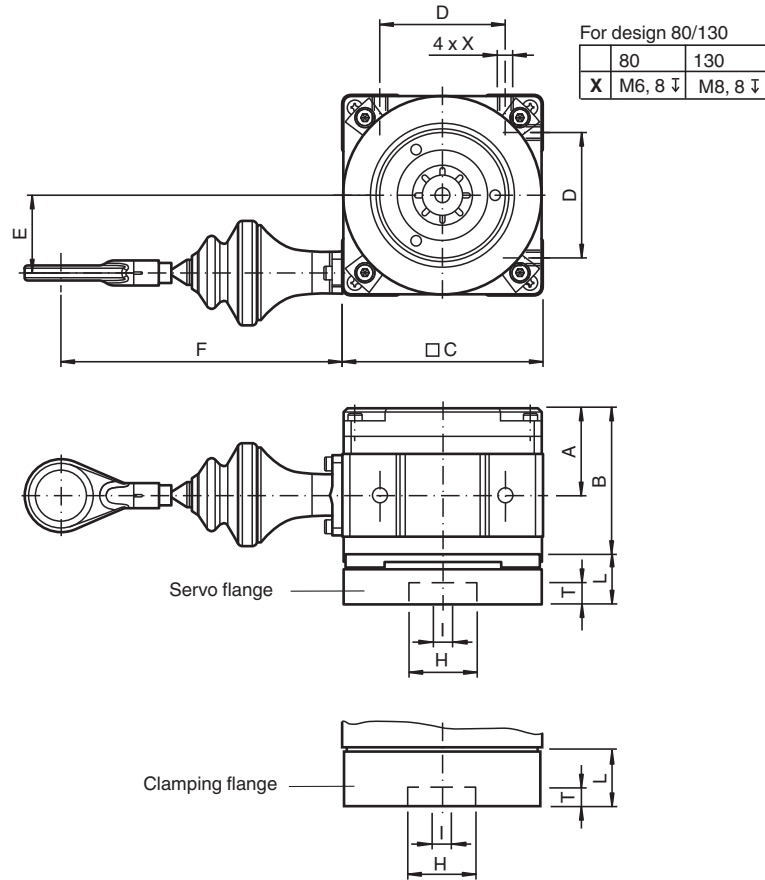
Germany: +49 621 776 1111
fa-info@de.pepperl-fuchs.com

Singapore: +65 6779 9091
fa-info@sg.pepperl-fuchs.com

PF PEPPERL+FUCHS

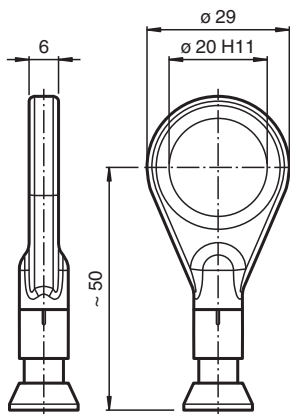
Dimensions

For design 80/130

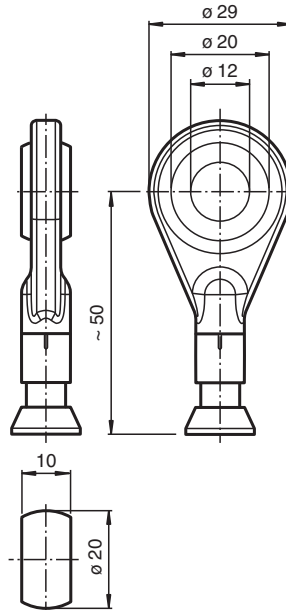


Cable mounts

A Brass ring PE



C Ball joint



Release date: 2023-06-14 Date of issue: 2023-06-14 Filename: t174841_eng.pdf

Refer to "General Notes Relating to Pepperl+Fuchs Product Information".

Pepperl+Fuchs Group
www.pepperl-fuchs.com

USA: +1 330 486 0001
fa-info@us.pepperl-fuchs.com

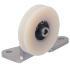

Germany: +49 621 776 1111
fa-info@de.pepperl-fuchs.com

Singapore: +65 6779 9091
fa-info@sg.pepperl-fuchs.com

Technical Data

General specifications	
Device type	Industrial Line
Measuring range	1250 ... 5000 mm
Construction type	55 mm, 80 mm, 130 mm
Functional safety related parameters	
B _{10d}	300000
Ambient conditions	
Ambient temperature	-30 ... 70 °C (-22 ... 158 °F)
Mechanical specifications	
Rope diameter	0.55 mm
Retraction speed	4 m/s
Degree of protection	IP64
Material	
Housing	anodized aluminum
Rope	Stainless steel 1.4401/316
Life span	up to 10 ⁶ Cycles
General information	
Scope of delivery	Shaft coupling for mounting a rotary encoder depending on the flange type , Mounting clips , bolts for mounting the adapter and a rotary encoder , Sealing elements (various seals for mounting a rotary encoder) , Hexagon socket wrench, 1.3 AF
Accessories	
Optional accessories	#272502 SL-BCA Ball for ball joint

Accessories

	ACC-PUL-ECN-SEP2	Separate guide pulley for cable pulls
	ACC-PUL-ECN-SEP4	Separate guide pulley for cable pulls

Dimensions

Variable Data and Dimensions

Technical Data	Design 55	Design 80		Design 130
Measuring length (in m)	1.25	02	03	05
Drum size (incl. cable) (in mm)	125	200		333.3
Repeatability (max. in mm)	0.2	0.2	0.3	0.5
Hysteresis (max. in mm)	1	1	1.5	1.5
Spring retraction force (in N)	4-6	8-14	7-11	15-21
Weight (in kg)	0.5	1.3	1.4	2.6
Dimensions (in mm)				
A	32	34.5	45.5	59.5
B	46.6	58	69	85.8
C	55	80		130
D	46	50		80
E	19.5	31		52
F	85	113		113

Flange dimensions for adapting rotary encoders

Design	55	80	130	80	130	80	130
Flange type	Clamping flange	Servo flange				Clamping flange	
Designation	X5	X1		X3		X2	
H (= flange Ø) (in mm)	20	50		33		36	
Clamping circuit Ø (in mm)	30	42		26		48	
I (= shaft Ø) (in mm)	6	6		6		10	
Wavelength (in mm)	15	10		11.5		20	
Dimensions (in mm)							
Length L	30	20		24	22	36.8	34.8
Depth D	6	3.8		3	3	10	10

Release date: 2023-06-14 Date of issue: 2023-06-14 Filename: t174841_eng.pdf

Type Code

Model Number

E C N 2 0 I L - 1 -



Flange type

Refer to "General Notes Relating to Pepperl+Fuchs Product Information".

Model Number

			X1	Servo flange Ø 50 mm/42 mm/3 x M4; shaft Ø 6 mm x 10 mm
			X2	Clamping flange Ø 36/48 mm/3 x M4; shaft; Ø 10 mm x 20 mm
			X3	Servo flange Ø 33 mm/26 mm/4 x M3; shaft Ø 6 mm x 11.5 mm
			X5	Clamping flange Ø 20 mm/30 mm/3 x M3; shaft Ø 6x15 mm (only with length of measuring cable A1)
				Material
			A	STD anodized aluminum
				Cable mounts
			A	Ring PE carrier
			C	Ball joint
				Length of measuring cable
			A1	1.25 m (only with flange type X5)
			02	2 m
			03	3 m
			05	5 m