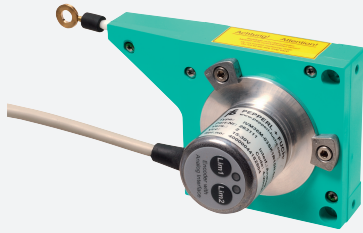


Cable pull rotary encoder

ECA10TL - Analog



- Solid yet lightweight plastic construction
- Compact, slim design (the shaft of the mounted rotary encoder is used to provide the function of the drum bearing)
- Coupling-free adaptation
- Wide range of mounting options
- Rust and acid-resistant measuring cable
- Very high level of linearity and repeatability
- Adjustable measuring range via push buttons
- Analog current and voltage output

Cable pull rotary encoder with analog interface and push buttons

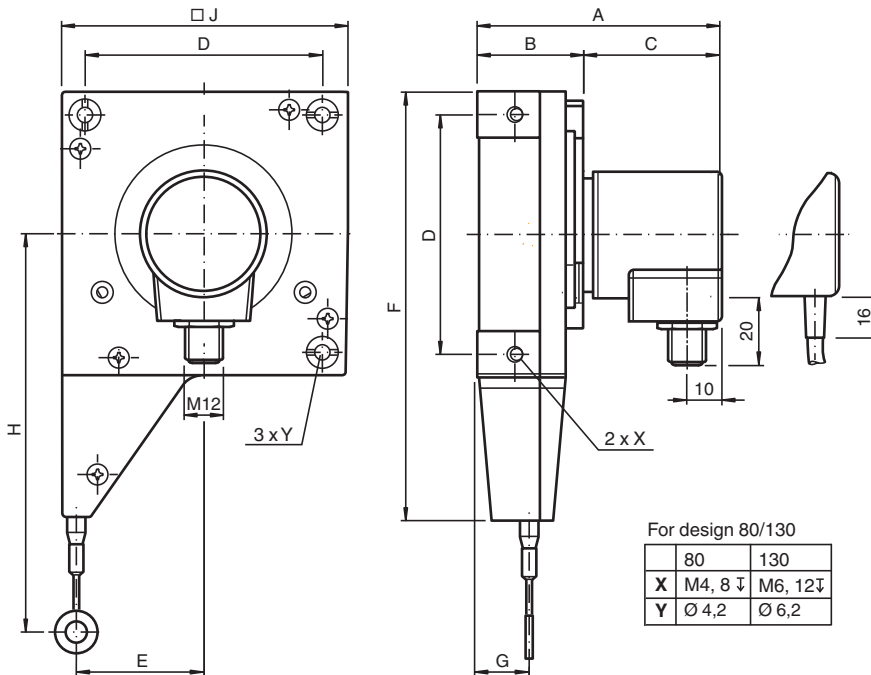


Function

Lighter and more solid cable pull rotary encoder with flat housing design.

Dimensions

For design 80/130



For design 80/130		
	80	130
X	M4, 8 ↓	M6, 12 ↓
Y	Ø 4,2	Ø 6,2

Release date: 2022-12-12 Date of issue: 2022-12-12 Filename: t175236_eng.pdf

Refer to "General Notes Relating to Pepperl+Fuchs Product Information".

Pepperl+Fuchs Group
www.pepperl-fuchs.com

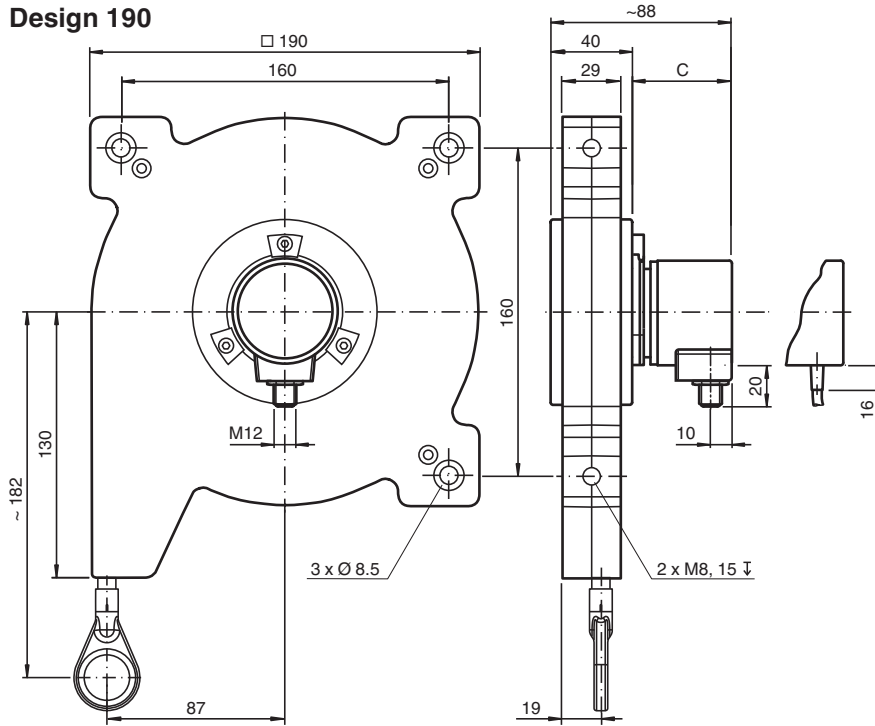
USA: +1 330 486 0001
fa-info@us.pepperl-fuchs.com

Germany: +49 621 776 1111
fa-info@de.pepperl-fuchs.com

Singapore: +65 6779 9091
fa-info@sg.pepperl-fuchs.com

PF PEPPERL+FUCHS

Dimensions



Release date: 2022-12-12 Date of issue: 2022-12-12 Filename: t175236_eng.pdf

Refer to "General Notes Relating to Pepperl+Fuchs Product Information".

Pepperl+Fuchs Group
www.pepperl-fuchs.com

USA: +1 330 486 0001
fa-info@us.pepperl-fuchs.com

Germany: +49 621 776 1111
fa-info@de.pepperl-fuchs.com

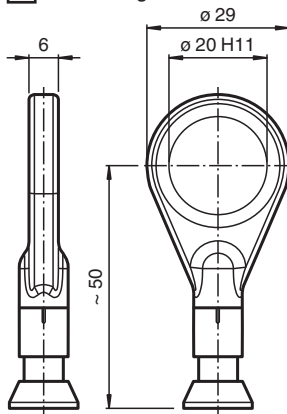
Singapore: +65 6779 9091
fa-info@sg.pepperl-fuchs.com

PF PEPPERL+FUCHS

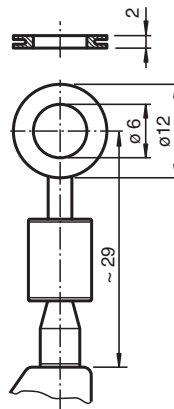
Dimensions

Cable mounts

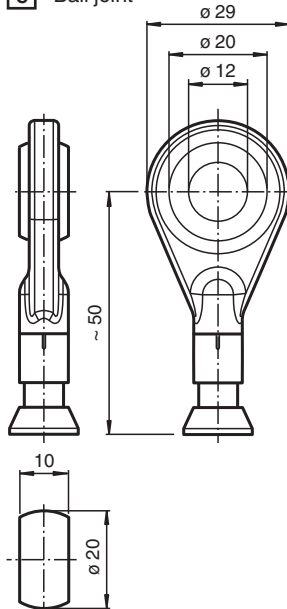
A Brass ring PE



B Ring



C Ball joint



Technical Data

General specifications

Detection type	magnetic sampling
Device type	Target line with analog interface
Measuring range	3000 ... 10000 mm
Construction type	80 mm, 130 mm, 190 mm
Resolution	Cable pull: 80 mm design: 0,028 mm 130 mm design: 0,047 mm 190 mm design: 0,068 mm Encoder: 17 bit (13 bit/revolution)

Electrical specifications

Operating voltage	U_B	8 ... 32 V DC
Current consumption		typ. 15 mA (with voltage output) typ. 20 mA (with current output)

Input 1

Input type	lower limit of measurement range
------------	----------------------------------

Release date: 2022-12-12 Date of issue: 2022-12-12 Filename: t175236_eng.pdf

Refer to "General Notes Relating to Pepperl+Fuchs Product Information".

Pepperl+Fuchs Group
www.pepperl-fuchs.com

USA: +1 330 486 0001
fa-info@us.pepperl-fuchs.com

Germany: +49 621 776 1111
fa-info@de.pepperl-fuchs.com

Singapore: +65 6779 9091
fa-info@sg.pepperl-fuchs.com

 **PEPPERL+FUCHS**

Technical Data

Signal voltage		
High		8 ... 32 V DC
Signal duration		min. 1 s
Input 2		
Input type		upper limit of measurement range
Signal voltage		
High		8 ... 32 V DC
Signal duration		min. 1 s
Analog output		
Output type		analog voltage output or analog current output
Default setting		rising ramp at ccw rotation
Linearity error		≤ 0.15 %
Connection		
Connector		M12 connector, 5 pin
Cable		Ø6 mm, 4 x 2 x 0.14 mm ² , 1 m
Standard conformity		
Degree of protection		acc. DIN EN 60529
Connection side		cable models: IP54 connector models: IP65 Cable pull: IP50
Climatic testing		DIN EN 60068-2-3, no moisture condensation
Emitted interference		EN 61000-6-4:2007
Noise immunity		EN 61000-6-2:2005
Ambient conditions		
Ambient temperature		-30 ... 70 °C (-22 ... 158 °F)
Operating temperature		cable, flexing: -5 ... 70 °C (23 ... 158 °F) cable, fixed: -30 ... 70 °C (-22 ... 158 °F) connector models: -30 ... 70 °C (-22 ... 158 °F)
Storage temperature		-30 ... 70 °C (-22 ... 158 °F)
Relative humidity		98 % , no moisture condensation
Mechanical specifications		
Rope diameter		0.55 mm
Material		
Housing		nickel-plated steel
Cable pull		design 80/130 : Luranyl [®] or Lexan 920 design 190 : ABS-GF17
Flange		Aluminum
Rope		Stainless steel 1.4401/316
Life span		up to 10 ⁶ Cycles

Release date: 2022-12-12 Date of issue: 2022-12-12 Filename: t175236_eng.pdf

Refer to "General Notes Relating to Pepperl+Fuchs Product Information".

Pepperl+Fuchs Group
www.pepperl-fuchs.com

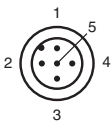
USA: +1 330 486 0001
fa-info@us.pepperl-fuchs.com

Germany: +49 621 776 1111
fa-info@de.pepperl-fuchs.com

Singapore: +65 6779 9091
fa-info@sg.pepperl-fuchs.com

 PEPPERL+FUCHS

Connection

Signal	Wire end	M12 connector
Analog output	Green	1
+V _s (encoder)	Red	2
GND (encoder)	Yellow	3
Set 2	White	4
Set 1	Brown	5
Shielding	Screen	Housing
Pinout	-	

Additional Information

Description of rotary encoder functions

Default Settings

	Lower measuring range limit	Mid measuring range	Upper measuring range limit
Singleturn absolute rotary encoder	0	180°	360°
Multiturn absolute rotary encoder	0	8 x 360°	16 x 360°

Programming Encoders with Operating Buttons

Scaling the measuring range

Use operating buttons "Lim1" and "Lim2" to scale the measuring range (minimum measuring range: 22.5°).

1. Press the two operating buttons ("Lim1" and "Lim2") simultaneously. Both LEDs will light up. Press and hold the operating buttons for 15 seconds until the two LEDs start to flash. The rotary encoder is now in programming mode.
2. Turn the rotary encoder shaft to position 1 (lower measuring range limit).
3. Press and hold operating button "Lim1" for 1 second. The green LED will now light up permanently.
4. Turn the rotary encoder shaft to position 2 (upper measuring range limit).
5. Press and hold operating button "Lim2" for 1 second.

The analog output is now scaled to the programmed measuring range and the rotary encoder will operate in normal mode. Only the green LED will light up.

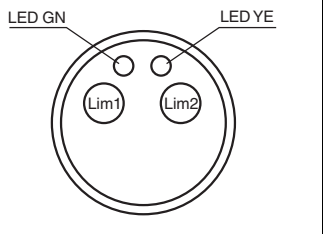
Resetting to the Default Setting

1. Press the two operating buttons ("Lim1" and "Lim2") simultaneously. Both LEDs will light up. Press and hold the operating buttons for 30 seconds. After 15 seconds, the two LEDs will start to flash.

When the green LED goes out and the yellow LED lights up permanently, the measuring range is reset to the default setting.

Status LEDs

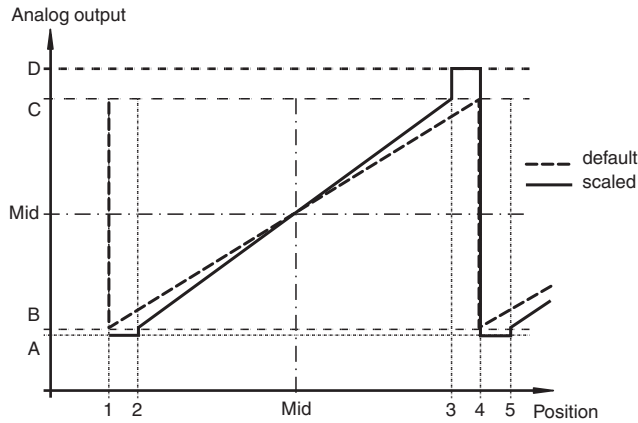
The rotary encoder is equipped with two status LEDs. These LEDs have three possible states: off, flashing, or on. The LEDs use different combinations of these states to indicate the status of the rotary encoder.

Yellow LED	Green LED	Description	
On	Off	Rotary encoder operation using default settings	
Off	On	Rotary encoder operation using scaled measuring range (customer-specific setting)	
On	On	Programming mode initiated (temporary state)	
Flashes	Flashes	Rotary encoder in programming mode	
On	Flashes	Position 2 set, waiting for position 1	
Flashes	On	Position 1 set, waiting for position 2	

Analog Output Properties

Depending on its design, the rotary encoder projects the current angular position of the rotary encoder shaft in an analog current or voltage value. The following graphic shows the values the output accepts at the various angular positions:

Release date: 2022-12-12 Date of issue: 2022-12-12 Filename: t175236_eng.pdf



Legend:

Encoder type ¹⁾		Angular position					
		1	2	Mid	3	4	5
Singleturn	Factory default setting	0°	-	180°	-	360°	-
	Scaled	0°	Lower measuring range limit	-	Upper measuring range limit	360°	Lower measuring range limit
Multiturn	Factory default setting	0°	-	2 ⁴ x 180°	-	2 ⁴ x 360°	-
	Scaled ²⁾	0°	Lower measuring range limit	-	Upper measuring range limit	2 ⁿ x 360°	Lower measuring range limit

n = whole number from 1 to 16

1) See model number

2) Overflow at 360°, 720°, 1440°, 2880°, 5760°, etc. depending on the scale set.

Encoder output type	Analog output value				
	A	B	Mid	C	D
0 V ... 5 V	-	0 V	2.5 V	5 V	-
0.5 V ... 4.5 V	0.25 V	0.5 V	2.5 V	4.5 V	4.75 V
0 V ... 10 V	-	0 V	5 V	10 V	-
0.5 V ... 9.5 V	0.25 V	0.5 V	5 V	9.5 V	9.75 V
4 mA ... 20 mA	3.6 mA	4 mA	12 mA	20 mA	22 mA
0 mA ... 20 mA	-	0 mA	10 mA	20 mA	-

Dimensions

Variable Data and Dimensions

Technical data	Design 80	Design 130	Design 190
Measuring length (in m)	03	05	10
Drum size (incl. cable) (in mm)	230	385	555
Retraction speed (in m/s)	6	3	4
Spring retraction force (in N)	5–6.3	4.5–7	9–12
Weight (in kg)	0.4	0.95	2.05
Rotary encoder Ø (in mm)	36		
Dimensions (in mm)			
A	71	73	88
B	30	32	40
C	41	41	48
D	67	110	-

Release date: 2022-12-12 Date of issue: 2022-12-12 Filename: t175236_eng.pdf

Refer to "General Notes Relating to Pepperl+Fuchs Product Information".

Pepperl+Fuchs Group
www.pepperl-fuchs.com

USA: +1 330 486 0001
fa-info@us.pepperl-fuchs.com

Germany: +49 621 776 1111
fa-info@de.pepperl-fuchs.com

Singapore: +65 6779 9091
fa-info@sg.pepperl-fuchs.com

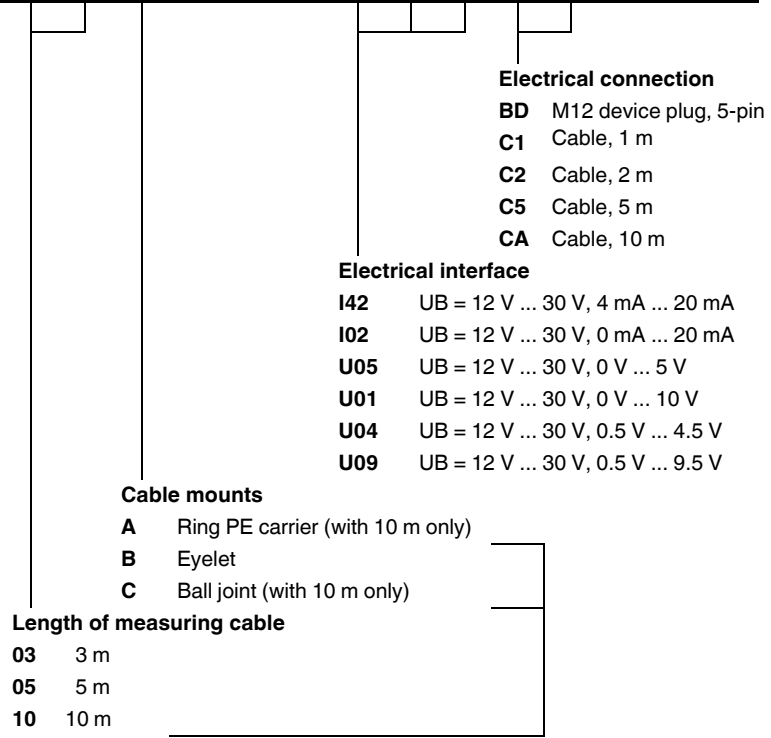
 PEPPERL+FUCHS

E	36	61	-
F	120	186	-
G	14.5	17	-
H	106	150	-
J	80	130	-

Type Code

Model Number

E	C	A	1	0	T	L	-					N	P	-						:	X	3
---	---	---	---	---	---	---	---	--	--	--	--	---	---	---	--	--	--	--	--	---	---	---



Release date: 2022-12-12 Date of issue: 2022-12-12 Filename: t175236_eng.pdf

Refer to "General Notes Relating to Pepperl+Fuchs Product Information".