

## Cable pull ECN40HD-\*

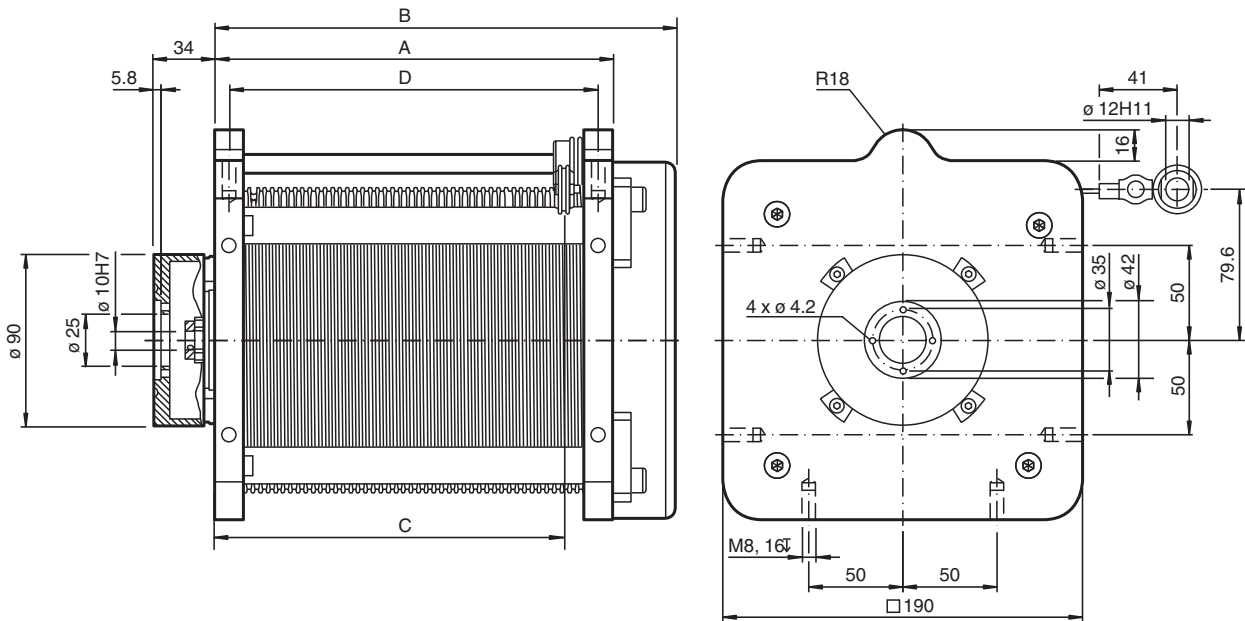
- Open cable pull system
- Up to 20 m of measuring cable
- Measuring cable diameter of 2 mm
- Drum with grooving (Lebus spooling) to increase service life and accuracy
- Ball joint as standard cable attachment point allows the attachment point to move with various degrees of freedom and prevents the measuring cable from kinking

### Cable pull

## Function

Cable pull for use in harsh ambient conditions.

## Dimensions



## Technical Data

### General specifications

Device type	Heavy duty
Measuring range	5000 ... 20000 mm
Drum perimeter	500 mm
Construction type	190 mm

### Ambient conditions

Ambient temperature	-30 ... 70 °C (-22 ... 158 °F)
---------------------	--------------------------------

Release date: 2022-12-12 Date of issue: 2022-12-12 Filename: t175242\_eng.pdf

Refer to "General Notes Relating to Pepperl+Fuchs Product Information".

Pepperl+Fuchs Group  
www.pepperl-fuchs.com

USA: +1 330 486 0001  
fa-info@us.pepperl-fuchs.com

Germany: +49 621 776 1111  
fa-info@de.pepperl-fuchs.com

Singapore: +65 6779 9091  
fa-info@sg.pepperl-fuchs.com

**PF** PEPPERL+FUCHS

## Technical Data

Mechanical specifications	
Rope diameter	2 mm
Tension force at rope	22 ... 37 N
Retraction speed	4 m/s
Degree of protection	IP65
Material	
Housing	anodized aluminum
Spring housing	lacquer-coated aluminum
Rope	Stainless steel 1.4401/316, plastic sheathing
Life span	up to 10 <sup>6</sup> Cycles
General information	
Scope of delivery	Shaft coupling for attaching a rotary encoder , Mounting clips , bolts for mounting the adapter and a rotary encoder , Sealing elements (various seals for mounting a rotary encoder) , Hexagon socket wrench, 1.3 AF

## Dimensions

### Variable sizes

Technical Data	Design 190			
Measuring length (in m)	05	10	15	20
Repeatability (max. in mm)	0.5	1	1.5	2
Hysteresis (max. in mm)	2	4	5	6
Weight in kg	5	5.5	6	7.5
<b>Dimensions (in mm)</b>				
A	90	130	170	210
B	123	163	203	243
C	64	104	144	184
D	75	115	155	195

## Type Code

### Model Number

E	C	N	4	0	H	D	-			C	N	A	-	X	4	:	N	N
---	---	---	---	---	---	---	---	--	--	---	---	---	---	---	---	---	---	---

└──┬──  
 Length of measuring cable  
**05** 5 m  
**10** 10 m  
**15** 15 m  
**20** 20 m

Release date: 2022-12-12 Date of issue: 2022-12-12 Filename: t175242\_eng.pdf