

Features

- Internal power supply for AC or 24 V DC input
- VisuNet RM Shell 4.x or 5.x installed
- Option for Class I/Div 2 hazardous locations
- Supports up to 4 monitors
- Energy-efficient fanless design
- Dual NIC Cards
- Enhanced Performance and Security
- Option for ACP ThinManager "Ready"

Application

A rugged, industrial box thin client specially designed to withstand high temperatures, shock, and vibration.

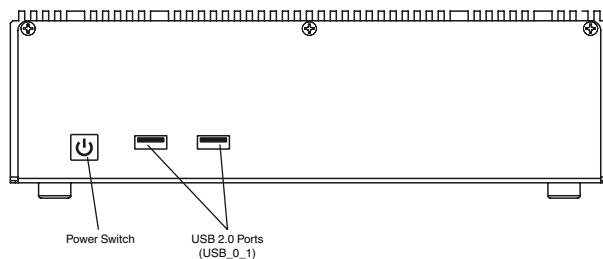
It has an Intel® Bay Trail series quadcore Celeron® processor and runs our VisuNet RM Shell 4.x or 5.x for easy setup and administration of connections to remote host PCs or virtualized server infrastructures. Up to four monitors can be connected with an optional PCI-E graphics card expansion.

The fanless aluminum housing offers IP41 protection, an option for Class I/ Div. 2 certification, and mounting options for control room or cabinet installation.

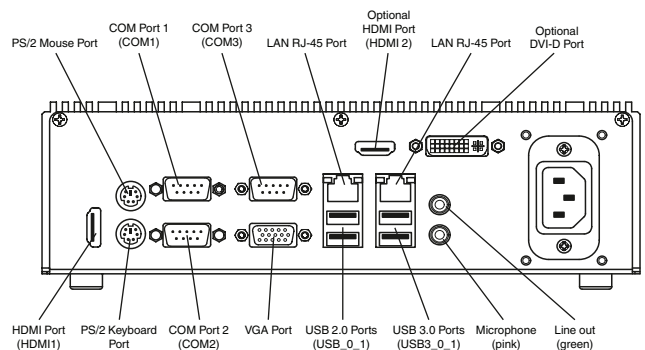


Connection

Front View



Back View



Release date 2018-12-21 14:16 Date of issue 2018-12-21 1176842_eng.xml

Refer to "General Notes Relating to Pepperl+Fuchs Product Information".

Pepperl+Fuchs Group
www.pepperl-fuchs.com

USA: +1 330 486 0002
pa-info@us.pepperl-fuchs.com

Germany: +49 621 776 2222
pa-info@de.pepperl-fuchs.com

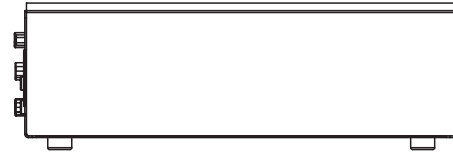
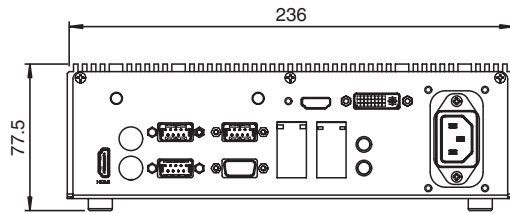
Singapore: +65 6779 9091
pa-info@sg.pepperl-fuchs.com

Hardware	
Processor	Celeron J1900 Graphics controller: Intel® Gen7 Graphics DX 11*, OGL3.2 GPU (expansion): NVIDIA GeForce GT 730 (2 GB memory)
RAM	4 GB DDR3L
Mass storage	32 GB mSATA
Supply	
Power supply	100 ... 240 V AC, 50 ... 60 Hz, 40 W max. 12 V DC, 4.0 A 18 ... 30 V DC, 2.6 ... 1.6 A
Power ON	AT/ATX Supported AT: Directly PWR on as operating voltage ready ATX: Press Button to PWR on after operating voltage ready
Interface	
Interface type	USB: Front: 2 x USB 2.0, rear: 2 x USB 2.0, 2 x USB 3.0 LAN: 2 x RJ45 (Gigabit Ethernet) Serial: 3 x RS232 Video (standard): 1 x HDMI (up to WUXGA, 1920 x 1200), 1 x VGA (up to WUXGA, 1920 x 1200) Video (option): 1 x HDMI (up to 3840 x 2160 @ 30Hz); 1 x DVI-D (up to WQXGA, 2560 x 1600) Audio: 1 x mic in, 1 x line out
Directive conformity	
Electromagnetic compatibility	
Directive 2014/30/EU	EN 61326-1
Low voltage	
Directive 2014/35/EU	EN 60950-1
Software	
Operating system	Windows® 10 IoT Enterprise x64 (VisuNet RM Shell 5.x) Windows® Embedded Standard 7 (VisuNet RM Shell 4.x)
Ambient conditions	
Operating temperature	-20 ... 60 °C (-4 ... 140 °F)
Storage temperature	-20 ... 70 °C (-4 ... 158 °F)
Relative humidity	0 ... 95% non-condensing
Shock resistance	operating: 20 g , 11 ms all axis, IEC 60068-2-27
Vibration resistance	operating: 2 g rms , 5 ... 500 Hz , IEC 60068-2-6
Mechanical specifications	
Degree of protection	IP41 (with I/O covers or cables plugged in)
Mass	3.5 kg
Dimensions	229 mm x 236 mm x 77.5 mm
Mounting	Desktop or wall mounting
International approvals	
UL approval	Hazardous locations: UL Listing E190294; Class I, Div 2, Groups A, B, C, D (18 ... 30 V DC version only) Ordinary locations: UL Listing E185778 (all DC versions)

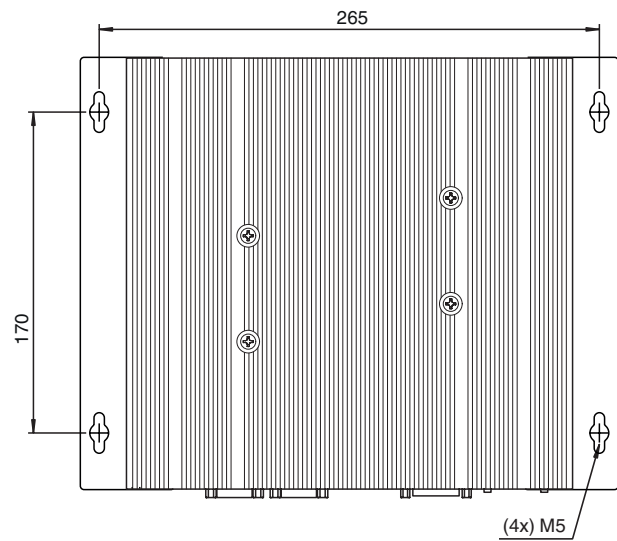
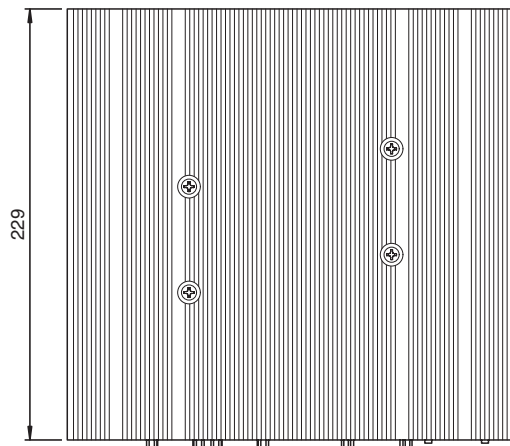
Release date 2018-12-21 14:16 Date of issue 2018-12-21 t176842_eng.xml

Dimensions

Desktop Mount



Wall Mount



Accessories

VISUNET-CONTROL-CENTER

DKX2-101-V2

Raritan Dominion KVM Switch

VISUNET-RM-SHELL5

Thin Client Firmware for VisuNet Remote Monitors

VISUNET-RM-SHELL5-DRDC

DRDC License Key for RM Shell 5

VISUNET-RM-SHELL5-PRO

PRO License Key for RM Shell 5

VISUNET-RM-SHELL5-CC

VisuNet Control Center License Key for RM Shell 5

VISUNET-RM-SHELL4

VISUNET-RM-SHELL4-CC

VISUNET-RM-SHELL4-DRDC

VISUNET-RM-SHELL4-PRO

Release date 2018-12-21 14:16 Date of issue 2018-12-21 t176842_eng.xml

Accessories

Mounting Kits

Model	Description
BTC-Wallmount-Kit-1	Boxed Thin Client wall mount kit

Video Adaptors

Model	Description
ADP-V-DVIM-VGAF	Video Adaptor; DVI-D male to VGA female
ADP-V-HDMIM-VGAF	Video Adaptor; HDMI male to VGA female
ADP-V-HDMIM-DVIF	Video Adaptor; HDMI male to DVI-D female
ADP-V-DVIM-HDMIF	Video Adaptor; DVI-D male to HDMI female
ADP-V-VGAM-HDMIF	Video Adaptor; VGA male to HDMI female

All BTC01*units come with US/JP type power cable. Other types must be purchased seperately.

Power cable for AC powered unit

Model	Description
S-BN-12/1500-US/JP2	AC power cord; IEC320-C13 to US/Japan
S-BN-12/1500-EU2	AC power cord; IEC320-C13 to European
S-BN-12/1500-UK2	AC power cord; IEC320-C13 to United Kingdom
S-BN-12/1500-AU2	AC power cord; IEC320-C13 to Australian

Power cable for 12 V DC external power supply

Model	Description
S-BN-24/1500-US/JP1	AC power cord; IEC320-C8 to US/Japan
S-BN-24/1500-EU1	AC power cord; IEC320-C8 to European
S-BN-24/1500-UK1	AC power cord; IEC320-C8 to United Kingdom
S-BN-24/1500-AU1	AC power cord; IEC320-C8 to Australian
PG12-BTC1	Replacement external 12 V DC power supply (mating power cord not included)

Licenses

Model	Description
VISUNET-RM-SHELL4-PRO	License to unlock professional functionality
VISUNET-RM-SHELL4-DRDC	License to unlock DRDC functionality
VISUNET-RM-SHELL4-CC	License to unlock VisuNet Control Center functionality
VISUNET-RM-SHELL5-PRO	License to unlock professional functionality
VISUNET-RM-SHELL5-DRDC	License to unlock DRDC functionality
VISUNET-RM-SHELL5-CC	License to unlock VisuNet Control Center functionality

KVM Switch

Model	Description
DKX2-101-V2	Raritan Dominion KVM-over-IP switch

Release date 2018-12-21 14:16 Date of issue 2018-12-21 t176842_eng.xml

Type code

BTC01	N	-	GP	-	D1	2	-	TS1	-	2V1	N1	-	N
-------	---	---	----	---	----	---	---	-----	---	-----	----	---	---

- N** None
- N1** 2x Gigabit Ethernet
- 2V1** 1 x VGA, 1 x HDMI
- 4V1** 1 x VGA, 2 x HDMI, 1 x DVI
- TS1** Celeron J1900, 4 GB RAM, 32 GB mSATA, Windows 7, VisuNet RM Shell 4.0
- TS2** Celeron J1900, 4 GB RAM, 32 GB mSATA, Win10 IoT, VisuNet RM Shell 5.0
- TTR** Celeron J1900, 4 GB RAM, ACP ThinManager Ready (Quad video option requires ThinManager 9.0)
- 1** AT Mode
- 2** ATX Mode
- A1** 100 ... 240 V AC (GP only)
- D1** 12 V DC (external power supply included - GP version only)
- D2** 18 ... 30 V DC (GP or Div 2)
- GP** General purpose / Non-Ex
- D2** Class I/Div 2 Group A, B, C, D (18 ... 30 V DC powered version only)
- N** Standard enclosure (aluminium IP42 enclosure)
- P** Prepared for use in purged enclosure (aluminum vented enclosure)
- BTC01** Box Thin Client

Release date 2018-12-21 14:16 Date of issue 2018-12-21 t176842_eng.xml

Refer to "General Notes Relating to Pepperl+Fuchs Product Information".