



6500 proportional Valve

6500-MAN-PV-01

- Intrinsically Safe, 4 ... 20 mA proportional valve
- Pneumatic connections 10 mm compression ferrule tube fittings
- ATEX certification
- Maximum flow of around 8 scfm
- Closed loop flow rate control for precise dilution applications

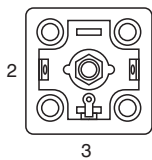
Type Ex px purge and pressurization system



Function

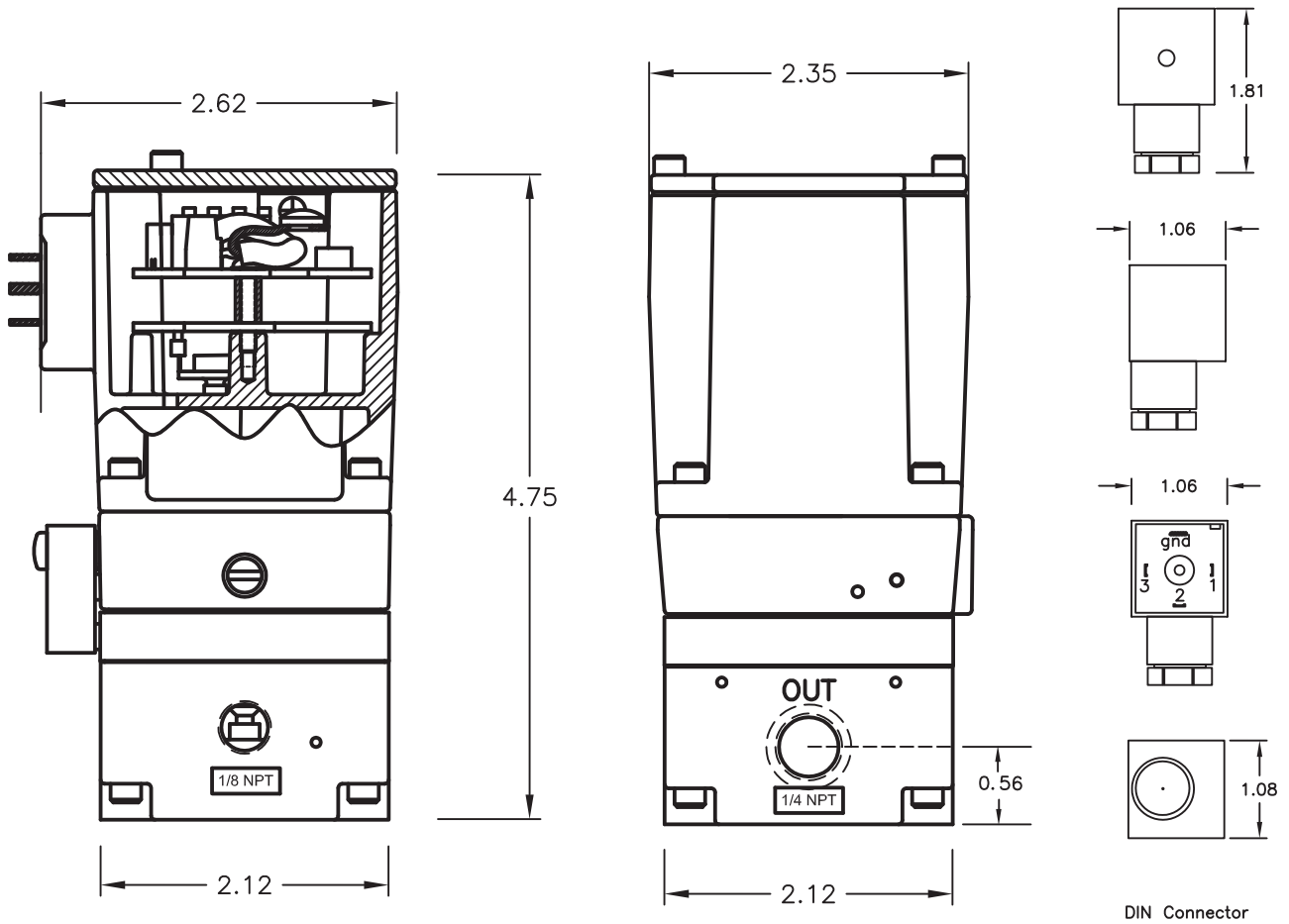
The 6500-MAN-PV-01 proportional valve consists of a Bellofram Type 2000 I/P, 10 mm ferrule fittings for tubing, and 10 mm tube bulkhead fitting with tubing included for connection to the enclosure. The 6500-MAN-PV-01 is designed to be used with the 6500 control unit system in 'PROPORTIONAL' mode for dilution applications. This system offers an ideal solution for precisely controlling the flow of protective air to maintain the dilution area within the enclosure when a containment system leaks under normal and/or abnormal conditions.

Connection



2	+
3	-

Dimensions



Technical Data

General specifications	
Operating mode	automatic purging + pressurization
Series	6500
Electrical specifications	
Supply	I.S. 4 to 20 mA loop powered Entity Parameters: $U_i = 30\text{ V}$ $I_i = 200\text{ mA}$ $C = \mu\text{S}$ $L = 0\ \mu\text{H}$ $P_1 = 1\text{ W total}$
Pneumatic parameters	
Protective gas supply	instrument grade air or inert gas
Pressure requirement	1.0 bar (15 psi) to 8.3 bar (120 psi)
Safe pressure	Gas: 0.35" wc (8,88 mm wc) (0.88 mbar/ 88 pa) Dust: 0.35" wc (8,88 mm wc) (0.88 mbar/ 88 pa) Gas+Dust: 0.35" wc (8,88 mm wc) (0.88 mbar/ 88 pa)
Valve flows	6500-MAN-PV: Proportional valve Purging/pressurization/dilution: 17 l/min to 226 l/min (0.6 to 8 scfm)
Connections	Inlet and outlet of valves 6500-MAN-PV-01: 3/8" NPT, double ferrule 10mm compression fittings (included)
Ambient conditions	
Ambient temperature	-20 ... 60 °C (-4 ... 140 °F)
Storage temperature	-20 ... 60 °C (-4 ... 140 °F)
Mechanical specifications	
Connection type	10 mm stainless steel ferrule tube fittings

Release date: 2021-01-08 Date of issue: 2021-01-08 Filename: t179867_eng.pdf

Refer to "General Notes Relating to Pepperl+Fuchs Product Information".

 Pepperl+Fuchs Group
www.pepperl-fuchs.com

 USA: +1 330 486 0002
pa-info@us.pepperl-fuchs.com

 Germany: +49 621 776 2222
pa-info@de.pepperl-fuchs.com

 Singapore: +65 6779 9091
pa-info@sg.pepperl-fuchs.com

Technical Data

Cable gland	I.S. connection: Hirschmann DIN 43650-A connector
Degree of protection	IP65 (DIN connector)
Material	painted aluminum body
Mass	700 g (1.5 lbs)
Dimensions	134 x 57 x 80 mm (5.3" x 2.3" x 3.2")
Data for application in connection with hazardous areas	
EU-Type Examination Certificate	ATEX II 1 G EEx ia IIC T4 Tamb= -20 to 60 °C
Directive conformity	CE