



# 6500 Control Unit Mounting Brackets

## 6500-01-\*-BKT01

- Mounting brackets for 6500 external or internal mounting
- Mounting hardware included
- 316 Stainless steel material
- Universal external mount for top, bottom, side mounting
- Easy mounting bracket to most flat panels for internal mounting

Type Ex px purge and pressurization system

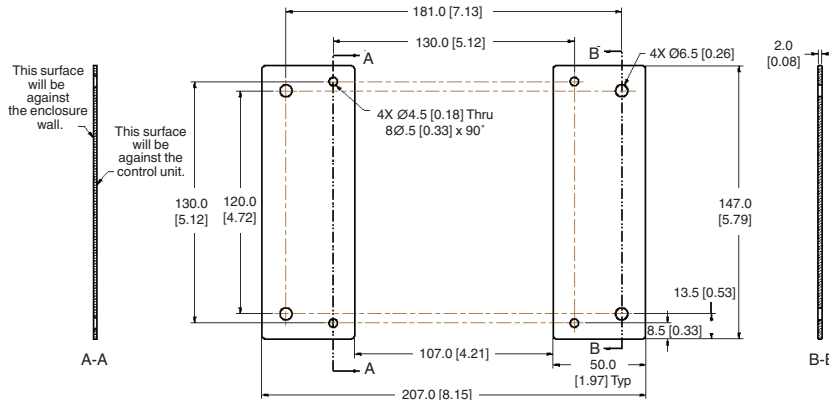


### Function

To be used with the 6500 control unit for easy external or internal mounting to the pressurized enclosure. Includes mounting bracket to secure the 6500 control unit to the enclosure, as well as the necessary mounting equipment. The 6500-01-EXT1-\*BKT01 is for mounting the 6500 to the enclosure externally. The 6500-01-INT1-BKT01 is for mounting the 6500 inside the enclosure or to a flat panel.

### Dimensions

#### 6500-01-INT1-BKT01



Release date: 2024-02-12 Date of issue: 2024-02-12 Filename: t180358\_eng.pdf

Refer to "General Notes Relating to Pepperl+Fuchs Product Information".

Pepperl+Fuchs Group  
www.pepperl-fuchs.com

USA: +1 330 486 0002  
pa-info@us.pepperl-fuchs.com

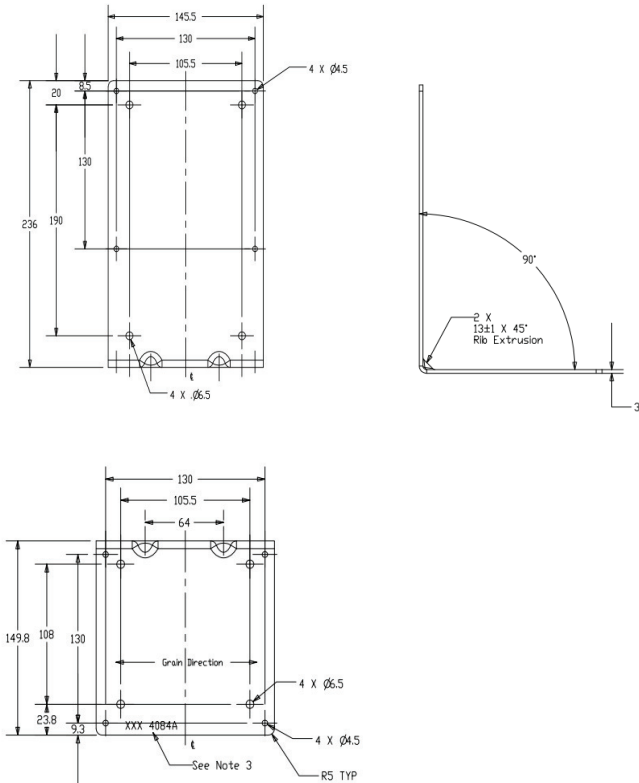
Germany: +49 621 776 2222  
pa-info@de.pepperl-fuchs.com

Singapore: +65 6779 9091  
pa-info@sg.pepperl-fuchs.com



**Dimensions**

**6500-01-EXT1-BKT01**



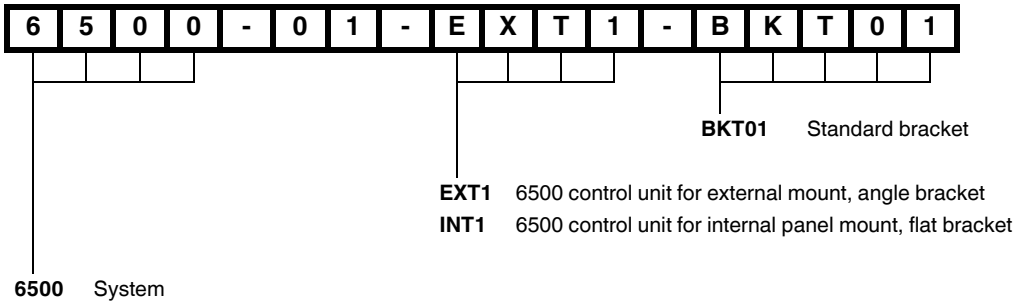
**Technical Data**

<b>General specifications</b>	
Operating mode	For mounting 6500 control unit to enclosure or back panel
Series	6500
<b>Mechanical specifications</b>	
Material	<b>Bracket:</b> 316/316L stainless steel <b>Mounting bolts (bracket to enclosure):</b> (4) M6, 316 stainless steel (included) <b>Sealing washers:</b> (4) silicon rubber (included) <b>Mounting bolts (EPCU to bracket):</b> (1) M4x0.7, 316 stainless steel (included)
Mass	<b>6500-01-EXT1-BKT01:</b> 1.8 kg <b>6500-01-INT1-BKT01:</b> 2 kg
Dimensions	see dimension drawing
<b>General information</b>	
Scope of delivery	Two (2) brackets included for each 6500-01-INT1-BKT01. Mounting hardware also included.

Release date: 2024-02-12 Date of issue: 2024-02-12 Filename: t180358\_eng.pdf

Refer to "General Notes Relating to Pepperl+Fuchs Product Information".

**Type Code**



Release date: 2024-02-12 Date of issue: 2024-02-12 Filename: t180358\_eng.pdf

Refer to "General Notes Relating to Pepperl+Fuchs Product Information".

Pepperl+Fuchs Group  
 www.pepperl-fuchs.com

USA: +1 330 486 0002  
 pa-info@us.pepperl-fuchs.com

Germany: +49 621 776 2222  
 pa-info@de.pepperl-fuchs.com

Singapore: +65 6779 9091  
 pa-info@sg.pepperl-fuchs.com