

Features

- 21.5 inch Full HD display
- Enclosure and mounting options for the GXP display unit
- Ideally positioned cable glands for all necessary connections
- 304 stainless steel constructions

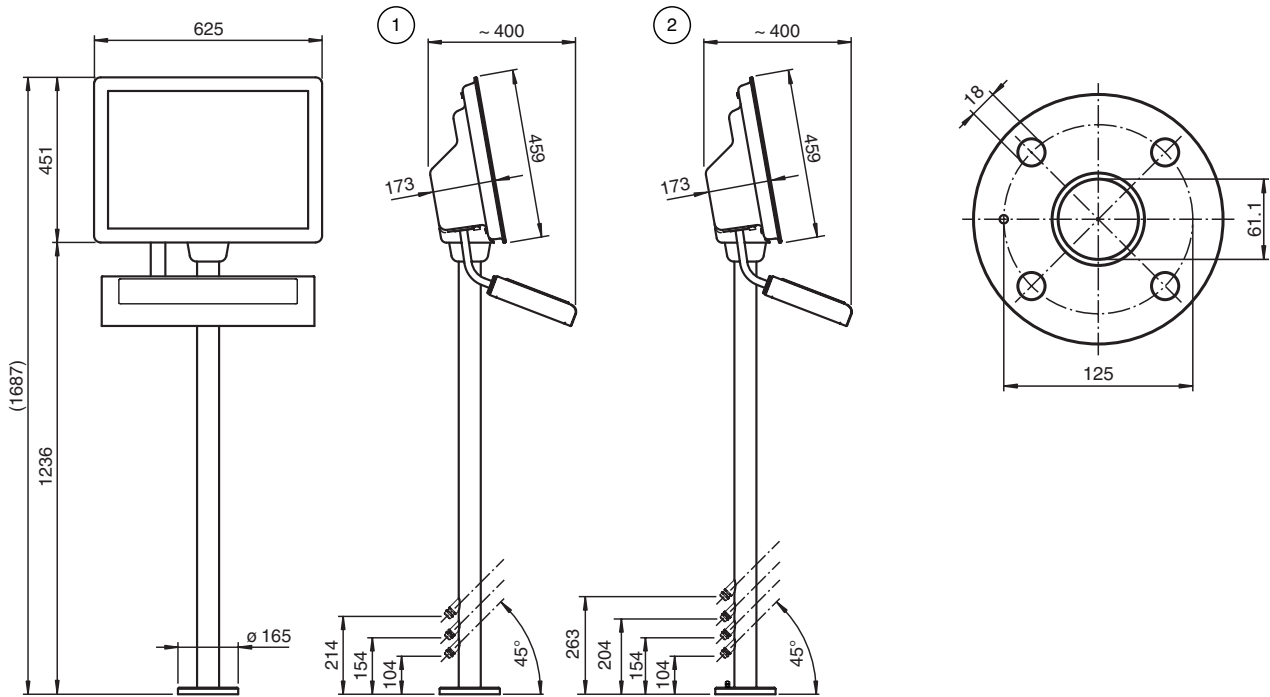
Application

Various mounting options are available for VisuNet GXP operator workstations, including direct wall mounting bracket, stainless steel enclosure, and rotating pedestal.



Ordering Information

Pedestal

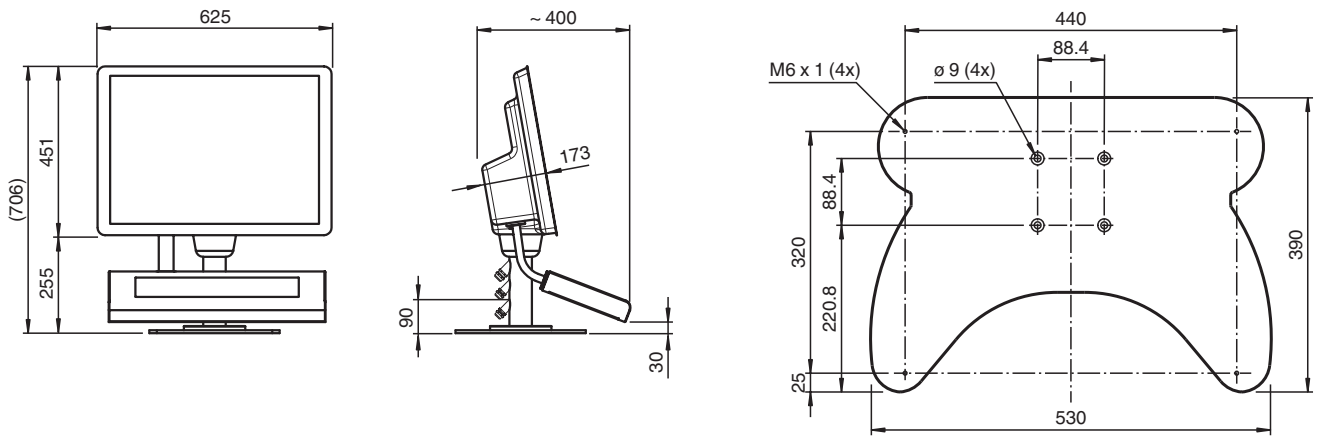


	Order Code	Specification	Part Number
1	PEDESTAL-XX00-124-3-304-TRN-N0	<ul style="list-style-type: none"> Swivel pedestal, floor mount Compatible with housing AG-XX00-* Height: approx. 124 cm Cable glands: 1 x M20, 2 x M16 (at bottom) Material: Stainless steel AISI 304 (1.4301) Angle of rotation: 300° Incl. swivel housing coupling 	548003
2	PEDESTAL-XX00-124-4-304-TRN-N0	<ul style="list-style-type: none"> Swivel pedestal, floor mount Compatible with housing AG-XX00-* Height: approx. 124 cm Cable glands: 1 x M20, 3 x M16 (at bottom) Material: Stainless steel AISI 304 (1.4301) Angle of rotation: 300° Incl. swivel housing coupling 	548306

Release date 2019-06-28 14:59 Date of issue 2019-06-28 t183344_eng.xml

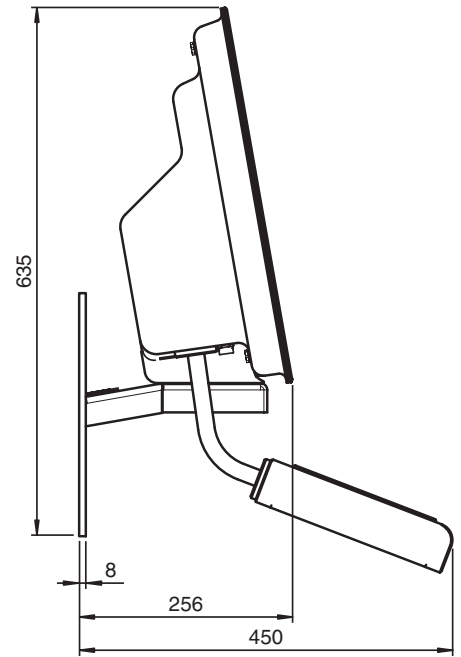
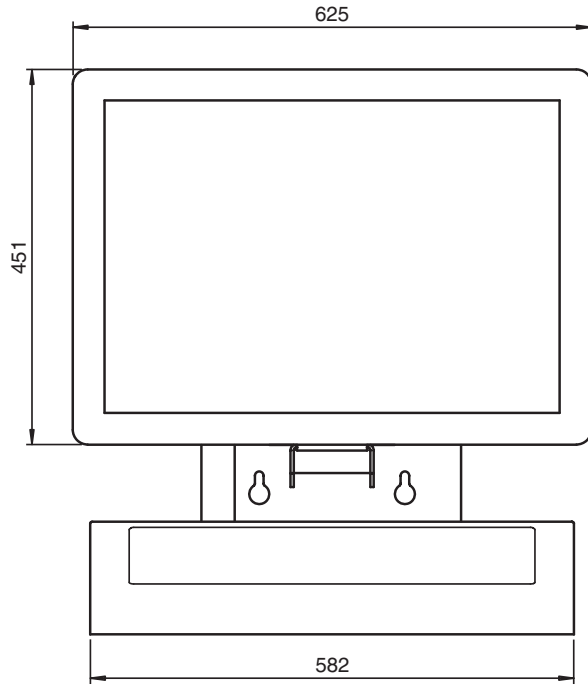
Refer to "General Notes Relating to Pepperl+Fuchs Product Information".

Pedestal



	Order Code	Specification	Part Number
1	PEDESTAL-XX00-49-3-304-TRN-Y1	<ul style="list-style-type: none"> • Pedestal, table mount, turnable • Compatible with housing AG-XX00-* • Height: approx. 26 cm • Cable glands: 1x M20, 2x M16 (at bottom) • Material: Stainless steel AISI 304 (1.4301) • Angle of rotation: 300° • Incl. housing coupling, turnable 	304820

Wall Mounting Option



	Order Code	Specification	Part Number
1	WALL-BRACKET-XX00-3-304-N0	<ul style="list-style-type: none"> • Adapter for direct wall mounting • Compatible with housing AG-XX00 • Cable glands: 1x M20, 2x M16 (at bottom) • Material: stainless steel AISI 304 (1.4301) 	548071

Release date 2019-06-28 14:59 Date of issue 2019-06-28 t183344_eng.xml

Refer to "General Notes Relating to Pepperl+Fuchs Product Information".

Pepperl+Fuchs Group
www.pepperl-fuchs.com

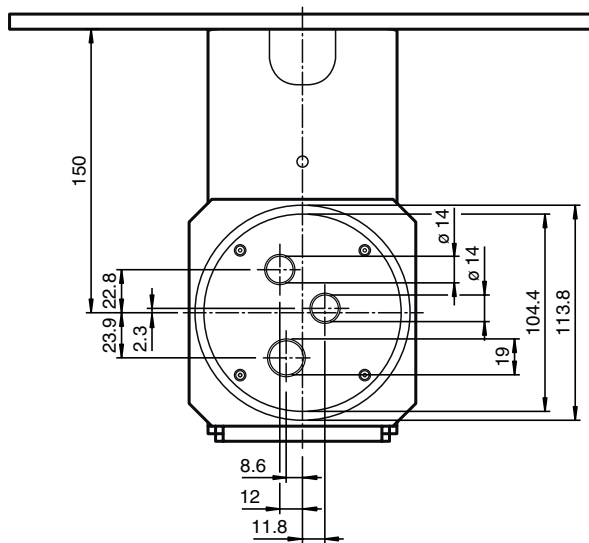
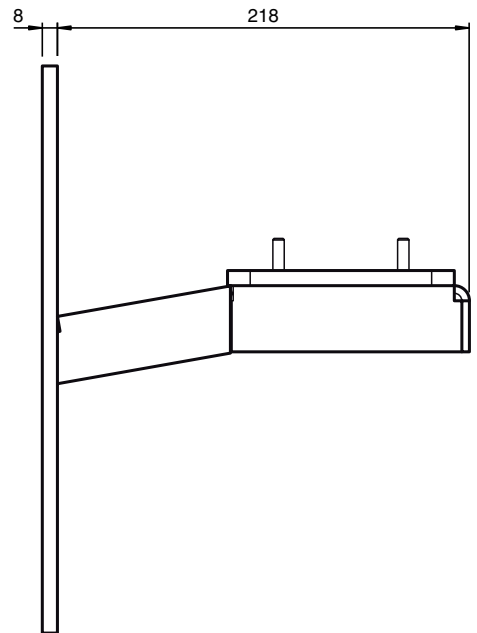
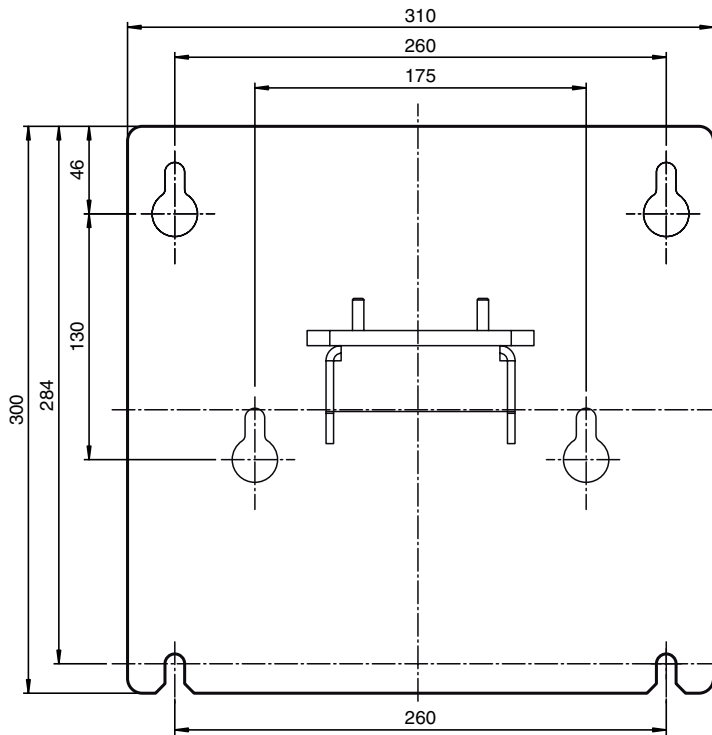
USA: +1 330 486 0002
pa-info@us.pepperl-fuchs.com

Germany: +49 621 776 2222
pa-info@de.pepperl-fuchs.com

Singapore: +65 6779 9091
pa-info@sg.pepperl-fuchs.com

Hole Pattern

Wall Mount



Release date 2019-06-28 14:59 Date of issue 2019-06-28 t183344_eng.xml

Refer to "General Notes Relating to Pepperl+Fuchs Product Information".

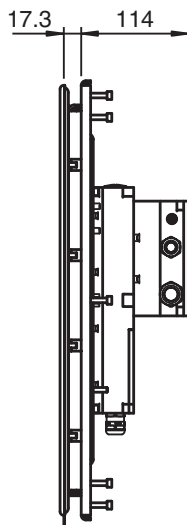
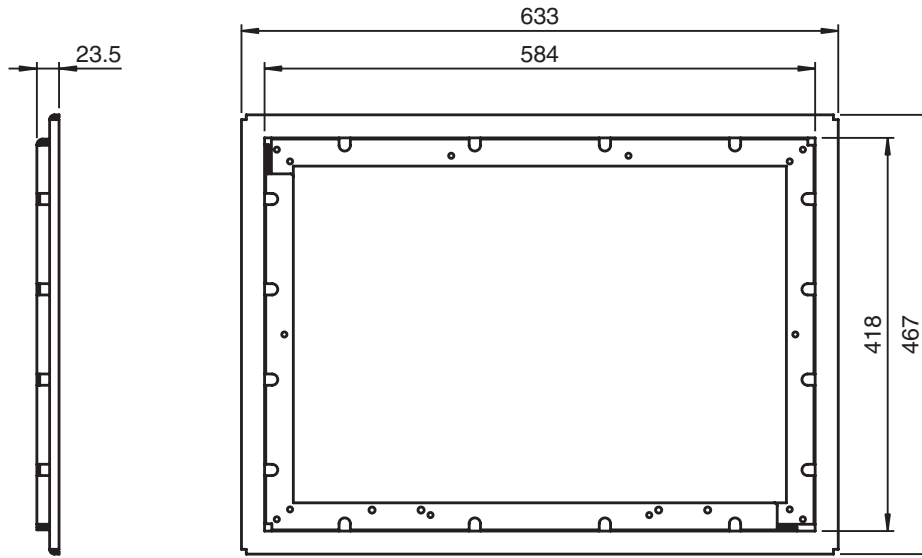
Pepperl+Fuchs Group
www.pepperl-fuchs.com

USA: +1 330 486 0002
pa-info@us.pepperl-fuchs.com

Germany: +49 621 776 2222
pa-info@de.pepperl-fuchs.com

Singapore: +65 6779 9091
pa-info@sg.pepperl-fuchs.com

Panel-Mounting Kit



Release date 2019-06-28 14:59 Date of issue 2019-06-28 1183344_eng.xml

	Order Code	Specification	Part Number
1	KIT-PM-XX00-22FF-304-N0	<ul style="list-style-type: none"> • Kit for Panel Mounting • Compatible with 21,5" display unit (option 22F) • Material: Stainless steel AISI 304 (1.4301), brushed • Incl. mounting screws 	548004

Refer to "General Notes Relating to Pepperl+Fuchs Product Information".