



Panel PC

VisuNet EX2 GMP PC3721

- PC solution with pre-installed Windows® operating system
- 21.5" (54.6 cm); 1920 x 1080 Full HD
- 16:9 aspect ratio widescreen formatting to match engineering stations
- Certified for ATEX and IECEx Zone 2/22
- Full HD Resolution
- Stainless steel housing with a surface finish of $\leq 0.8 \mu\text{m}$
- Easy-to-clean design that complies with GMP guidelines
- IP66 rating of the entire system

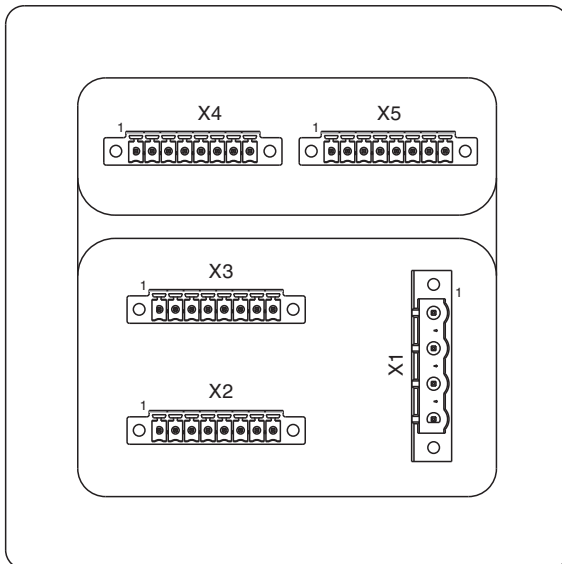
21.5 inch (54.6 cm) panel PC



Function

VisuNet EX2 GMP devices are operator workstations for use in GMP conditions and come with a manufacturer's declaration of conformity to this effect. Typical applications are the pharmaceutical and food industries as well as the production of cosmetics, flavor, and nutrition. The operator workstations are available as remote monitors and as panel PCs. The panel PCs are especially suitable as stand-alone solutions or in conjunction with a PLC. Panel PCs come with all the functionality of PCs. The panel PCs run under Windows® 7 Ultimate FES or Windows® 10 IoT Enterprise LTSB. Software packages for control, visualization, and production can thus be easily installed.

Connection



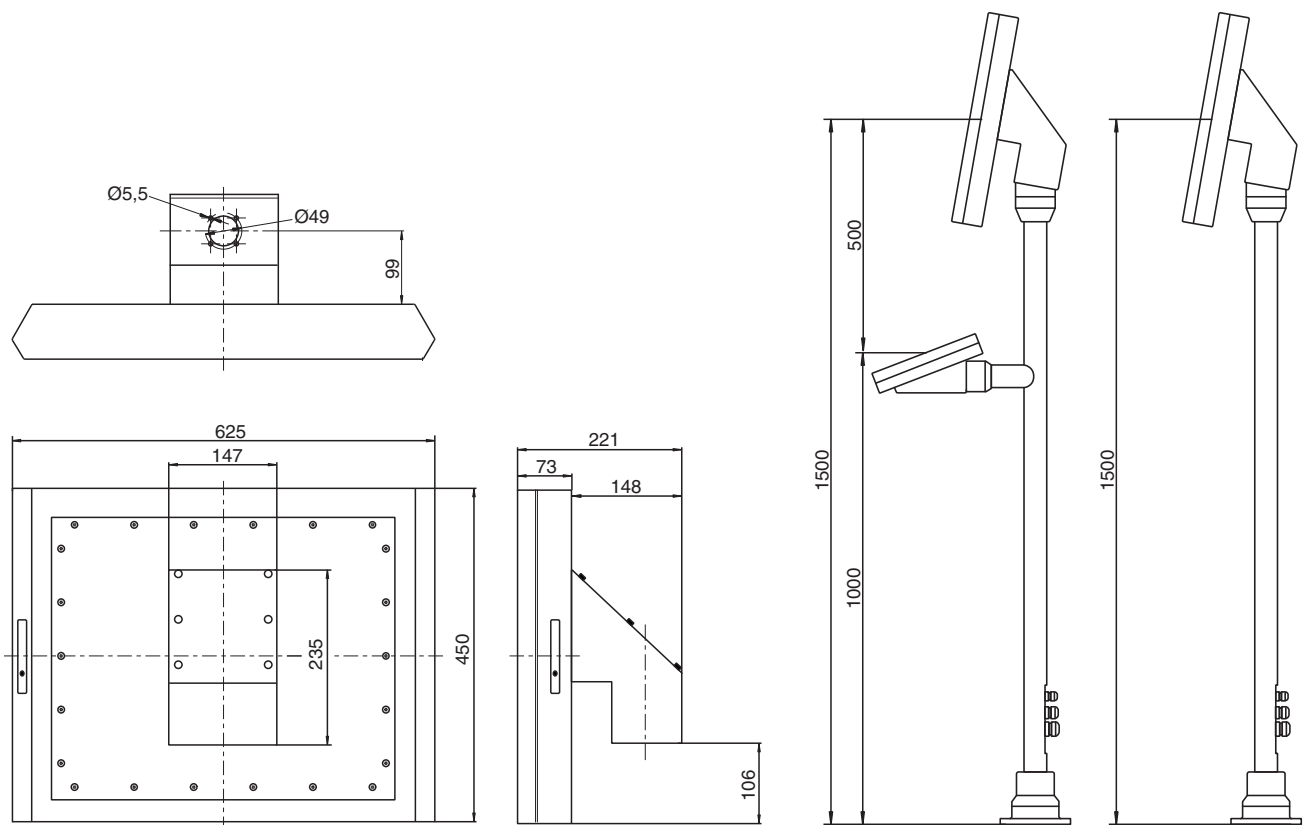
- X1 Power supply Ex ec
- X2 Ethernet Ex ec
- X3 Com 3 Ex ec; USB Ex ec
- X4 USB Ex ic (mouse/keyboard)
- X5 USB Ex ic

Devices of type VisuNet EX2 GMP always consist of 2 units:

1. VisuNet EX2 GMP basic unit (display)
2. EX2 mounting bracket

Only VisuNet EX2 GMP basic units (displays) with proper EX2 mounting bracket are allowed to be used in hazardous areas (Zone 2/22).

Dimensions



Technical Data

General specifications

Type	Personal Computer
------	-------------------

Hardware

Processor	Intel® Atom™ E3826 1.46 GHz
RAM	Up to 8 GB RAM
Mass storage	120 GByte Solid State Drive

Supply

Rated voltage	U_r	24 V DC
Input voltage range	U	20 ... 30 V DC (SELV)
Power consumption		max. 60 W

Indicators/operating means

Display

Type	Liquid Crystal Display (LCD) with LED backlight
Screen diagonal	54.6 cm (21.5 inch)
Resolution	1920 x 1080 pixels (Full HD) Aspect ratio 16:9
Color depth	24-bit color depth (16.7 million colors)
Contrast	5000:1 (typically)
Brightness	300 cd/m ² (nit)
Life span	back lamp life: 50.000 hrs typical half life , at 25 °C (77 °F)
Input devices	optional: projective capacitive, 10 finger multi-touch, glove-friendly optional: analog-resistive Foil keyboard with different pointing device options available (see EXTA3 datasheet)

Interface

Interface type	1 x Ethernet (Ex ec) , 3 x USB (Ex ic) , 1 x RS 232 (Ex ec) , 1 x USB (Ex ec)
----------------	---

Directive conformity

Release date: 2021-11-09 Date of issue: 2021-11-09 Filename: t183624_eng.pdf

Refer to "General Notes Relating to Pepperl+Fuchs Product Information".

Pepperl+Fuchs Group
www.pepperl-fuchs.com

USA: +1 330 486 0002
pa-info@us.pepperl-fuchs.com

Germany: +49 621 776 2222
pa-info@de.pepperl-fuchs.com

Singapore: +65 6779 9091
pa-info@sg.pepperl-fuchs.com

 PEPPERL+FUCHS

Technical Data

Electromagnetic compatibility	
Directive 2014/30/EU	EN 61000-6-2:2005 EN IEC 61000-6-4:2019
Software	
Operating system	Microsoft® Windows® 10 IoT Enterprise 2016 LTSB (x 64)
Ambient conditions	
Ambient temperature	0 ... 50 °C (32 ... 122 °F)
Storage temperature	-10 ... 60 °C (14 ... 140 °F)
Relative humidity	max. 85 % non-condensing
Mechanical specifications	
Degree of protection	IP66
Material	
Surface	System housing: stainless steel 1.4301 / AISI 304 except rear panel Rear panel: aluminum 6061 T6 anodized with nickel acetate EXTA3--F--U02-C-10-N hinges: zinc die-cast nickel-plated (Cu-Ni layer system)
Surface quality	$R_a \leq 0.8 \mu\text{m}$
Mounting type	slim line housing several mounting options (pedestal turnable)
Mass	approx. 13 kg
Dimensions	625 mm x 450 mm x 73 mm (monitor)
Data for application in connection with hazardous areas	
Certificate	PF 16 CERT B0F0AX
Marking	Ⓜ II 3G Ex ic ec [ic] IIC T4 Gc (capacitive touchscreen) Ⓜ II 3G Ex ic ec nC [ic] IIC T4 Gc (resistive touchscreen) Ⓜ II 3D Ex ic tc [ic] IIC T85°C Dc
Directive conformity	
Directive 2014/34/EU	EN IEC 60079-0:2018 EN 60079-7:2015 EN 60079-11:2012 EN 60079-15:2010 EN 60079-31:2009
Power supply	
Connection	X1: 1 ... 4 (Ex ec)
Rated voltage	24 V DC
Rated current	< 3.8 A
Maximum safe voltage U_m	60 V
Interface type 1	
Connection	Ethernet (Ex ec)
Connection	X2: 1 ... 8
Rated voltage	30 V
Rated current	400 mA
Maximum safe voltage U_m	60 V
Interface type 2	
Connection	Serial interface RS 232 (Ex ec)
Connection	X3: 1 ... 4
Rated voltage	±15 V
Rated current	200 mA
Maximum safe voltage U_m	60 V
Interface type 3	
Connection	USB (Ex ec)
Connection	X3: 5 ... 8
Rated voltage	5 V
Rated current	< 500 mA
Maximum safe voltage U_m	60 V
Interface type 4	
Connection	USB (Ex ic)
Connection	X4: 1 ... 4 X4: 5 ... 8
Voltage U_o	4.95 V

Release date: 2021-11-09 Date of issue: 2021-11-09 Filename: t183624_eng.pdf

Refer to "General Notes Relating to Pepperl+Fuchs Product Information".

Pepperl+Fuchs Group
www.pepperl-fuchs.com

USA: +1 330 486 0002
pa-info@us.pepperl-fuchs.com

Germany: +49 621 776 2222
pa-info@de.pepperl-fuchs.com


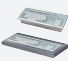

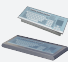

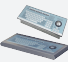
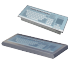
Singapore: +65 6779 9091
pa-info@sg.pepperl-fuchs.com

 **PEPPERL+FUCHS**

Technical Data

Current I_o	234 mA
Power P_o	570 mW
Characteristic curve	trapezoid
Internal resistor	41.6 Ω
Lumped capacitances OR inductances	$C_o = 100 \mu\text{F}$ $L_o = 1 \text{ mH}$
Interface type 5	USB (Ex ic)
Connection	X5: 1 ... 4
Voltage U_o	4.95 V
Current I_o	472 mA
Power P_o	1582 mW
Characteristic curve	trapezoid
Internal resistor	33.2 Ω
Lumped capacitances AND inductances	$C_o = 14 \mu\text{F}$ $L_o = 5 \mu\text{H}$
Lumped capacitances OR inductances	$C_o = 100 \mu\text{F}$ $L_o = 0.3 \text{ mH}$

Accessories

	VisuNet EX2 GMP*	
	EXTA3*-K1-*	Zone 2 / Division 2 keyboard without mouse
	EXTA3*-K3-*	Zone 2 keyboard with mechanical trackball mouse
	EXTA3*-K4-*	Zone 2 / Division 2 keyboard with capacitive touchpad mouse
	EXTA3*-K6-*	Zone 2 / Division 2 keyboard with joystick mouse
	EXTA3*-K8-*	Zone 2 / Division 2 keyboard with optical trackball mouse
	EXTA3*-K9-*	Zone 2 / Division 2 keyboard with resistive touchpad mouse

Pedestals

Model Number	Description
PEDESTAL1-150-1P-KP-G-T-304	Pedestal incl. EX2 mounting bracket, turnable approx. 350°, monitor 10° tilted, with pipe for keyboard
PEDESTAL1-150-1P-NP-G-T-304	Pedestal incl. EX2 mounting bracket, turnable approx. 350°, monitor 10° tilted
PEDESTAL1-150-1P-KP-G-T-S3-304	Pedestal incl. EX2 mounting bracket, turnable approx. 350°, monitor 10° tilted, with pipe for keyboard with receptacle for barcode reader mounted
PEDESTAL1-150-1P-NP-G-T-S3-304	Pedestal incl. EX2 mounting bracket, turnable approx. 350°, monitor 10° tilted, with receptacle for barcode reader mounted

Type Code

VisuNet GMP EX2 PC37*

Monitor Type	Screen Type	Protection	Board specification	Power supply	Housing frontplate version	Keyboard housing	Keyboard Mouse version	Keyboard Layout	Accessories	Options
Monitor Type, Display size										
PC3719	Panel-PC 19 inch									
PC3721	Panel-PC 21.5 inch									
PC3722	Panel-PC 22 inch									
Screen Type										
E	Antiglare glass front									
T	Touch screen resistive									
C	Antiglare safety glass, projected capacitive, 10-finger multi-touch									
Protection										
A1	ATEX II 3G Ex nA nR [ic] IIC T4 Gc, II 3D Ex tc [ic] IIIB T85°C Dc IP54									
Board Specification										
PI	Intel Atom E3826 1.46 GHz, 8GB RAM, 120GB SSD, Windows 10 IoT Enterprise 2016 LTSB (64-bit)									
Power supply										
DC	24 V DC									
Housing frontplate version										
SL2N	Slim-Line stainless steel housing									
Keyboard housing										
N	no keyboard & mouse housing									
R	Keyboard & mouse housing, stainless steel									
C	Keyboard & mouse housing, tiltable 90 ... 180 degrees, stainless steel									
Keyboard / Mouse version										
K0	No keyboard									
K3	Foil keyboard with mechanical trackball									
K4	Foil keyboard with touchpad									
K6	Foil keyboard with joystick									
Keyboard Layout										
L0	No keyboard									
DE	Keyboard Layout German									
US	Keyboard Layout US-international									
XX	More Keyboard layouts by request									
Special accessories										
S0	no special accessories									
Options										
N	Standard, no options									

Release date: 2021-11-09 Date of issue: 2021-11-09 Filename: t183624_eng.pdf