



# KVM Monitor

## VisuNet GMP KM221

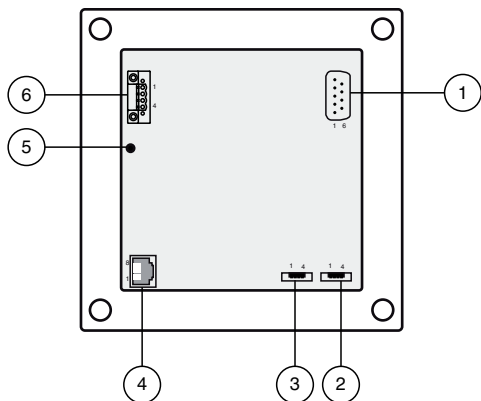
- KVM Monitor
- 21.5" (54.6 cm); 1920 x 1080 Full HD (16:9)
- Data transfer via KVM extender
- Adapted for distances up to 300 m



### Function

VisuNet GMP devices are operator workstations for use in GMP conditions and come with a manufacturer's declaration of conformity to this effect. Typical application locations are the pharmaceutical and food industries as well as the production of cosmetics, flavour and nutrition. The operator workstations are available as Direct Monitors, KVM Monitors, Remote Monitors and as Panel PCs. The KVM Monitors can be connected to a Host PC via an integrated KVM extender, which ensures data transmission over large distances. The connection of the KVM Monitors to the Host PC is potential-free. KVM Monitors support the cost-effective visualization of processes in greater distances from the Host PC.

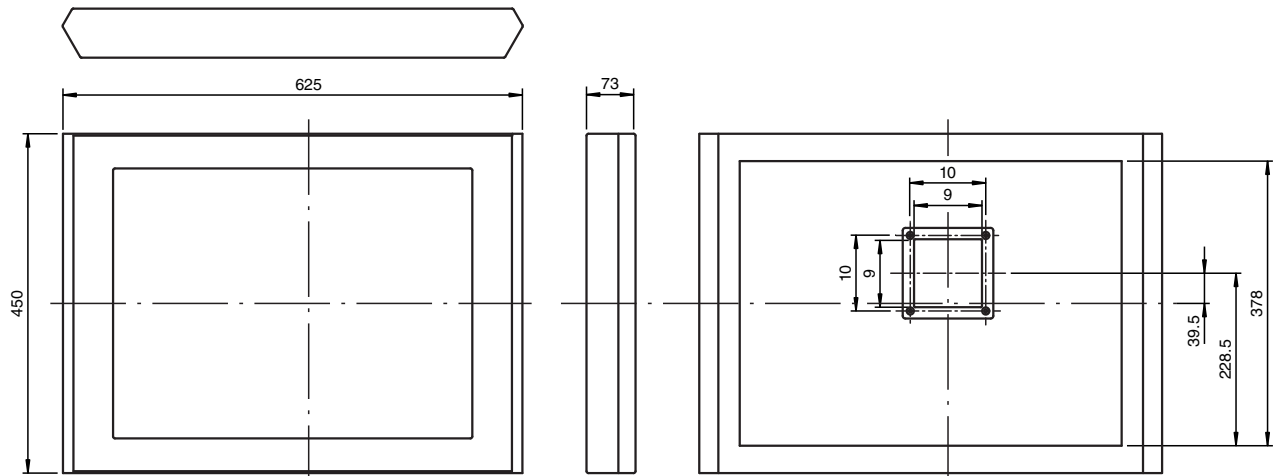
### Connection



- 1 Serial interface RS 232
- 2 USB interface (mouse)\*
- 3 USB interface (keyboard)\*
- 4 RJ45 interface (KVM transmission)
- 5 Ground connection (M4)
- 6 Phoenix DFK-MSTB 2,5/ 4-GF-5,08

\* Only for use with keyboard/mouse

## Dimensions



## Technical Data

### General specifications

|      |             |
|------|-------------|
| Type | KVM Monitor |
|------|-------------|

### Supply

|                     |       |                           |
|---------------------|-------|---------------------------|
| Rated voltage       | $U_r$ | 24 V DC                   |
| Input voltage range | $U$   | 20 ... 30 V <sub>DC</sub> |
| Power consumption   |       | 75 W                      |

### Indicators/operating means

|                 |   |
|-----------------|---|
| Display         |   |
| Type            | TFT, LCD  |
| Screen diagonal | 54.6 cm (21.5 inch)   |
| Resolution      | 1920 x 1080   |
| Color depth     | 16.7 Mio.   |
| Contrast        | 5000:1  |
| Brightness      | 300 cd/m <sup>2</sup>   |
| Life span       | 50.000 h @ 25 °C  |
| Input devices   | Analog resistive touchscreen (optional) ,<br>Keyboard with integrated mouse functionality: optical trackball/touchpad/joystick versions available |

### Interface

|                |   |
|----------------|---|
| Interface type | 2x USB (for keyboard/mouse connection)<br>1 x RS 232 (optional)<br>1x RJ45 (KVM transmission) |
|----------------|---|

### Ambient conditions

|                     |                            |
|---------------------|----------------------------|
| Ambient temperature | 0 ... 35 °C (32 ... 95 °F) |
|---------------------|----------------------------|

### Mechanical specifications

|                      |   |
|----------------------|---|
| Degree of protection | IP65  |
| Material             |   |
| Surface              | stainless steel 1.4301 / AISI 304   |
| Surface quality      | $R_a \leq 0.8 \mu\text{m}$  |
| Mounting type        | slim line housing<br>several mounting types (pedestal, wall bracket, wall arm - each turnable or fix) available |

Release date: 2020-09-21 Date of issue: 2020-09-21 Filename: t184892\_eng.pdf

Refer to "General Notes Relating to Pepperl+Fuchs Product Information".

Pepperl+Fuchs Group  
www.pepperl-fuchs.com

USA: +1 330 486 0002  
pa-info@us.pepperl-fuchs.com

Germany: +49 621 776 2222  
pa-info@de.pepperl-fuchs.com


Singapore: +65 6779 9091  
pa-info@sg.pepperl-fuchs.com

 PEPPERL+FUCHS

### Technical Data

|            |                         |
|------------|-------------------------|
| Mass       | 14.5 kg                 |
| Dimensions | 625 mm x 450 mm x 73 mm |

### Accessories

|   |                     |  |
|---|---------------------|--|
|  | <b>VisuNet GMP*</b> |  |
|---|---------------------|--|

Release date: 2020-09-21 Date of issue: 2020-09-21 Filename: t184892\_eng.pdf

Refer to "General Notes Relating to Pepperl+Fuchs Product Information".

Release date: 2020-09-21 Date of issue: 2020-09-21 Filename: t184892\_eng.pdf

Refer to "General Notes Relating to Pepperl+Fuchs Product Information".

Pepperl+Fuchs Group  
www.pepperl-fuchs.com

USA: +1 330 486 0002  
pa-info@us.pepperl-fuchs.com

Germany: +49 621 776 2222  
pa-info@de.pepperl-fuchs.com

Singapore: +65 6779 9091  
pa-info@sg.pepperl-fuchs.com

**Type code VisuNet GMP KM\***

| Monitor Type               | Screen Type  | Protection | Board specification | Power supply | Housing frontplate version | Keyboard housing | Keyboard Mouse version | Keyboard Layout | Accessories | Options |
|----------------------------|--|------------|---------------------|--------------|----------------------------|------------------|------------------------|-----------------|-------------|---------|
| Monitor Type, Display size |  |            |                     |              |                            |                  |                        |                 |             |         |
| KM21<br>9                  | KVM Monitor 19"  |            |                     |              |                            |                  |                        |                 |             |         |
| KM22<br>1                  | KVM Monitor 21.5"  |            |                     |              |                            |                  |                        |                 |             |         |
| KM22<br>2                  | KVM Monitor 22"  |            |                     |              |                            |                  |                        |                 |             |         |
| Screen Type                |  |            |                     |              |                            |                  |                        |                 |             |         |
| E                          | Antiglare glass front  |            |                     |              |                            |                  |                        |                 |             |         |
| T                          | Touch screen resistive   |            |                     |              |                            |                  |                        |                 |             |         |
| Protection                 |  |            |                     |              |                            |                  |                        |                 |             |         |
| GP                         | Industrial, non-Ex version                                       |            |                     |              |                            |                  |                        |                 |             |         |
| Board Specification        |  |            |                     |              |                            |                  |                        |                 |             |         |
| K1                         | Integrated KVM, 2xUSB, 1xRS232. Analoug Cat.x cable transmission |            |                     |              |                            |                  |                        |                 |             |         |
| Power supply               |  |            |                     |              |                            |                  |                        |                 |             |         |
| D<br>C                     | 24 V DC  |            |                     |              |                            |                  |                        |                 |             |         |
| Housing frontplate version |  |            |                     |              |                            |                  |                        |                 |             |         |
| SL2<br>N                   | Slim-Line stainless steel housing                                |            |                     |              |                            |                  |                        |                 |             |         |
| Keyboard housing           |  |            |                     |              |                            |                  |                        |                 |             |         |
| N                          | No keyboard & mouse housing                                      |            |                     |              |                            |                  |                        |                 |             |         |
| R                          | Keyboard antibacterial, pedestal mounting stainless steel        |            |                     |              |                            |                  |                        |                 |             |         |
| C                          | 90°-180° tiltable keyboard housing, stainless steel              |            |                     |              |                            |                  |                        |                 |             |         |
| Keyboard / Mouse version   |  |            |                     |              |                            |                  |                        |                 |             |         |
| K0                         | No keyboard  |            |                     |              |                            |                  |                        |                 |             |         |
| K4                         | Foil keyboard & Touchpad   |            |                     |              |                            |                  |                        |                 |             |         |
| K6                         | Foil keyboard & Joystick   |            |                     |              |                            |                  |                        |                 |             |         |
| K8                         | Foil keyboard & optical Trackball                                |            |                     |              |                            |                  |                        |                 |             |         |
| Keyboard Layout            |  |            |                     |              |                            |                  |                        |                 |             |         |
| L0                         | No keyboard  |            |                     |              |                            |                  |                        |                 |             |         |
| DE                         | Keyboard Layout German   |            |                     |              |                            |                  |                        |                 |             |         |
| US                         | Keyboard Layout US-international                                 |            |                     |              |                            |                  |                        |                 |             |         |
| FR                         | Keyboard Layout French   |            |                     |              |                            |                  |                        |                 |             |         |
| XX                         | More Keyboard layouts by request                                 |            |                     |              |                            |                  |                        |                 |             |         |
| Special accessories        |  |            |                     |              |                            |                  |                        |                 |             |         |
| S0                         | No special accessories   |            |                     |              |                            |                  |                        |                 |             |         |
| Options                    |  |            |                     |              |                            |                  |                        |                 |             |         |
| N                          | No options   |            |                     |              |                            |                  |                        |                 |             |         |

Release date: 2020-09-21 Date of issue: 2020-09-21 Filename: t184892\_eng.pdf

Refer to "General Notes Relating to Pepperl+Fuchs Product Information".

Pepperl+Fuchs Group  
www.pepperl-fuchs.com

USA: +1 330 486 0002  
pa-info@us.pepperl-fuchs.com

Germany: +49 621 776 2222  
pa-info@de.pepperl-fuchs.com

Singapore: +65 6779 9091  
pa-info@sg.pepperl-fuchs.com

