

# Absolute encoders

## ENA36IL-S\*\*\*-J1939



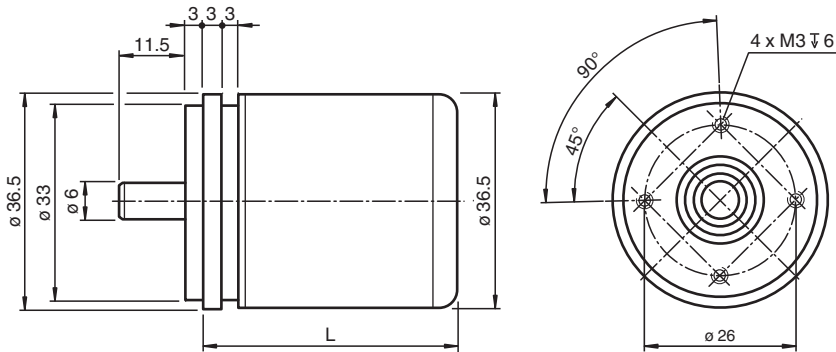
- Very small housing
- Up to 31 bit overall resolution
- CAN bus with SAE J1939 protocol
- Free of wear magnetic sampling
- High resolution and accuracy



### Function

This absolute rotary encoder provides a position value corresponding to the shaft position on its integrated J1939 interface. The rugged miniature encoders are based on magnetic sampling.

### Dimensions



Degree of Protection	L [mm]	
	Axial Output	Radial Output
IP54	43	
IP65	43	39

Release date: 2022-12-12 Date of issue: 2022-12-12 Filename: t185505\_eng.pdf

Refer to "General Notes Relating to Pepperl+Fuchs Product Information".

Pepperl+Fuchs Group  
www.pepperl-fuchs.com

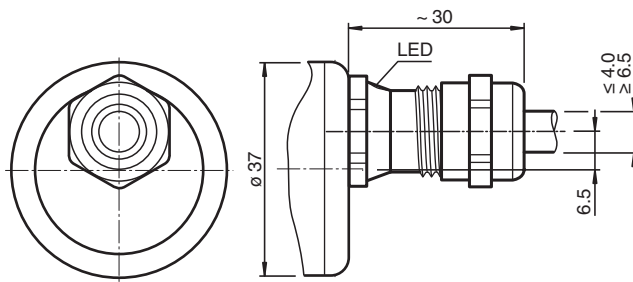
USA: +1 330 486 0001  
fa-info@us.pepperl-fuchs.com

Germany: +49 621 776 1111  
fa-info@de.pepperl-fuchs.com

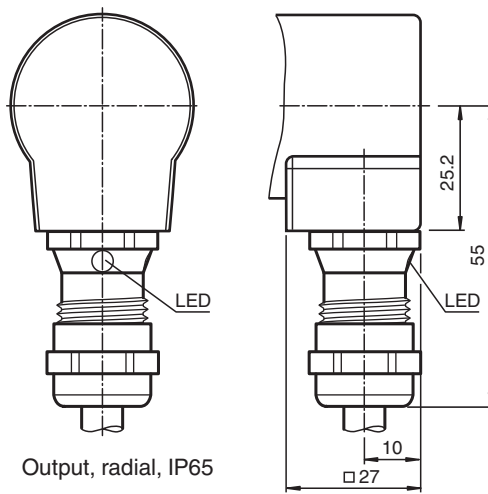
Singapore: +65 6779 9091  
fa-info@sg.pepperl-fuchs.com

**PF** PEPPERL+FUCHS

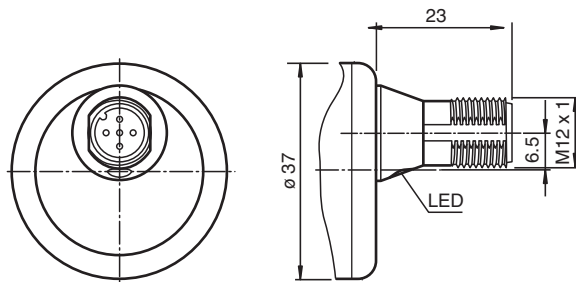
Dimensions



Output, axial, IP65



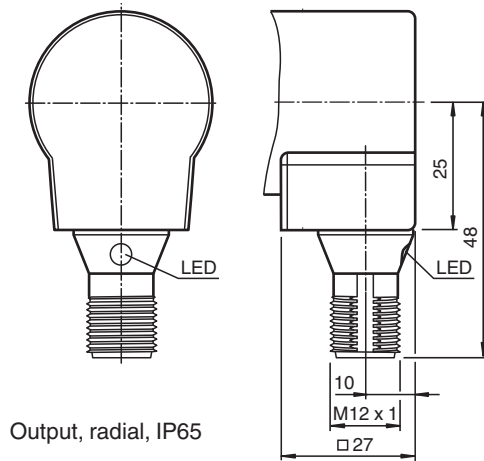
Output, radial, IP65



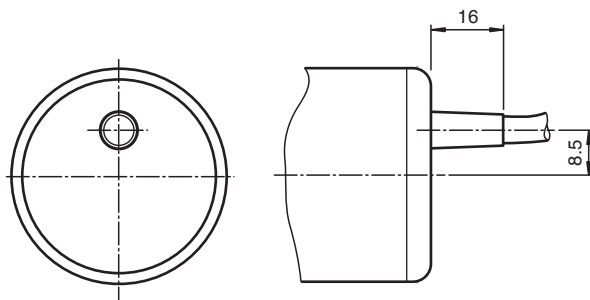
Output, axial, IP65

Release date: 2022-12-12 Date of issue: 2022-12-12 Filename: t185505\_eng.pdf

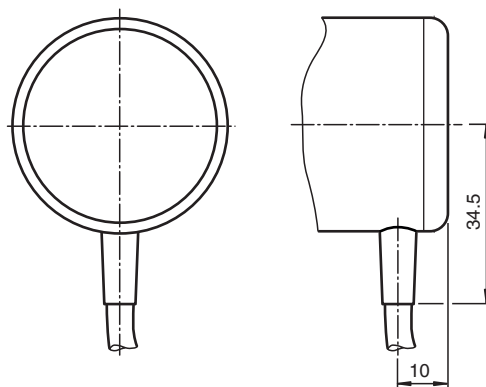
**Dimensions**



Output, radial, IP65



Output, axial, IP54



Output, radial, IP54

**Technical Data**

General specifications	
Detection type	magnetic sampling
Device type	Absolute encoders
Linearity error	$\leq \pm 0.1^\circ$
UL File Number	E223176 "For use in NFPA 79 Applications only" , if UL marking is marked on the product.
Functional safety related parameters	
MTTF <sub>d</sub>	480 a at 40 °C

Release date: 2022-12-12 Date of issue: 2022-12-12 Filename: t185505\_eng.pdf

## Technical Data

Mission Time (T <sub>M</sub> )	20 a	
L <sub>10</sub>	40 E-8 revolutions at 20/40 N axial/radial shaft load	
Diagnostic Coverage (DC)	0 %	
<b>Indicators/operating means</b>		
LED green	Operating mode	
LED red	wrong baud rate	
<b>Electrical specifications</b>		
Operating voltage	U <sub>B</sub>	9 ... 30 V DC (with galvanic isolation)
Power consumption	P <sub>0</sub>	≤ 1.2 W
Time delay before availability	t <sub>v</sub>	< 250 ms
Output code	binary code	
Code course (counting direction)	adjustable	
<b>Interface</b>		
Interface type	J1939	
<b>Resolution</b>		
Single turn	up to 16 Bit	
Multiturn	up to 15 Bit	
Overall resolution	up to 31 Bit	
Transfer rate	min. 20 kBit/s , max. 1 MBit/s	
Cycle time	≥ 1 ms	
Standard conformity	ISO 11898	
<b>Connection</b>		
Connector	M12 connector, 5 pin	
Cable	Ø6 mm, 4 x 2 x 0.14 mm <sup>2</sup>	
<b>Standard conformity</b>		
Degree of protection	DIN EN 60529, IP65 or IP54	
Climatic testing	DIN EN 60068-2-3, no moisture condensation	
Emitted interference	EN 61000-6-4:2007	
Noise immunity	EN 61000-6-2:2005	
Shock resistance	DIN EN 60068-2-27, 200 g, 6 ms	
Vibration resistance	DIN EN 60068-2-6, 20 g, 10 ... 1000 Hz	
<b>Approvals and certificates</b>		
UL approval	cULus Listed, General Purpose, Class 2 Power Source , if UL marking is marked on the product.	
<b>Ambient conditions</b>		
Operating temperature	cable, flexing: -5 ... 70 °C (23 ... 158 °F), cable, fixed: -30 ... 70 °C (-22 ... 158 °F) connector models: -40 ... 85 °C (-40 ... 185 °F)	
Storage temperature	-40 ... 85 °C (-40 ... 185 °F)	
Relative humidity	98 % , no moisture condensation	
<b>Mechanical specifications</b>		
<b>Material</b>		
Housing	nickel-plated steel	
Flange	Aluminum	
Shaft	Stainless steel	
Mass	approx. 150 g	
Rotational speed	max. 12000 min <sup>-1</sup>	
Moment of inertia	30 gcm <sup>2</sup>	
Starting torque	< 3 Ncm	
<b>Shaft load</b>		
Axial	20 N	
Radial	40 N	






Release date: 2022-12-12 Date of issue: 2022-12-12 Filename: t185505\_eng.pdf

Refer to "General Notes Relating to Pepperl+Fuchs Product Information".

Pepperl+Fuchs Group  
www.pepperl-fuchs.comUSA: +1 330 486 0001  
fa-info@us.pepperl-fuchs.comGermany: +49 621 776 1111  
fa-info@de.pepperl-fuchs.comSingapore: +65 6779 9091  
fa-info@sg.pepperl-fuchs.com

**PEPPERL+FUCHS**

**Accessories**

	<b>V19-G-ABG-PG9</b>	Female connector M12 straight A-coded 8-pin, for cable diameter 5 - 8 mm, shielded, field-attachable
	<b>9108, 6</b>	Measuring wheel
	<b>9109, 6</b>	Measuring wheel for shaft diameter 6 mm
	<b>9110, 6</b>	Measuring wheel for shaft diameter 6 mm
	<b>9113, 6</b>	Measuring wheel for shaft diameter 6 mm

Release date: 2022-12-12 Date of issue: 2022-12-12 Filename: t185505\_eng.pdf

Refer to "General Notes Relating to Pepperl+Fuchs Product Information".

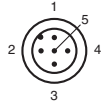
Pepperl+Fuchs Group  
www.pepperl-fuchs.com

USA: +1 330 486 0001  
fa-info@us.pepperl-fuchs.com

Germany: +49 621 776 1111  
fa-info@de.pepperl-fuchs.com

Singapore: +65 6779 9091  
fa-info@sg.pepperl-fuchs.com

**Connection**

Signal	Wire end	5-pin, M12 x 1 connector
CAN GND	green	1
+Vs	red	2
GND	yellow	3
CAN-High	white	4
CAN-Low	brown	5
Shielding	Shielding	Housing
Pinout		

**Interface**

**Example of the transmit commands**

Command	Identifier	Data	Comments
Read request Direction	18EA2000	01 EF 00 00 00 00 00 00	
Read request Node	18EA2000	08 EF 00 00 00 00 00 00	
Write Direction	00EF2000	01 01 00 00 00 FF FF FF (CCW increase position)	When you change direction it will give you a different positional value. You will then need to set your preset value.
Write PRESET	00EF2000	04 A8 61 00 00 FF FF FF (value 25.000)	The preset value should be received at positional value 18FFAA20.
Write Save	00EF2000	FA 73 61 76 65 FF FF FF	The settings saved in non-volatile memory

If you change the node number, you will need to cycle power (after you save your settings) for the node number to change. Once you cycle power, you will need to enter the new node number in your identifier. You can confirm everything is saved in non-volatile memory by cycling power.

**Receive:**

- 18FFAA20: Positional and speed data
- 18EA2000: Read response

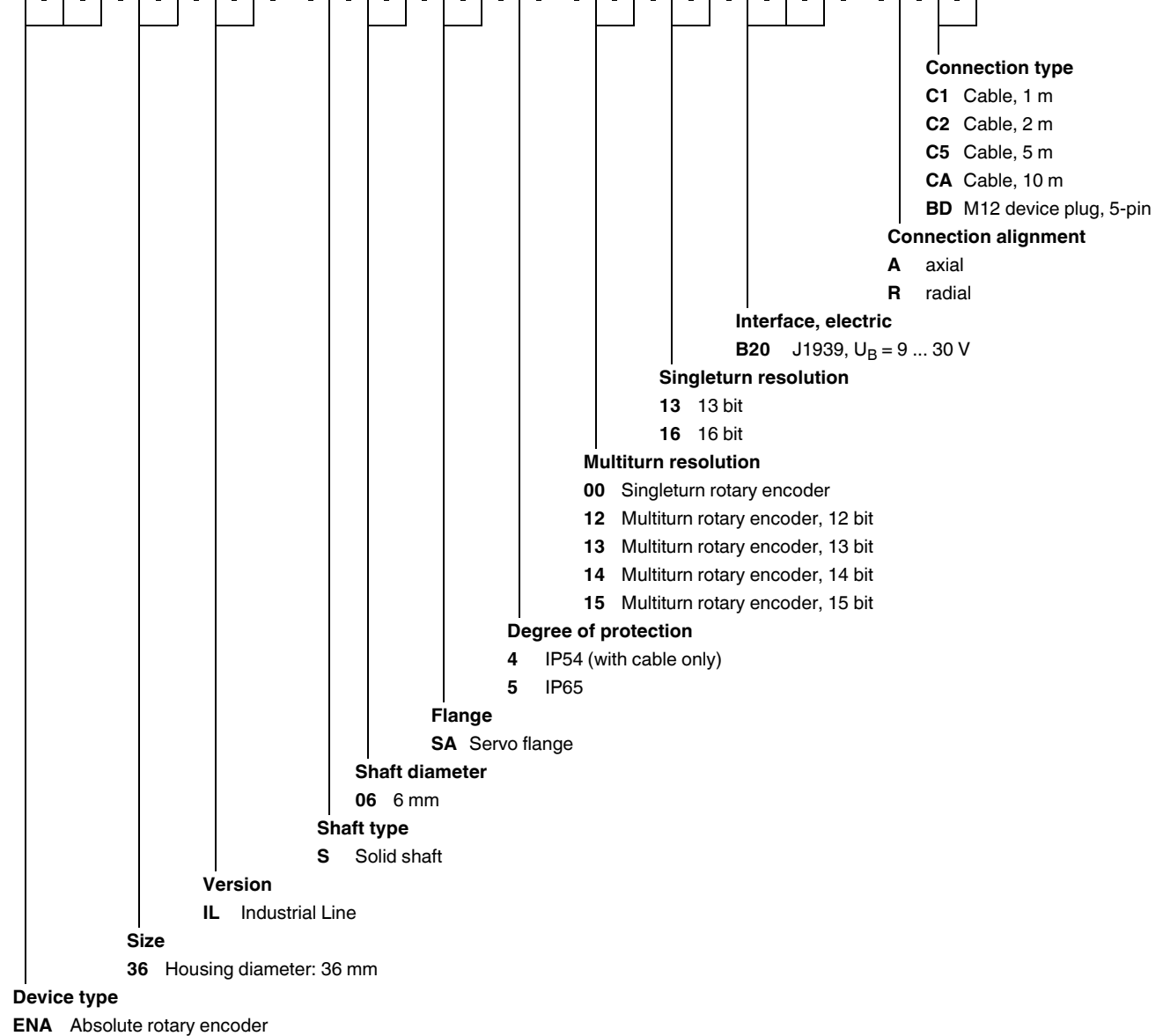
**Type Code**

Release date: 2022-12-12 Date of issue: 2022-12-12 Filename: t185505\_eng.pdf

Refer to "General Notes Relating to Pepperl+Fuchs Product Information".

**Model number**

**E N A 3 6 I L - S 0 6 S A - - - - - B 2 0 - - - -**



**Installation**

**Anti-interference measures**

The use of highly sophisticated microelectronics requires a consistently implemented anti-interference and wiring concept. This becomes all the more important the more compact the constructions are and the higher the demands are on the performance of modern machines.

The following installation instructions and proposals apply for "normal industrial environments". There is no ideal solution for all interfering environments.

When the following measures are applied, the encoder should be in perfect working order:

- Termination of the serial line with a 120 Ω resistor (between Receive/Transmit and Receive/Transmit) at the beginning and end of the serial line (e. g. the control and the last encoder).
- The wiring of the encoder should be laid at a large distance to energy lines which could cause interferences.
- Cable cross-section of the screen at least 4 mm<sup>2</sup>.
- Cable cross-section at least 0,14 mm<sup>2</sup>.
- The wiring of the screen and 0 V should be arranged radially, if and when possible.
- Do not kink or jam the cables.
- Adhere to the minimum bending radius as given in the data sheet and avoid tensile as well as shearing load.

**Operating instructions**

Release date: 2022-12-12 Date of issue: 2022-12-12 Filename: t185505\_eng.pdf

Refer to "General Notes Relating to Pepperl+Fuchs Product Information".

Every encoder manufactured by Pepperl+Fuchs leaves the factory in a perfect condition. In order to ensure this quality as well as a faultless operation, the following specifications have to be taken into consideration:

- Avoid any impact on the housing and in particular on the encoder shaft as well as the axial and radial overload of the encoder shaft.
- The accuracy and service life of the encoder is guaranteed only, if a suitable coupling is used.
- The operating voltage for the encoder and the follow-up device (e. g. control) has to be switched on and off simultaneously.
- Any wiring work has to be carried out with the system in a dead condition.
- The maximum operating voltages must not be exceeded. The devices have to be operated at extra-low safety voltage.

**Notes on connecting the electric screening**

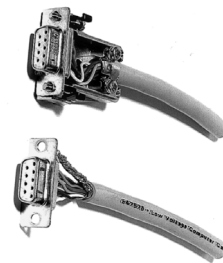
The immunity to interference of a plant depends on the correct screening. In this field installation faults occur frequently. Often the screen is applied to one side only, and is then soldered to the earthing terminal with a wire, which is a valid procedure in LF engineering. However, in case of EMC the rules of HF engineering apply.

One basic goal in HF engineering is to pass the HF energy to earth at an impedance as low as possible as otherwise energy would discharge into the cable. A low impedance is achieved by a large-surface connection to metal surfaces.

The following instructions have to be observed:

- Apply the screen on both sides to a "common earth" in a large surface, if there is no risk of equipotential currents.
- The screen has to be passed behind the insulation and has to be clamped on a large surface below the tension relief.
- In case of cable connections to screw-type terminals, the tension relief has to be connected to an earthed surface.
- If plugs are used, metallised plugs only should be fitted (such as sub D plugs with metallised housing). Please observe the direct connection of the tension relief to the housing.

Advantage:	metallised connector, shield
	clamped with the strain relief
Disadvantage:	soldering shield on



**Safety instructions**

Please observe the national safety and accident prevention regulations as well as the subsequent safety instructions in these operating instructions when working on encoders.

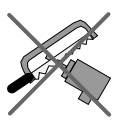
If failures cannot be remedied, the device has to be shut down and has to be secured against accidental operation. Repairs may be carried out only by the manufacturer. Entry into and modifications of the device are not permissible.

Tighten the clamping ring only, if a shaft has been fitted in the area of the clamping ring (hollow shaft encoders).

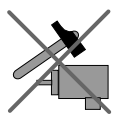
Tighten all screws and plug connectors prior to operating the encoder.



Do not stand on the encoder!



Do not remachine the drive shaft!



Avoid impact!



Do not remachine the housing!

Release date: 2022-12-12 Date of issue: 2022-12-12 Filename: t185505\_eng.pdf

Refer to "General Notes Relating to Pepperl+Fuchs Product Information".