



Fiber Optic Multi-Mode Breakout Cable

DATL-FO-MM-*

- Military-grade fiber optic multi-mode cable for easy connectivity of Pepperl+Fuchs thin client / PC units
- Available with duplex LC to LC or LC to SC connectors

Fiber Optic Multi-Mode Breakout Cable

Function

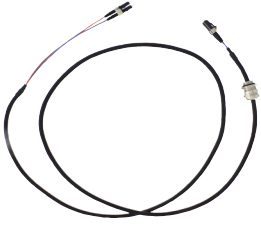

DATL-FO-MM-* cables allow plug-and-play fiber optic network connectivity to Pepperl+Fuchs thin client/PC units, even in hazardous locations. The military-grade cables ensure full IP66 protection of the connection opening. The cable ends consist of an Ex e rated M16 cable gland and a duplex LC to duplex LC/SC connector.

Technical Data

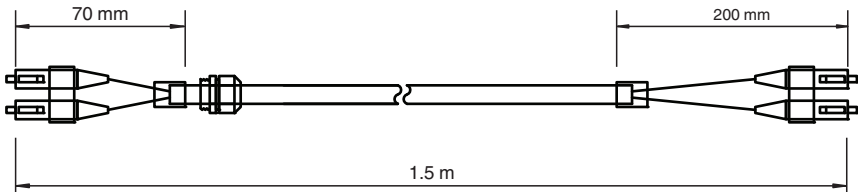
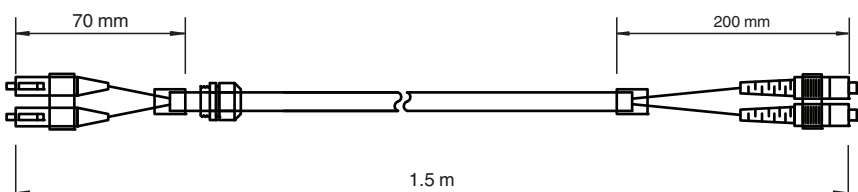
Mechanical specifications

Connection	duplex LC to duplex LC or duplex LC to duplex SC
Material	multi-mode fiber optic , OM2 , 50/125 µm
Cable length	1.5 m

Ordering Information

Part Number	Model Number	Description	Product Photo
548313	DATL-FO-MM-LC-LC-15	Military-grade fiber optic breakout cable for use with TCU/PCU1X00 <ul style="list-style-type: none"> • Duplex LC to duplex LC • 1 x M16 cable gland • Multi-mode, 50/125 μm, OM2 • Cable length: 1.5 m • includes LC-LC coupling 	
548311	DATL-FO-MM-LC-SC-15	Military-grade fiber optic breakout cable for use with TCU/PCU1X00 <ul style="list-style-type: none"> • Duplex LC to duplex SC • 1 x M16 cable gland • Multi-mode, 50/125 μm, OM2 • Cable length: 1.5 m • includes SC-SC coupling 	

Dimensions

DATL-FO-MM-LC-LC-15	
DATL-FO-MM-LC-SC-15	

Release date: 2020-07-21 Date of issue: 2020-07-21 Filename: t188805_eng.pdf

Refer to "General Notes Relating to Pepperl+Fuchs Product Information".

Pepperl+Fuchs Group
www.pepperl-fuchs.com

USA: +1 330 486 0002
pa-info@us.pepperl-fuchs.com

Germany: +49 621 776 2222
pa-info@de.pepperl-fuchs.com

Singapore: +65 6779 9091
pa-info@sg.pepperl-fuchs.com