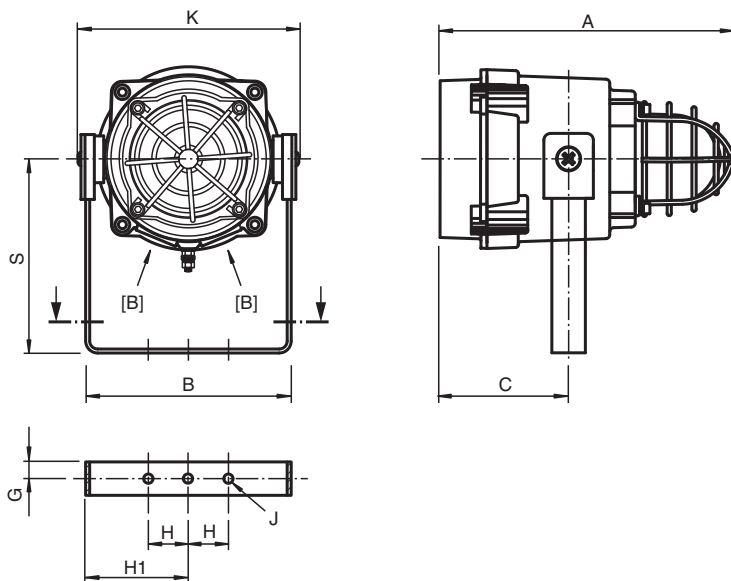


Beacon LED 160 cd Ex d IIC PF-BExBGL2-DP*

- Degree of protection IP66 / IP67
- Choice of five flash rates: 1 Hz, 1.5 Hz, 2 Hz, double and triple flash
- Duplicate cable terminations for daisy-chain installations
- Glass lens and stainless steel guard
- High and low power steady modes
- Marine grade and corrosion proof LM6 aluminium enclosure
- Ratchet adjustable stainless steel 'U' bracket
- UV stable PC field replaceable lens colour filter



Dimensions



Release date: 2020-06-02 Date of issue: 2020-06-02 Filename: t191123_eng.pdf

Refer to "General Notes Relating to Pepperl+Fuchs Product Information".

Pepperl+Fuchs Group
www.pepperl-fuchs.com

USA: +1 330 486 0002
pa-info@us.pepperl-fuchs.com

Germany: +49 621 776 2222
pa-info@de.pepperl-fuchs.com

Singapore: +65 6779 9091
pa-info@sg.pepperl-fuchs.com

PF PEPPERL+FUCHS

Dimension values see data table.

Image and drawing are generic for this device type and may deviate from the specific variant.

Legend	
A	Height
B	Width
C	Depth
G	Mounting holes distance
H	Mounting holes distance
H1	Mounting holes distance from edge of bracket
J	Mounting holes diameter
K	Maximum outer dimension with bracket
K1	Maximum outer dimension with horn
S	Depth of mounting bracket
[A] ... [B]	Cable entry faces

Technical Data

Electrical specifications

Operating voltage	240 V AC , 115 V AC , 24 V DC , further on request
Terminal capacity	0.5 ... 2.5 mm ²
Line monitoring	blocking diode included EOL resistors (AC) or diodes (DC) available on request
Function	flashing beacon
Lens color	red , amber , blue , green , further on request
Flash mode	flash rate: 1 Hz / 1.5 Hz / 2 Hz double strike / triple strike flash steady light high power / low power
Effective luminous intensity	87 cd @ steady light high power 160 cd @ 1 Hz flash
Illuminant, type	array of 4x high-intensity Cree® LED
Illuminant, life	60000 hours

Mechanical specifications

Degree of protection	IP66/IP67
Cable entry face B	
M20 quantity	2
M20 type	metric ISO pitch 1.5 mm
M20 info	Stopping Plug 1x brass nickel-plated
Material	
Enclosure	Aluminum LM6
Finish	chromated, powder coated RAL 3000 (red)
Mounting bracket	stainless steel 1.4301 / AISI 304
Mass	DC: 2.45 kg , AC: 2.75 kg
Dimensions	
External dimension (A)	246 mm
External dimension (B)	153.6 mm
External dimension (C)	100 mm
Mounting holes distance (G)	12.5 mm
Mounting holes distance (H)	30 mm
Mounting holes distance (H1)	76.8 mm
Mounting holes diameter (J)	7 mm
Depth mounting frame (S)	145 mm
Maximum external dimension (K)	165 mm
Grounding	external grounding bolt M5
Ambient conditions	
Ambient temperature	-50 ... 70 °C (-58 ... 158 °F)

Release date: 2020-06-02 Date of issue: 2020-06-02 Filename: t191123_eng.pdf

Refer to "General Notes Relating to Pepperl+Fuchs Product Information".

Pepperl+Fuchs Group
www.pepperl-fuchs.com

USA: +1 330 486 0002
pa-info@us.pepperl-fuchs.com

Germany: +49 621 776 2222
pa-info@de.pepperl-fuchs.com

Singapore: +65 6779 9091
pa-info@sg.pepperl-fuchs.com

 PEPPERL+FUCHS

Technical Data

Data for application in connection with hazardous areas	
EU-type examination certificate	KEMA 00 ATEX 2006 X
Marking	Ⓢ II 2 GD Ex d IIC T* Gb Ex tb IIC T** °C Db T6 @ Ta +60 °C , T5 @ Ta +70 °C T60 °C @ Ta +40 °C , T75 °C @ Ta +55 °C , T90 °C @ Ta +70 °C
International approvals	
IECEx approval	IECEx KEM 10.0002X
EAC approval	RU C-GB.AA71.B.00109
Conformity	
Degree of protection	EN 60529
General information	
Scope of delivery	device , 1 Stopping Plug , Instruction leaflet
Supplementary information	EC-Type Examination Certificate, Statement of Conformity, Declaration of Conformity, Attestation of Conformity and instructions have to be observed where applicable. For information see www.pepperl-fuchs.com .