

# Alarm Sounder 110 dB Ex d IIC

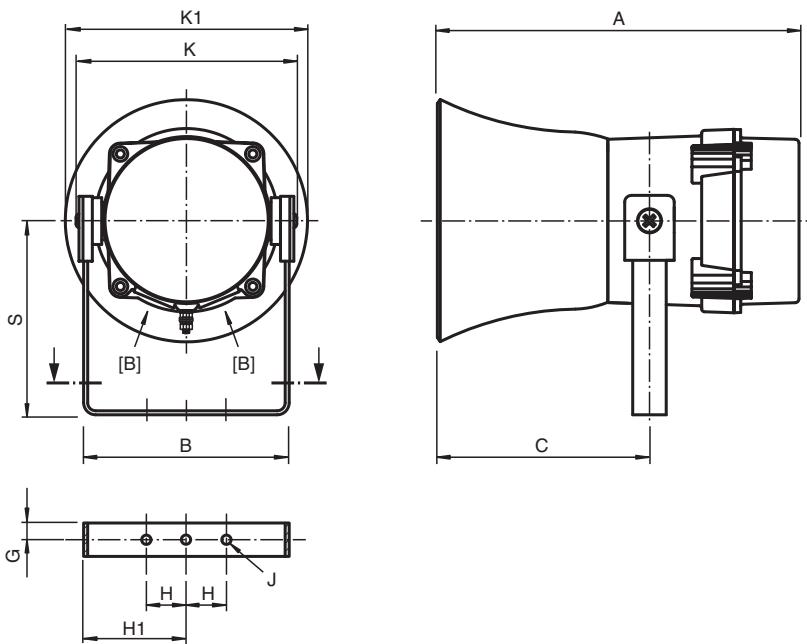
## PF-BExS110-DF\*



- Automatic synchronisation with systems operation
- Reverse polarity diode fitted
- 'Stage Programmable' version available with 32 sounds and 3 remotely selectable stages
- Degree of protection IP66 / IP67
- Marine grade and corrosion proof LM6 aluminium enclosure
- Ratchet adjustable stainless steel 'U' bracket



### Dimensions



Release date: 2020-06-02 Date of issue: 2020-06-02 Filename: t191124\_eng.pdf

Refer to "General Notes Relating to Pepperl+Fuchs Product Information".

Pepperl+Fuchs Group  
www.pepperl-fuchs.com

USA: +1 330 486 0002  
pa-info@us.pepperl-fuchs.com

Germany: +49 621 776 2222  
pa-info@de.pepperl-fuchs.com

Singapore: +65 6779 9091  
pa-info@sg.pepperl-fuchs.com

 PEPPERL+FUCHS

Dimension values see data table.

Image and drawing are generic for this device type and may deviate from the specific variant.

Legend	
A	Height
B	Width
C	Depth
G	Mounting holes distance
H	Mounting holes distance
H1	Mounting holes distance from edge of bracket
J	Mounting holes diameter
K	Maximum outer dimension with bracket
K1	Maximum outer dimension with horn
S	Depth of mounting bracket
[A] ... [B]	Cable entry faces

## Technical Data

### Electrical specifications

Operating voltage	240 V AC , 115 V AC , 24 V DC , further on request
Terminal capacity	0.5 ... 2.5 mm <sup>2</sup>
Line monitoring	blocking diode included EOL resistors (AC) or diodes (DC) available on request
Function	alarm sounder
Sound pressure level, maximum	117 dB @ 1 m , 108 dB @ 3 m
Sound pressure level, nominal	110 dB @ 1 m +/- 3 dB - sound 2 , 101 dB @ 3 m
Sound pressure level, control	72 ... 110 dB , sound 2
Effective sound range	100 m @ 1 kHz
Number of sounds	32 , UKOOA / PFEER compliant
Number of stages	3
Stage switching	negative or positive

### Mechanical specifications

Degree of protection	IP66/IP67
Cable entry face B	
M20 quantity	2
M20 type	metric ISO pitch 1.5 mm
M20 info	Stopping Plug 1x brass nickel-plated
Material	
Enclosure	Aluminum LM6
Horn	fiber reinforced ABS, UL94-V0 and 5VA
Finish	chromated, powder coated RAL 3000 (red)
Mounting bracket	stainless steel 1.4301 / AISI 304
Mass	DC: 3 kg , AC: 3.2 kg
Dimensions	
External dimension (A)	262.6 mm
External dimension (B)	153.6 mm
External dimension (C)	100 mm
Mounting holes distance (G)	12.5 mm
Mounting holes distance (H)	30 mm
Mounting holes distance (H1)	76.8 mm
Mounting holes diameter (J)	7 mm
Depth mounting frame (S)	145 mm
Maximum external dimension (K)	165 mm
Maximum external dimension (K1)	181 mm
Grounding	external grounding bolt M5

Release date: 2020-06-02 Date of issue: 2020-06-02 Filename: t191124\_eng.pdf

Refer to "General Notes Relating to Pepperl+Fuchs Product Information".

Pepperl+Fuchs Group  
www.pepperl-fuchs.com

USA: +1 330 486 0002  
pa-info@us.pepperl-fuchs.com

Germany: +49 621 776 2222  
pa-info@de.pepperl-fuchs.com

Singapore: +65 6779 9091  
pa-info@sg.pepperl-fuchs.com

 PEPPERL+FUCHS

## Technical Data

Ambient conditions	
Ambient temperature	-50 ... 70 °C (-58 ... 158 °F)
Data for application in connection with hazardous areas	
EU-type examination certificate	KEMA 99 ATEX 6312 X
Marking	Ⓢ II 2 GD Ex d IIB T*, T4 @ Ta +70 °C Ex d IIC T*, T4 @ Ta +55 °C Ex tb IIIC T** °C Db T100 °C @ Ta +55 °C, T115 °C @ Ta +70 °C
International approvals	
IECEX approval	IECEX KEM 10.0003X
INMETRO approval	10-IEEx-0009
EAC approval	RU C-GB.AA71.B.00109
Conformity	
Degree of protection	EN 60529
General information	
Scope of delivery	device , 1 Stopping Plug , Instruction leaflet
Supplementary information	EC-Type Examination Certificate, Statement of Conformity, Declaration of Conformity, Attestation of Conformity and instructions have to be observed where applicable. For information see <a href="http://www.pepperl-fuchs.com">www.pepperl-fuchs.com</a> .