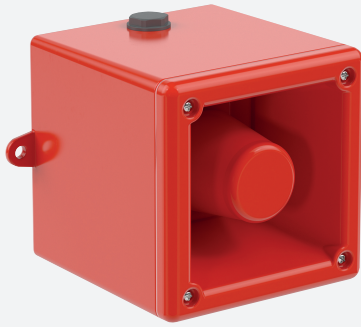


Alarm Sounder 105 dB Ex ia IIC

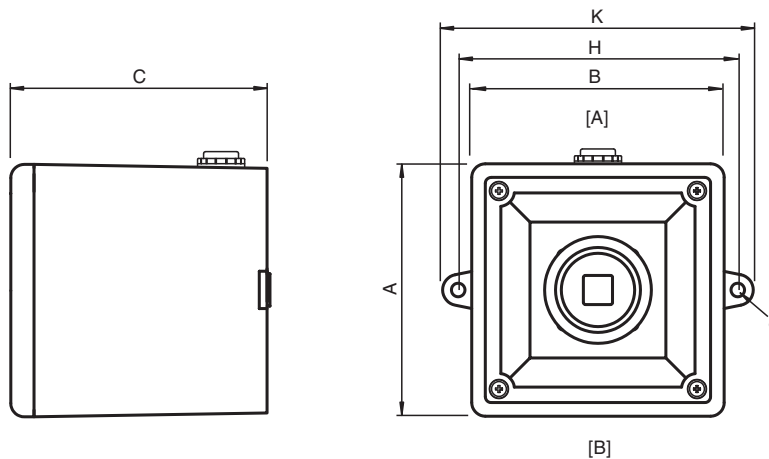
PF-IS-A105N*



- Available with custom sound and frequency configurations
- Duplicate cable terminations for daisy-chain installations
- Input overload and reverse current protection
- FM approval



Dimensions



Dimension values see data table.
Image and drawing are generic for this device type and may deviate from the specific variant.

Legend	
A	Height
B	Width
C	Depth
G	Mounting holes distance
H	Mounting holes distance
H1	Mounting holes distance from edge of bracket
J	Mounting holes diameter
K	Maximum outer dimension with bracket
K1	Maximum outer dimension with horn
S	Depth of mounting bracket
[A] ... [B]	Cable entry faces

Release date: 2020-06-02 Date of issue: 2020-06-02 Filename: t191126_eng.pdf

Refer to "General Notes Relating to Pepperl+Fuchs Product Information".

Pepperl+Fuchs Group
www.pepperl-fuchs.com

USA: +1 330 486 0002
pa-info@us.pepperl-fuchs.com

Germany: +49 621 776 2222
pa-info@de.pepperl-fuchs.com

Singapore: +65 6779 9091
pa-info@sg.pepperl-fuchs.com

PF PEPPERL+FUCHS

Technical Data

Electrical specifications	
Operating voltage	16 ... 28 V DC , via zener barrier or galvanic isolator
Operating current	25 mA @ 24 V via 28 V 300 Ω zener barrier
Terminal capacity	0.5 ... 2.5 mm ²
Function	alarm sounder
Sound pressure level, nominal	105 dB @ 1 m +/- 3 dB - sound 2 , 96 dB @ 3 m
Sound pressure level, control	96 ... 105 dB , sound 2
Effective sound range	60 m @ 1 kHz
Number of sounds	32 , UKOOA / PFEER compliant
Number of stages	3
Mechanical specifications	
Degree of protection	IP66
Cable entry face A	
M20 quantity	1
M20 type	thru-holes
M20 info	Stopping Plug 1x plastic
Cable entry face B	
M20 quantity	1
M20 type	thru-holes
Material	
Enclosure	fiber reinforced ABS, UL94-V0 and 5VA
Finish	RAL 3000 (red)
Mounting bracket	stainless steel 1.4301 / AISI 304
Mass	0.75 kg
Dimensions	
External dimension (A)	130 mm
External dimension (B)	130 mm
External dimension (C)	133.5 mm
Mounting holes distance (H)	144 mm
Mounting holes diameter (J)	7 mm
Maximum external dimension (K)	160 mm
Ambient conditions	
Ambient temperature	-40 ... 60 °C (-40 ... 140 °F)
Storage temperature	-40 ... 70 °C (-40 ... 158 °F)
Data for application in connection with hazardous areas	
EU-type examination certificate	SIRA 04 ATEX 2301X
Marking	⊕ II 1 G Ex ia IIC T* Ga , T4 @ Ta +60 °C
International approvals	
FM approval	
Approved for	Class I, Division 1, Groups A, B, C, D, T4 Class I, Zone 0, AEx ia IIC T4
IECEx approval	IECEx SIR 04.0038X
EAC approval	RU C-GB.MH04.B.00048
Conformity	
Degree of protection	EN 60529
General information	
Scope of delivery	device , Instruction leaflet
Supplementary information	EC-Type Examination Certificate, Statement of Conformity, Declaration of Conformity, Attestation of Conformity and instructions have to be observed where applicable. For information see www.pepperl-fuchs.com .

Release date: 2020-06-02 Date of issue: 2020-06-02 Filename: t191126_eng.pdf