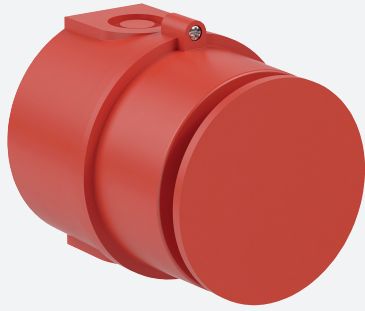


Alarm Sounder 100 dB Ex ia IIC

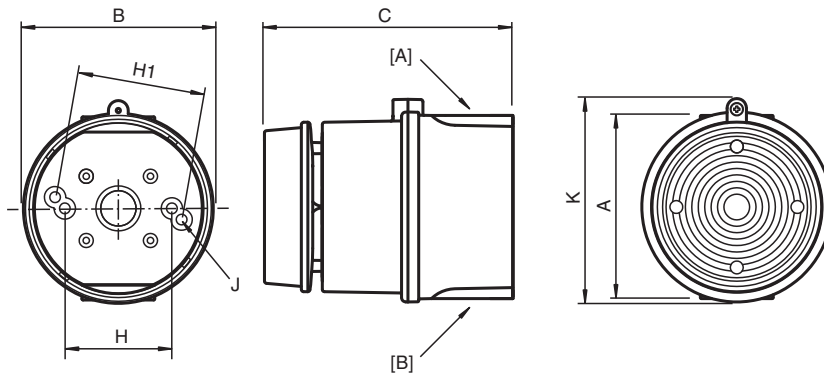
PF-IS-mA1*



- Available with custom sound configurations
- Input overload and reverse current protection
- Automatic synchronisation with systems operation
- FM approval



Dimensions



Dimension values see data table.

Image and drawing are generic for this device type and may deviate from the specific variant.

Legend	
A	Height
B	Width
C	Depth
G	Mounting holes distance
H	Mounting holes distance
H1	Mounting holes distance from edge of bracket
J	Mounting holes diameter
K	Maximum outer dimension with bracket
K1	Maximum outer dimension with horn
S	Depth of mounting bracket
[A] ... [B]	Cable entry faces

Release date: 2020-06-02 Date of issue: 2020-06-02 Filename: t191128_eng.pdf

Refer to "General Notes Relating to Pepperl+Fuchs Product Information".

Pepperl+Fuchs Group
www.pepperl-fuchs.com

USA: +1 330 486 0002
pa-info@us.pepperl-fuchs.com

Germany: +49 621 776 2222
pa-info@de.pepperl-fuchs.com

Singapore: +65 6779 9091
pa-info@sg.pepperl-fuchs.com

PF PEPPERL+FUCHS

Technical Data

Electrical specifications

Operating voltage	16 ... 28 V DC , via zener barrier or galvanic isolator
Operating current	25 mA @ 24 V via 28 V 300 Ω zener barrier
Terminal capacity	0.5 ... 2.5 mm ²
Function	alarm sounder
Sound pressure level, nominal	100 dB @ 1 m +/- 3 dB - sound 2 , 91 dB @ 3 m
Sound pressure level, control	90 ... 100 dB , sound 2
Effective sound range	40 m @ 1 kHz
Number of sounds	32 , UKOOA / PFEER compliant
Number of stages	3

Mechanical specifications

Degree of protection	IP65
Cable entry face A	
M20 quantity	1
M20 type	thru-holes
M20 info	Stopping Plug 1x plastic
Cable entry face B	
M20 quantity	1
M20 type	thru-holes
Material	
Enclosure	fiber reinforced ABS, UL94-V0 and 5VA
Finish	RAL 3000 (red)
Mounting bracket	stainless steel 1.4301 / AISI 304
Mass	0.75 kg
Dimensions	
External dimension (A)	85.5 mm
External dimension (B)	88.7 mm
External dimension (C)	99 mm
Mounting holes distance (H)	50 mm
Mounting holes distance (H1)	60 mm
Mounting holes diameter (J)	5 mm
Maximum external dimension (K)	95 mm

Ambient conditions

Ambient temperature	-40 ... 60 °C (-40 ... 140 °F)
Storage temperature	-40 ... 70 °C (-40 ... 158 °F)

Data for application in connection with hazardous areas

EU-type examination certificate	SIRA 05 ATEX 2084X
Marking	⊕ II 1 G Ex ia IIC T* Ga , T4 @ Ta +60 °C

International approvals

FM approval	
Approved for	Class I, Division 1, Groups A, B, C, D, T4 Class I, Zone 0, AEx ia IIC T4
IECEx approval	IECEx SIR 06.0045X
EAC approval	RU C-GB.MH04.B.00048

Conformity

Degree of protection	EN 60529
----------------------	----------

General information

Scope of delivery	device , Instruction leaflet
Supplementary information	EC-Type Examination Certificate, Statement of Conformity, Declaration of Conformity, Attestation of Conformity and instructions have to be observed where applicable. For information see www.pepperl-fuchs.com .