



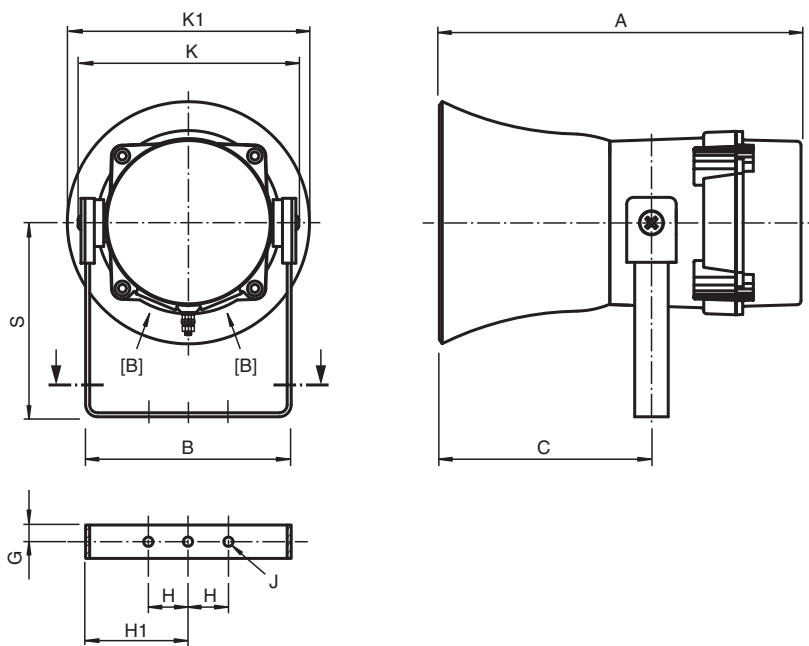
Alarm Sounder 113 dB Ex nA

PF-E2xS1-F*

- 'Stage Programmable' version available with 45 sounds and 3 remotely selectable stages
- Automatic synchronisation with systems operation
- Available with custom sound and frequency configurations
- Duplicate cable terminations for daisy-chain installations
- Ratchet adjustable stainless steel 'U' bracket



Dimensions



Release date: 2020-06-02 Date of issue: 2020-06-02 Filename: t191167_eng.pdf

Refer to "General Notes Relating to Pepperl+Fuchs Product Information".

Pepperl+Fuchs Group
www.pepperl-fuchs.com

USA: +1 330 486 0002
pa-info@us.pepperl-fuchs.com

Germany: +49 621 776 2222
pa-info@de.pepperl-fuchs.com

Singapore: +65 6779 9091
pa-info@sg.pepperl-fuchs.com

PF PEPPERL+FUCHS

Dimension values see data table.

Image and drawing are generic for this device type and may deviate from the specific variant.

Legend	
A	Height
B	Width
C	Depth
G	Mounting holes distance
H	Mounting holes distance
H1	Mounting holes distance from edge of bracket
J	Mounting holes diameter
K	Maximum outer dimension with bracket
K1	Maximum outer dimension with horn
S	Depth of mounting bracket
[A] ... [B]	Cable entry faces

Technical Data

Electrical specifications

Operating voltage	240 V AC , 115 V AC , 24 V DC , further on request
Terminal capacity	0.5 ... 2.5 mm ²
Line monitoring	blocking diode included
Function	alarm sounder
Sound pressure level, maximum	116 dB @ 1 m , 107 dB @ 3 m
Sound pressure level, nominal	113 dB @ 1 m +/- 3 dB - sound 2 , 104 dB @ 3 m
Sound pressure level, control	105 ... 113 dB , sound 2
Effective sound range	100 m @ 1 kHz
Number of sounds	45 , UKOOA / PFEER compliant
Number of stages	3

Mechanical specifications

Degree of protection	IP66 acc. to EN 60529 IP64 acc. to EN 60079-0 type rating per UL50E/NEMA2 50: 4/4X/13
Cable entry face B	
M20 quantity	2
M20 type	metric ISO pitch 1.5 mm
M20 info	Stopping Plug 1x plastic
Material	
Enclosure	PPS and fiber reinforced ABS, UL94-V0 and 5VA
Horn	fiber reinforced ABS, UL94-V0 and 5VA
Finish	inherent color black
Mounting bracket	stainless steel 1.4301 / AISI 304
Mass	DC: 2.5 kg , AC: 3 kg
Dimensions	
External dimension (A)	273.1 mm
External dimension (B)	142 mm
External dimension (C)	123 mm
Mounting holes distance (G)	12.5 mm
Mounting holes distance (H)	30 mm
Mounting holes distance (H1)	76.8 mm
Mounting holes diameter (J)	7 mm
Depth mounting frame (S)	160 mm
Maximum external dimension (K)	166 mm
Maximum external dimension (K1)	181 mm
Grounding	external grounding bolt M5

Release date: 2020-06-02 Date of issue: 2020-06-02 Filename: t191167_eng.pdf

Refer to "General Notes Relating to Pepperl+Fuchs Product Information".

Pepperl+Fuchs Group
www.pepperl-fuchs.com

USA: +1 330 486 0002
pa-info@us.pepperl-fuchs.com

Germany: +49 621 776 2222
pa-info@de.pepperl-fuchs.com

Singapore: +65 6779 9091
pa-info@sg.pepperl-fuchs.com

 PEPPERL+FUCHS

Technical Data

Ambient conditions

Ambient temperature	-20 ... 55 °C (-4 ... 131 °F)
Storage temperature	-40 ... 70 °C (-40 ... 158 °F)

Data for application in connection with hazardous areas

EU-type examination certificate	DEMKO 06 ATEX 0421554X
Marking	Ⓜ II 3 GD Ex nA IIC T* Gc , T4 @ Ta +55 °C Ex tc IIIC T** Dc , T85 °C @ Ta +55 °C

International approvals

UL approval	
cULus	E230764
IECEX approval	IECEX ULD 14.0012X

Conformity

Degree of protection	EN 60529
----------------------	----------

General information

Scope of delivery	device , 1 Stopping Plug , Instruction leaflet
Supplementary information	EC-Type Examination Certificate, Statement of Conformity, Declaration of Conformity, Attestation of Conformity and instructions have to be observed where applicable. For information see www.pepperl-fuchs.com .