



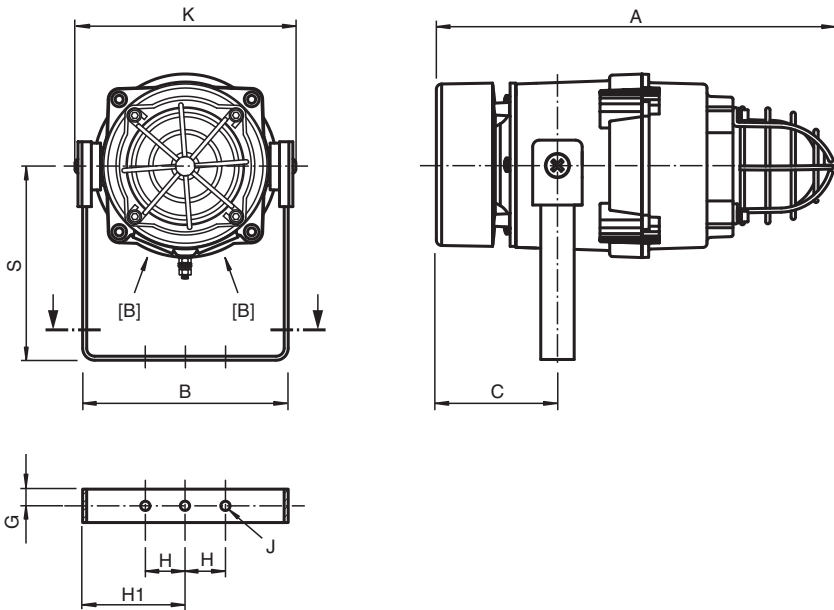
Alarm Sounder 110 dB with Beacon LED 160 cd Ex d IIB

PF-BExCS110-L2-DPR*

- 'Stage Programmable' version available with 32 sounds and 3 remotely selectable stages
- Automatic synchronisation with systems operation
- Reverse polarity diode fitted
- Degree of protection IP66 / IP67
- Marine grade and corrosion proof LM6 aluminium enclosure
- Ratchet adjustable stainless steel 'U' bracket
- Beacons can be set to 'flip-flop' alternating mode with other units on multi-beacon systems
- Omni-directional sound output
- UV stable PC field replaceable lens colour filter



Dimensions



Release date: 2020-06-02 Date of issue: 2020-06-02 Filename: t191170_eng.pdf

Refer to "General Notes Relating to Pepperl+Fuchs Product Information".

Pepperl+Fuchs Group
www.pepperl-fuchs.com

USA: +1 330 486 0002
pa-info@us.pepperl-fuchs.com

Germany: +49 621 776 2222
pa-info@de.pepperl-fuchs.com

Singapore: +65 6779 9091
pa-info@sg.pepperl-fuchs.com

PF PEPPERL+FUCHS

Dimension values see data table.

Image and drawing are generic for this device type and may deviate from the specific variant.

Legend	
A	Height
B	Width
C	Depth
G	Mounting holes distance
H	Mounting holes distance
H1	Mounting holes distance from edge of bracket
J	Mounting holes diameter
K	Maximum outer dimension with bracket
K1	Maximum outer dimension with horn
S	Depth of mounting bracket
[A] ... [B]	Cable entry faces

Technical Data

Electrical specifications

Operating voltage	240 V AC , 115 V AC , 24 V DC , further on request
Terminal capacity	0.5 ... 2.5 mm ²
Line monitoring	blocking diode included EOL resistors (AC) or diodes (DC) available on request
Function	alarm sounder
Sound pressure level, maximum	115 dB @ 1 m , 106 dB @ 3 m
Sound pressure level, nominal	110 dB @ 1 m +/- 3 dB - sound 2 , 101 dB @ 3 m
Sound pressure level, control	72 ... 110 dB , sound 2
Effective sound range	100 m @ 1 kHz
Number of sounds	32 , UKOOA / PFEER compliant
Number of stages	3
Stage switching	negative or positive
Function 2	flashing beacon
Lens color	red , yellow , blue , green , further on request
Flash mode	flash rate: 1 Hz / 1.5 Hz / 2 Hz double strike / triple strike flash steady light high power / low power
Effective luminous intensity	87 cd @ steady light high power 160 cd @ 1 Hz flash
Illuminant, type	array of 4x high-intensity Cree® LED
Illuminant, life	60000 hours

Mechanical specifications

Degree of protection	IP66/IP67
Cable entry face B	
M20 quantity	2
M20 type	metric ISO pitch 1.5 mm
M20 info	Stopping Plug 1x brass nickel-plated
Material	
Enclosure	Aluminum LM6
Horn	fiber reinforced ABS, UL94-V0 and 5VA
Finish	chromated, powder coated RAL 3000 (red)
Mounting bracket	stainless steel 1.4301 / AISI 304
Mass	DC: 4.8 kg , AC: 5 kg
Dimensions	
External dimension (A)	296.7 mm
External dimension (B)	153.6 mm
External dimension (C)	90.5 mm

Release date: 2020-06-02 Date of issue: 2020-06-02 Filename: t191170_eng.pdf

Refer to "General Notes Relating to Pepperl+Fuchs Product Information".

Pepperl+Fuchs Group
www.pepperl-fuchs.com

USA: +1 330 486 0002
pa-info@us.pepperl-fuchs.com

Germany: +49 621 776 2222
pa-info@de.pepperl-fuchs.com

Singapore: +65 6779 9091
pa-info@sg.pepperl-fuchs.com

 PEPPERL+FUCHS

Technical Data

Mounting holes distance (G)	12.5 mm
Mounting holes distance (H)	30 mm
Mounting holes distance (H1)	76.8 mm
Mounting holes diameter (J)	7 mm
Depth mounting frame (S)	145 mm
Maximum external dimension (K)	165 mm
Grounding	external grounding bolt M5
Ambient conditions	
Ambient temperature	-50 ... 70 °C (-58 ... 158 °F)
Data for application in connection with hazardous areas	
EU-type examination certificate	KEMA 01 ATEX 2223 X
Marking	Ⓜ II 2 GD Ex d IIB T* Gb Ex tb IIIC T** °C Db T5 @ Ta +50 °C , T4 @ Ta +70 °C T70 °C @ Ta +40 °C , T85 °C @ Ta +55 °C , T100 °C @ Ta +70 °C
International approvals	
IECEx approval	IECEx KEM 10.0025X
EAC approval	RU C-GB.AA71.B.00109
Conformity	
Degree of protection	EN 60529
General information	
Scope of delivery	device , 1 Stopping Plug , Instruction leaflet
Supplementary information	EC-Type Examination Certificate, Statement of Conformity, Declaration of Conformity, Attestation of Conformity and instructions have to be observed where applicable. For information see www.pepperl-fuchs.com .