



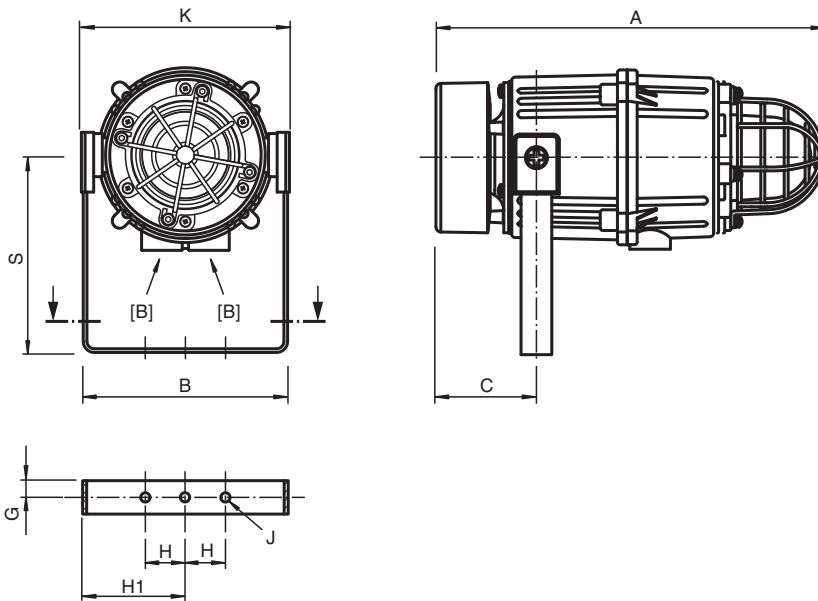
Alarm Sounder 110 dB with Beacon LED 160 cd Ex nA

PF-E2xC1LD2*

- Automatic synchronisation with systems operation
- Ratchet adjustable stainless steel 'U' bracket
- Choice of five flash rates: 1 Hz, 1.5 Hz, 2 Hz, double and triple flash
- Corrosion proof PPS enclosure
- Duplicate cable terminations for daisy-chain installations
- Glass lens and stainless steel guard
- High and low power steady modes
- Degree of protection IP66 / IP67, NEMA Type 4/4X
- UV stable PC field replaceable lens colour filter
- Omni-directional sound output



Dimensions



Release date: 2020-06-02 Date of issue: 2020-06-02 Filename: t191171_eng.pdf

Refer to "General Notes Relating to Pepperl+Fuchs Product Information".

Pepperl+Fuchs Group
www.pepperl-fuchs.com

USA: +1 330 486 0002
pa-info@us.pepperl-fuchs.com

Germany: +49 621 776 2222
pa-info@de.pepperl-fuchs.com

Singapore: +65 6779 9091
pa-info@sg.pepperl-fuchs.com

PF PEPPERL+FUCHS

Dimension values see data table.

Image and drawing are generic for this device type and may deviate from the specific variant.

Legend	
A	Height
B	Width
C	Depth
G	Mounting holes distance
H	Mounting holes distance
H1	Mounting holes distance from edge of bracket
J	Mounting holes diameter
K	Maximum outer dimension with bracket
K1	Maximum outer dimension with horn
S	Depth of mounting bracket
[A] ... [B]	Cable entry faces

Technical Data

Electrical specifications

Operating voltage	240 V AC , 115 V AC , 24 V DC , further on request
Terminal capacity	0.5 ... 2.5 mm ²
Line monitoring	blocking diode included
Function	alarm sounder
Sound pressure level, maximum	114 dB @ 1 m , 107 dB @ 3 m
Sound pressure level, nominal	110 dB @ 1 m +/- 3 dB - sound 2 , 104 dB @ 3 m
Sound pressure level, control	105 ... 113 dB , sound 2
Effective sound range	100 m @ 1 kHz
Number of sounds	45 , UKOOA / PFEER compliant
Number of stages	3
Function 2	flashing beacon
Lens color	red , yellow , blue , green , further on request
Flash mode	flash rate: 1 Hz / 1.5 Hz / 2 Hz double strike / triple strike flash steady light high power / low power
Effective luminous intensity	87 cd @ steady light high power 160 cd @ 1 Hz flash
Illuminant, type	array of 4x high-intensity Cree® LED
Illuminant, life	60000 hours

Mechanical specifications

Degree of protection	IP66 acc. to EN 60529 IP64 acc. to EN 60079-0 type rating per UL50E/NEMA2 50: 4/4X/13
Cable entry face B	
M20 quantity	2
M20 type	metric ISO pitch 1.5 mm
M20 info	Stopping Plug 1x plastic
Material	
Enclosure	PPS and fiber reinforced ABS, UL94-V0 and 5VA
Glass	Borosilicate glass
Finish	inherent color black
Mounting bracket	stainless steel 1.4301 / AISI 304
Mass	DC: 3 kg , AC: 3.5 kg
Dimensions	
External dimension (A)	316 mm
External dimension (B)	166 mm
External dimension (C)	81 mm

Release date: 2020-06-02 Date of issue: 2020-06-02 Filename: t191171_eng.pdf

Refer to "General Notes Relating to Pepperl+Fuchs Product Information".

Pepperl+Fuchs Group
www.pepperl-fuchs.com

USA: +1 330 486 0002
pa-info@us.pepperl-fuchs.com

Germany: +49 621 776 2222
pa-info@de.pepperl-fuchs.com

Singapore: +65 6779 9091
pa-info@sg.pepperl-fuchs.com

 PEPPERL+FUCHS

Technical Data

Mounting holes distance (G)	12.5 mm
Mounting holes distance (H)	30 mm
Mounting holes distance (H1)	83 mm
Mounting holes diameter (J)	7 mm
Depth mounting frame (S)	160 mm
Maximum external dimension (K)	170.6 mm
Ambient conditions	
Ambient temperature	-20 ... 55 °C (-4 ... 131 °F)
Storage temperature	-40 ... 70 °C (-40 ... 158 °F)
Data for application in connection with hazardous areas	
EU-type examination certificate	DEMKO 06 ATEX 0421554X
Marking	⊕ II 3 GD Ex nA IIC T* Gc , T3 @ Ta +55 °C Ex tc IIIC T** Dc , T90 °C @ Ta +40 °C , T105 °C @ Ta +55 °C
International approvals	
UL approval	
cULus	E230764
IECEx approval	IECEx ULD 14.0012X
Conformity	
Degree of protection	EN 60529
General information	
Scope of delivery	device , 2 Stopping Plug , Instruction leaflet
Supplementary information	EC-Type Examination Certificate, Statement of Conformity, Declaration of Conformity, Attestation of Conformity and instructions have to be observed where applicable. For information see www.pepperl-fuchs.com .