

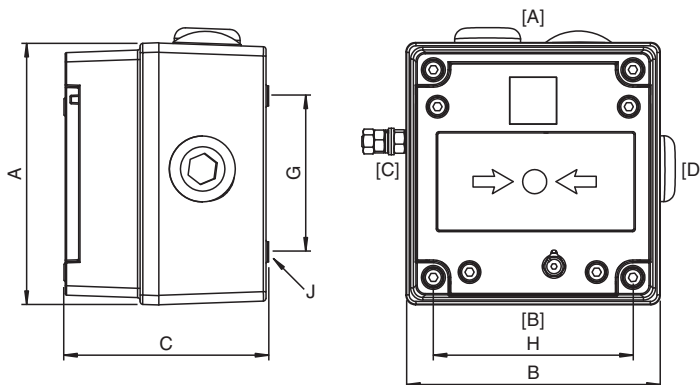


## Manual Call Point Ex ia, Aluminum PF-IS-CP4B-BG-ST-NF-NL-RD

- Spring mechanism with break glass
- Choice of series and EOL resistors
- Color red
- 95 mm x 98 mm x 76 mm
- Aluminum housing
- Installation in Zone 0, Zone 1 and Zone 2
- Ex ia certified



### Dimensions



Dimension values see data table.  
Image and drawing are generic for this device type and may deviate from the specific variant.

Legend	
A	Height
B	Width
C	Depth
G	Mounting holes distance
H	Mounting holes distance
J	Mounting holes diameter
[A] ... [D]	Cable entry faces

### Technical Data

#### Electrical specifications

Operating voltage	250 V AC max. , 50 V DC max.
Operating current	5 A AC max. 1 A DC max.
Terminal capacity	4 mm <sup>2</sup>

Release date: 2020-06-02 Date of issue: 2020-06-02 Filename: t191180\_eng.pdf

Refer to "General Notes Relating to Pepperl+Fuchs Product Information".

Pepperl+Fuchs Group  
www.pepperl-fuchs.com

USA: +1 330 486 0002  
pa-info@us.pepperl-fuchs.com

Germany: +49 621 776 2222  
pa-info@de.pepperl-fuchs.com

Singapore: +65 6779 9091  
pa-info@sg.pepperl-fuchs.com

**PF** PEPPERL+FUCHS

## Technical Data

Line monitoring		choice of series and EOL resistors on request
Function		spring mechanism , with glass protection
<b>Mechanical specifications</b>		
Cover fixing		M6 stainless steel socket cap head screws
Degree of protection		IP66
Cable entry		thru-holes direct through body
Cable entry face A		
M20 quantity		2
M20 series		Stopping Plugs, Plastic
M20 info		face A/B alternatively by rotating the lower enclosure section
Cable entry face B		
M20 quantity		2
M20 series		Stopping Plugs, Plastic
M20 info		face A/B alternatively by rotating the lower enclosure section
Cable entry face C		
M20 quantity		1
M20 series		Stopping Plugs, Plastic
M20 info		face C/D alternatively by rotating the lower enclosure section
Cable entry face D		
M20 quantity		1
M20 series		Stopping Plugs, Plastic
M20 info		face C/D alternatively by rotating the lower enclosure section
Terminal assembly		
Terminal capacity		4 mm <sup>2</sup>
Number of terminals per rail		6
Material		
Enclosure		Aluminum
Glass		1.6 mm
Finish		painted red
Seal		Rubber gasket
Mass		0.8 kg
Dimensions		
Height (A)		98 mm
Width (B)		95 mm
Depth (C)		76 mm
Mounting holes distance (G)		58.3 mm
Mounting holes distance (H)		78.4 mm
Mounting holes diameter (J)		5 mm
Grounding		internal screw joint M4 external grounding bolt M5
<b>Ambient conditions</b>		
Ambient temperature		-40 ... 55 °C (-40 ... 131 °F)
<b>Data for application in connection with hazardous areas</b>		
EU-type examination certificate		SIRA 09 ATEX 2287X
Marking		Ⓜ II 1 G Ex ia IIC T* Ga , T4 @ Ta +55 °C
<b>International approvals</b>		
IECEX approval		IECEX SIR 09.0122X
GOST-R approval		POCC GB.JB05.B03365
<b>Conformity</b>		
Degree of protection		EN 60529
<b>General information</b>		
Scope of delivery		device test key Instruction leaflet

Release date: 2020-06-02 Date of issue: 2020-06-02 Filename: t191180\_eng.pdf

Refer to "General Notes Relating to Pepperl+Fuchs Product Information".

 Pepperl+Fuchs Group  
www.pepperl-fuchs.com

 USA: +1 330 486 0002  
pa-info@us.pepperl-fuchs.com

 Germany: +49 621 776 2222  
pa-info@de.pepperl-fuchs.com

 Singapore: +65 6779 9091  
pa-info@sg.pepperl-fuchs.com

 **PEPPERL+FUCHS**

## Technical Data

Supplementary information

EC-Type Examination Certificate, Statement of Conformity, Declaration of Conformity, Attestation of Conformity and instructions have to be observed where applicable. For information see [www.pepperl-fuchs.com](http://www.pepperl-fuchs.com).

Release date: 2020-06-02 Date of issue: 2020-06-02 Filename: t191180\_eng.pdf

Refer to "General Notes Relating to Pepperl+Fuchs Product Information".

Pepperl+Fuchs Group  
[www.pepperl-fuchs.com](http://www.pepperl-fuchs.com)

USA: +1 330 486 0002  
[pa-info@us.pepperl-fuchs.com](mailto:pa-info@us.pepperl-fuchs.com)

Germany: +49 621 776 2222  
[pa-info@de.pepperl-fuchs.com](mailto:pa-info@de.pepperl-fuchs.com)

Singapore: +65 6779 9091  
[pa-info@sg.pepperl-fuchs.com](mailto:pa-info@sg.pepperl-fuchs.com)

 **PEPPERL+FUCHS**