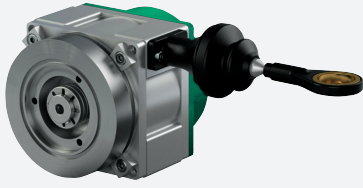


Cable pull ECN21IL-*



- Robust aluminum drum housing
- Compact design
- Bellows with steel tip
- Wide range of mounting options
- Up to 5 m of measuring cable
- Rust and acid-resistant measuring cable
- Optionally with guide pulley

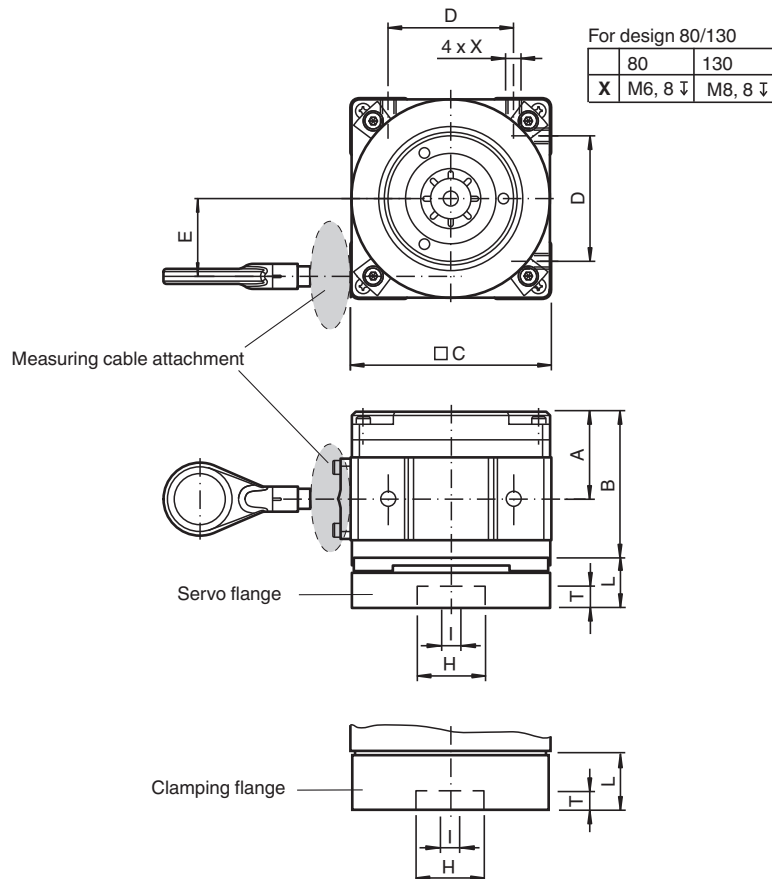
Cable pull

Function

Cable pull with a robust design to suit a wide range of requirements.

Dimensions

For design 80/130



Release date: 2022-12-12 Date of issue: 2022-12-12 Filename: t192302_eng.pdf

Refer to "General Notes Relating to Pepperl+Fuchs Product Information".

Pepperl+Fuchs Group
www.pepperl-fuchs.com

USA: +1 330 486 0001
fa-info@us.pepperl-fuchs.com

Germany: +49 621 776 1111
fa-info@de.pepperl-fuchs.com

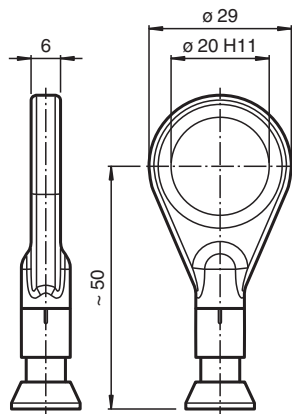
Singapore: +65 6779 9091
fa-info@sg.pepperl-fuchs.com

PF PEPPERL+FUCHS

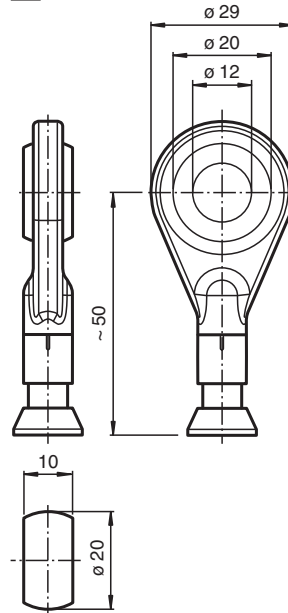
Dimensions

Cable mounts

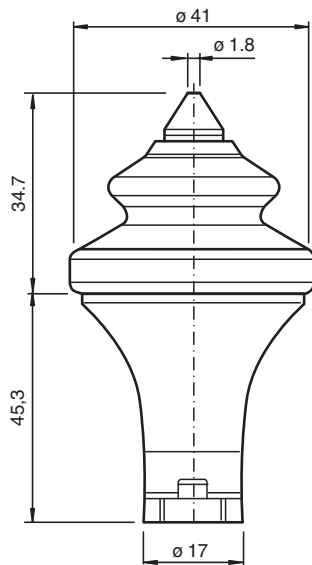
A Brass ring PE



C Ball joint



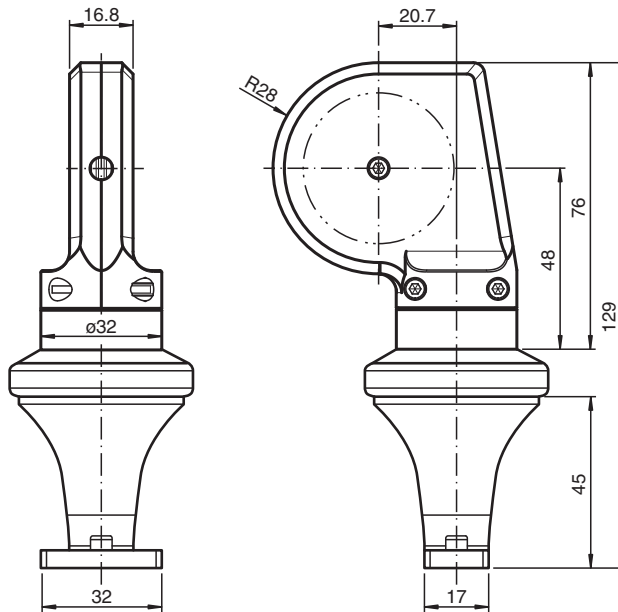
1 Bellows with steel tip



Release date: 2022-12-12 Date of issue: 2022-12-12 Filename: t192302_eng.pdf

Dimensions

4 Guide pulley



Technical Data

General specifications

Device type	Industrial Line
Measuring range	2000 ... 5000 mm
Construction type	80 mm, 130 mm

Functional safety related parameters

B _{10d}	300000
------------------	--------

Ambient conditions

Ambient temperature	-30 ... 70 °C (-22 ... 158 °F)
---------------------	--------------------------------

Mechanical specifications

Rope diameter	0.55 mm
Retraction speed	4 m/s
Degree of protection	IP64
Material	
Housing	anodized aluminum
Rope	Stainless steel 1.4401/316
Life span	up to 10 ⁶ Cycles

General information

Scope of delivery	Shaft coupling for mounting a rotary encoder depending on the flange type , Mounting clips , bolts for mounting the adapter and a rotary encoder , Sealing elements (various seals for mounting a rotary encoder) , Hexagon socket wrench, 1.3 AF
-------------------	---

Dimensions

Variable Data and Dimensions

Technical Data	Design 80		Design 130
Measuring length (in m)	02	03	05
Drum size (incl. cable) (in mm)	200		333.3
Repeatability (max. in mm)	0.2	0.3	0.5
Hysteresis (max. in mm)	1	1.5	1.5
Spring retraction force (in N)	8-14	7-11	15-21
Weight (in kg)	1.3	1.4	2.6
Dimensions (in mm)			
A	34.5	45.5	59.5
B	58	69	85.8
C	80		130
D	50		80
E	31		52

Flange dimensions for adapting rotary encoders

Design	80	130	80	130	80	130
Flange type	Servo flange				Clamping flange	
Designation	X1		X3		X2	
H (= flange Ø) (in mm)	50		33		36	
Clamping circuit Ø (in mm)	42		26		48	
I (= shaft Ø) (in mm)	6		6		10	
Wavelength (in mm)	10		11.5		20	
Dimensions (in mm)						
Length L	20		24	22	36.8	34.8
Depth D	3.8		3	3	10	10

Type Code

Model Number

E	C	N	2	1	I	L	-					A	-		
---	---	---	---	---	---	---	---	--	--	--	--	---	---	--	--

Flange type

X1 Servo flange Ø 50 mm/42 mm/3 x M4; shaft Ø 6 mm x 10 mm

X2 Clamping flange Ø 36/48 mm/3 x M4; shaft; Ø 10 mm x 20 mm

Model Number

					X3 Servo flange Ø 33 mm/26 mm/4 x M3; shaft Ø 6 mm x 11.5 mm
					Material
					A STD anodized aluminum
					Attachment
				1	Bellow tight steel tip
				4	Guide pulley
					Cable mounts
				A	Ring PE carrier
				C	Ball joint
					Length of measuring cable
02					2 m
03					3 m
05					5 m

Release date: 2022-12-12 Date of issue: 2022-12-12 Filename: t192302_eng.pdf