

Sockets Ex de

PS*-4*



- Ex de and Ex t certified
- Glass fiber reinforced polyester (GRP) enclosure
- Full equipment certified
- Installation in Zone 1, Zone 2, Zone 21 and Zone 22
- Degree of protection IP66
- Degree of protection ensured by means of bayonet catch
- Low insertion force
- Self-cleaning lamellar contacts



Type Code

Device type						
PS	Plugs and Sockets Ex de					
	Operating current					
	nn	max. A, see data table				
		Variant				
		-4	socket			
		-7	plug			
			Number of poles			
			3 ... 5	see data table		
				Pin configuration		
			nn	pins and protective contact positioning, see data table		
				Auxiliary contacts		
			00	none		
PS	125	-4	5	06	00	Example
Example: Socket Ex de max. 125 A, 380 ... 415 V, 5-pole red, protective contact position 6 h						
PS	16	-7	3	04	00	Example
Example: Plug Ex de max. 16 A, 110 ... 113 V, 3-pole yellow, protective contact position 4 h						

Release date: 2020-08-06 Date of issue: 2020-08-06 Filename: t194109_eng.pdf

Refer to "General Notes Relating to Pepperl+Fuchs Product Information".

Pepperl+Fuchs Group
www.pepperl-fuchs.com

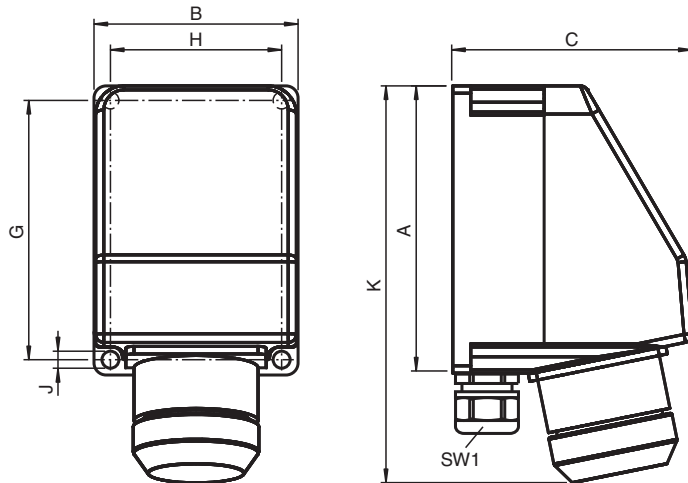
USA: +1 330 486 0002
pa-info@us.pepperl-fuchs.com

Germany: +49 621 776 2222
pa-info@de.pepperl-fuchs.com

Singapore: +65 6779 9091
pa-info@sg.pepperl-fuchs.com

PF PEPPERL+FUCHS

Dimensions



Dimension values see data table.
Image and drawing are generic for this device type and may deviate from the specific variant.

Legend	
A	External dimension
B	External dimension
C	External dimension, depth
G	Mounting holes distance
H	Mounting holes distance
J	Mounting holes diameter
K	Maximum external dimension
SW1	Cable entry

Technical Data

Electrical specifications

Operating voltage	see table
Operating current	see table
Terminal capacity	see table
Supply frequency	50/60 Hz
Function	socket
Usage category	see table
Number of poles	see table
Color coding according to IEC 60309	see table
Protective contact position according to IEC 60309	see table

Mechanical specifications

Cable type	non-armored cables
Cover fixing	see table
Degree of protection	IP66
Cable entry	
Number of cable entries	see table 1x Cable gland , 1x Stopping Plug
Material	
Housing	carbon loaded, antistatic glass fiber reinforced polyester (GRP)
Finish	inherent color black
Mass	see table
Dimensions	see table

Ambient conditions

Release date: 2020-08-06 Date of issue: 2020-08-06 Filename: t194109_eng.pdf

Refer to "General Notes Relating to Pepperl+Fuchs Product Information".

Pepperl+Fuchs Group
www.pepperl-fuchs.com

USA: +1 330 486 0002
pa-info@us.pepperl-fuchs.com

Germany: +49 621 776 2222
pa-info@de.pepperl-fuchs.com

Singapore: +65 6779 9091
pa-info@sg.pepperl-fuchs.com

 **PEPPERL+FUCHS**

Technical Data

Ambient temperature	-40 ... 55 °C (-40 ... 131 °F)
Data for application in connection with hazardous areas	
EU-type examination certificate	SIRA 11 ATEX 1044
Marking	Ⓜ II 2 GD Ex de IIC T6 Gb Ex t IIIC T80 °C Db
International approvals	
IECEX approval	IECEX SIR 11.0026
Conformity	
Degree of protection	EN 60529
Usage category	IEC / EN 60947
CE marking	0102
Plug connection	IEC 60309
General information	
Supplementary information	EC-Type Examination Certificate, Statement of Conformity, Declaration of Conformity, Attestation of Conformity and instructions have to be observed where applicable. For information see www.pepperl-fuchs.com .

Specifications Sockets PS*-4*

Type	Operating voltage [V]	Operating current max. [A]	Main terminals capacity [mm ²]	Main terminals torque [Nm]	Usage category	Number of poles	Color coding according to IEC 60309	Protective contact position according to IEC 60309	Number of cable entries	Clamping range [mm]
PS16-430400	100 ... 130	16	2.5	2.5	AC3: 690 V AC - 16 A	3	yellow	4 h	2x M25	8 ... 17
PS16-430600	200 ... 250	16	2.5	2.5	AC3: 690 V AC - 16 A	3	blue	6 h	2x M25	8 ... 17
PS16-440600	380 ... 415	16	2.5	2.5	AC3: 690 V AC - 16 A	4	red	6 h	2x M25	8 ... 17
PS16-440700	480 ... 500	16	2.5	2.5	AC3: 690 V AC - 16 A	4	black	7 h	2x M25	8 ... 17
PS16-450600	380 ... 415	16	2.5	2.5	AC3: 690 V AC - 16 A	5	red	6 h	2x M25	8 ... 17
PS32-440600	380 ... 415	32	6	2.5	AC3: 690 V AC - 32 A	4	red	6 h	2x M32	12 ... 21
PS32-440700	480 ... 500	32	6	2.5	AC3: 690 V AC - 32 A	4	black	7 h	2x M32	12 ... 21
PS32-450600	380 ... 415	32	6	2.5	AC3: 690 V AC - 32 A	5	red	6 h	2x M32	12 ... 21
PS63-440600	380 ... 415	63	16	3	AC3: 690 V AC - 63 A	4	red	6 h	2x M50	22 ... 35
PS63-440700	480 ... 500	63	16	3	AC3: 690 V AC - 63 A	4	black	7 h	2x M50	22 ... 35
PS63-450600	380 ... 415	63	16	3	AC3: 690 V AC - 63 A	5	red	6 h	2x M50	22 ... 35
PS125-440600	380 ... 415	125	50	3	AC3: 690 V AC - 125 A	4	red	6 h	2x M63	27 ... 48
PS125-440700	480 ... 500	125	50	3	AC3: 690 V AC - 125 A	4	black	7 h	2x M63	27 ... 48
PS125-450600	380 ... 415	125	50	3	AC3: 690 V AC - 125 A	5	red	6 h	2x M63	27 ... 48

Dimensions Sockets PS*-4*

Type	External dimensions [mm]				Mounting [mm]			Mass [kg]	Cover screws		
	A	B	C	K	G	H	J		Mx	qty.	Torque [Nm]
PS16-430400	156	103	122	223	142	86	6	1.2	M4	4	2.5
PS16-430600	156	103	122	223	142	86	6	1.2	M4	4	2.5
PS16-440600	176	123	147	241	163	106	6	1.2	M4	4	2.5
PS16-440700	176	123	147	241	163	106	6	1.2	M4	4	2.5
PS16-450600	176	123	147	241	163	106	6	1.2	M4	4	2.5
PS32-440600	211	133	162	294	198	118	6	1.8	M4	4	2.5
PS32-440700	211	133	162	294	198	118	6	1.8	M4	4	2.5
PS32-450600	211	133	162	294	198	118	6	1.8	M4	4	2.5
PS63-440600	371	201	248	472	352	181	9	8.25	M6	4	3
PS63-440700	371	201	248	472	352	181	9	8.25	M6	4	3
PS63-450600	371	201	248	472	352	181	9	8.83	M6	4	3
PS125-440600	431	249	274	538	411	228	9	13	M6	4	3
PS125-440700	431	249	274	538	411	228	9	8.25	M6	4	3
PS125-450600	431	249	274	538	411	228	9	14	M6	4	3

Release date: 2020-08-06 Date of issue: 2020-08-06 Filename: t194109_eng.pdf

Refer to "General Notes Relating to Pepperl+Fuchs Product Information".

Pepperl+Fuchs Group
www.pepperl-fuchs.comUSA: +1 330 486 0002
pa-info@us.pepperl-fuchs.comGermany: +49 621 776 2222
pa-info@de.pepperl-fuchs.comSingapore: +65 6779 9091
pa-info@sg.pepperl-fuchs.com

PEPPERL+FUCHS