



Operator Workstation (RM)

VisuNet GXP Remote Monitor Zone 1/21 (2020 Generation)

RM-GXP1100-19S-* -T3*

- 19 in (48 cm) display
- Thin Client solution (with VisuNet RM Shell firmware)
- Lightweight design
- Completely modular system for easy field maintainability
- Flush or bezel mounting options
- IP66 rating for each individual component and entire system with housing
- Certified for ATEX and IECEx Zone 1/21
- UL listed for USA and Canada

VisuNet GXP Remote Monitor Zone 1/21 (2020 Generation, Intel® Atom Apollo Lake Processor)



Function

The VisuNet GXP Remote Monitor (RMGXP1100-19S*/RM-GXP1200-19S*) is a lightweight modular operator workstation for use in hazardous locations according to ATEX and IECEx Zone 1/21 as well as Class I and II, Division 2, and Class III. Certification for Class I, Zone 2; Class II, Zone 22; and Class III, Zone 22 is also available.

The system assembly consists of three core components that are fieldreplaceable by the customer.

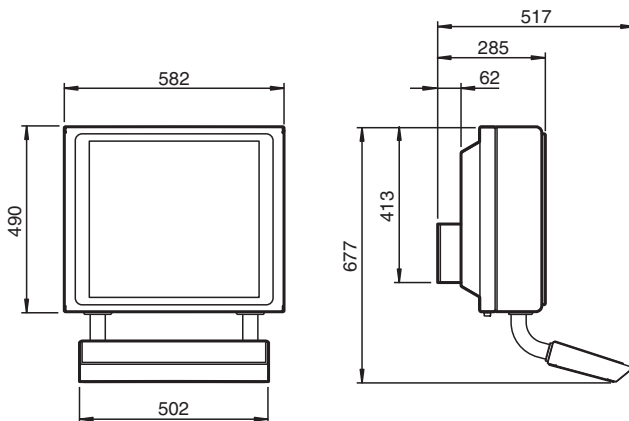
The display unit (DPU1100-*/DPU1200-*) is a hazardous-location rated display panel with an optional 10 finger multitouch sensor. The display and touchsensor are optically bonded with the hardened front glass.

The thin client unit (TCU1100-*/TCU1200-*) is a hazardous-location rated computing unit that runs the latest Pepperl+Fuchs RM Shell firmware. The TCU allows connection to various host systems in the safe area, using standard Ethernet technology.

The power supply units (PSU1100-*/PSU1200-*) are hazardous-location rated power supplies, providing the TCU and DPU devices with 24 V DC power.

As a standard mounting option, a bezel is available that allows the panel to be mounted into the system housing or into a cabinet (requires mounting kit). The panel can also be flush-mounted into a cabinet from the back with additional mounting brackets.

Dimensions



Release date: 2024-04-30 Date of issue: 2024-04-30 Filename: t194579_eng.pdf

Refer to "General Notes Relating to Pepperl+Fuchs Product Information".

Pepperl+Fuchs Group
www.pepperl-fuchs.com

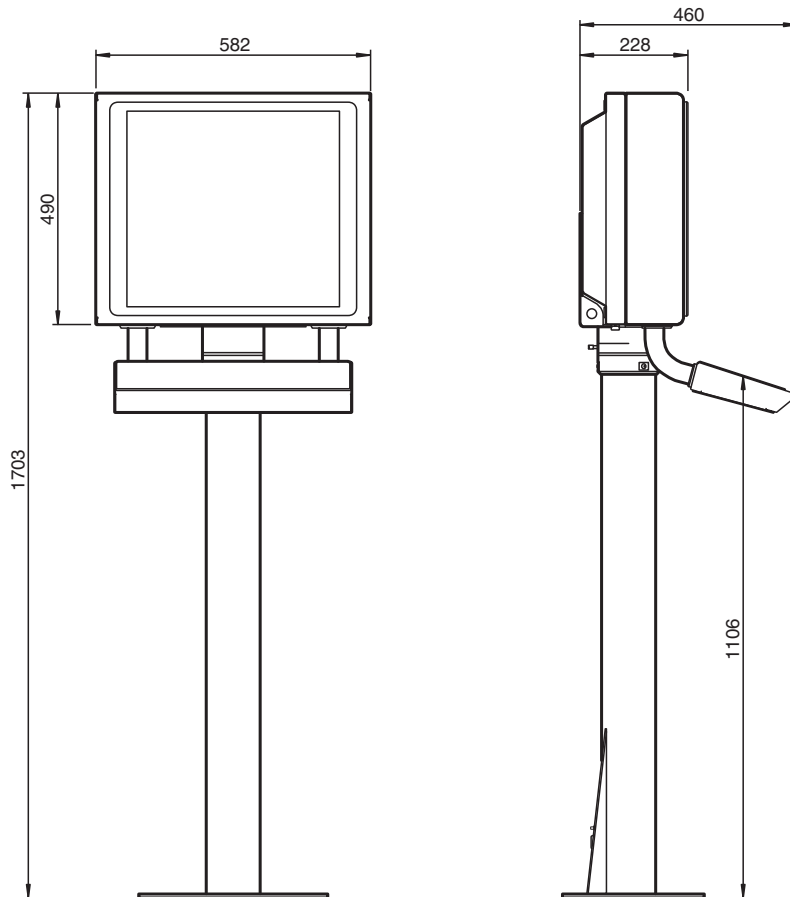
USA: +1 330 486 0002
pa-info@us.pepperl-fuchs.com

Germany: +49 621 776 2222
pa-info@de.pepperl-fuchs.com

Singapore: +65 6779 9091
pa-info@sg.pepperl-fuchs.com

PF PEPPERL+FUCHS

Dimensions



Technical Data

General specifications	
Type	Remote Monitor
Hardware	
Processor	Intel® Atom Apollo Lake E3930 Alternative: Intel® Atom™ Atom Apollo Lake E3940*
RAM	4 GB
Mass storage	32 GByte industrial grade MLC SSD
Supply	
Power consumption	
AC	115/230 V AC, 0.4 ... 0.7 A, 50/60 Hz
DC	18 ... 36 V DC, 1.5 ... 3 A
Indicators/operating means	
Display	
Type	Liquid Crystal Display (LCD) with LED backlight
Screen diagonal	48.26 cm (19 inch)
Resolution	1280 x 1024 (SXGA), Aspect ratio 5:4
Color depth	24 bit (16.7 M) color
Contrast	1000:1
Brightness	450 cd/m ² (nit)
Reading angle	170° horizontal 160° vertical
Life span	back lamp life: 50.000 hrs typical half life, at 25 °C (77 °F)
Input devices	
Touch screen	optional: projective capacitive; 10 finger multi-touch, glove friendly
Keyboard	Foil keyboard with different pointing device options available (see EXTA4 datasheet)

Release date: 2024-04-30 Date of issue: 2024-04-30 Filename: t194579_eng.pdf

Refer to "General Notes Relating to Pepperl+Fuchs Product Information".

Pepperl+Fuchs Group
www.pepperl-fuchs.com

USA: +1 330 486 0002
pa-info@us.pepperl-fuchs.com

Germany: +49 621 776 2222
pa-info@de.pepperl-fuchs.com

Singapore: +65 6779 9091
pa-info@sg.pepperl-fuchs.com

 PEPPERL+FUCHS

Technical Data

Interface	
Interface type	<p>Standard:</p> <ul style="list-style-type: none"> 1 x Ethernet 100/1000BASE-TX (Ex e) or 1 x fiber optic 1000BASE-SX (Multimode) or 1 x fiber optic 1000BASE-LX (Singlemode), 1 x USB 2.0 (Ex e), 2 x USB 1.1 (Ex i; intended for Pepperl+Fuchs keyboard and mouse), 1 x DC or AC power in (via power supply unit) <p>Optional:</p> <p>"interface 3": 1 x barcode reader interface for wired 1-D scanners IDM-160-D*, IDM-Z1-160-D-* and base station IDMX61-B-* and IDM-Z1-x61-B-* (Ex i)</p> <p>"interface 4": 1 x barcode reader interface for wired 2-D Scanner IDM-Z1-260-D-* (Ex i)</p> <p>"interface 5": 1 x RS-232 interface with Power Supply for miscellaneous devices and peripherals (Ex i)</p> <ul style="list-style-type: none"> 1 x RS-232 (Ex e) 1 x RS-485 (Ex e) 1 x Ethernet 100/1000Base-TX (Ex e) <p>Bluetooth v4.0, communication distance up to 30 m in open terrain, transmission power +8 dBm, transmission frequency 2.402 ... 2.48 GHz</p>
Directive conformity	
Electromagnetic compatibility	
Directive 2014/30/EU	EN 61326-1:2013 (industrial locations) non-Bluetooth products only
Radio and telecommunication terminal equipment	
Directive 2014/53/EU	EN 301 328 V2.1.1 EN 301 489-1 V2.1.1 EN 301 489-17 V3.1.1 Bluetooth products only
RoHS	
Directive 2011/65/EU (RoHS)	EN 50581:2012-09
Software	
Operating system	VisuNet RM Shell 5.x (based on Microsoft® Windows® 10 IoT Enterprise 2019 LTSC (x64))
Ambient conditions	
Operating temperature	-20 ... 50 °C (-4 ... 122 °F)
Storage temperature	-20 ... 60 °C (-4 ... 140 °F)
Relative humidity	93% at 40°C, non-condensating, according to EN60068-2-78
Altitude	Operating altitude max. 2000 m
Shock resistance	18 shocks 15 g , 11 ms all axis, IEC 60068-2-27
Vibration resistance	10 ... 150 Hz, +/- 0.075 mm , 1g, 10 cycles per axis according to EN60068-2-6
Mechanical specifications	
Degree of protection	IP66 (individual components and entire system with housing)
Material	<p>Internal:</p> <ul style="list-style-type: none"> Panel: anodized aluminum (TCU, PSU), powder coated aluminum (DPU) <p>External:</p> <ul style="list-style-type: none"> Bezel: stainless steel AISI 304 (1.4301) System housing: stainless steel AISI 304 (1.4301), bead blasted, typical surface roughness Ra = 1.6 µm
Installation	<ul style="list-style-type: none"> Flush-mount installation (requires customized mounting kit) Panel-mount installation into system housing with bezel Panel-mount installation into cabinet with Bezel and standard mounting kit
Mass	panel with DC: 22 kg , panel with AC: 23 kg , system housing AG1: 19 kg
Dimensions	<ul style="list-style-type: none"> panel with DC: 524 mm x 453 mm x 120 mm panel with AC: 524 mm x 453 mm x 137 mm panel with AG1 housing: 582 mm x 490 mm x 224 mm
Note	* see nameplate: 2021 alternative, processor cannot be selected
Data for application in connection with hazardous areas	
EU-type examination certificate	BVS 17 ATEX E 036 X
Marking	<ul style="list-style-type: none"> Ⓜ II 2G Ex eb q ib [ib] IIC T4 IP66 Gb Ⓜ II 2D Ex tb [ib] IIIC T85°C IP66 Db
Directive conformity	

Release date: 2024-04-30 Date of issue: 2024-04-30 Filename: t194579_eng.pdf

Technical Data

Directive 2014/34/EU	EN 60079-0:2012+A11:2013, EN 60079-5:2015, EN 60079-7:2015, EN 60079-11:2012, EN 60079-31:2014
International approvals	
UL approval	E492874
Approved for	Class I, Division 2, Groups A, B, C, D T4; Zone 2, Group IIC T4 Class II, Division 2, Groups F, G T4; Zone 22, Group IIIB T85 Class III; Zone 22, Group IIIA T85
IECEx approval	IECEx BVS 17.0029X
Approved for	Ex eb q ib [ib] IIC T4 IP66 Gb Ex tb [ib] IIIC T85°C IP66 Db
Standards	IEC 60079-0:2011, IEC 60079-5:2015, IEC 60079-7:2015, IEC 60079-11:2011, IEC 60079-31:2013

Type Code

Model	Display Unit	Front Glass & Touch	Interfaces	Power Supply Unit	Interfaces	Module A	Module B	Computing Platform	Housing	Options
Model										
RM-GXP1100-	VisuNet GXP Remote Monitor System; Zone 1/21									
RM-GXP1200-	VisuNet GXP Remote Monitor System; Zone 2/22									
Display Unit										
19S	19 inch, SXGA (1280x1024)									
Front Glass & Touch										
N	Anti-glare security glass, no touch									
C	Anti-glare security glass, projective capacitive 10-finger multitouch									
Interfaces										
1-	5 x capacitive system front keys									
2-	5 x capacitive system front keys and Bluetooth interface									
Power Supply Unit										
D-	18 ... 36 V DC									
A-	115/230 V AC, 50/60 Hz									
Interfaces										
E	1 x 1000BASE-T LAN Ex e, 1x USB Ex e, 2x USB Ex i									
S	1 x 1000BASE-SX fiber optic (Multimode), 1x USB Ex e, 2x USB Ex i									
L	1 x 1000BASE-LX fiber optic (Singlemode), 1x USB Ex e, 2x USB Ex i									
Module A										
N	No additional interface module									
1	1 x RS-232 Ex e									
2	1 x RS-485 Ex e									
3	1 x Ex i interface for wired 1-D barcode readers IDM-160-D*, IDM-Z1-160-D* and base station IDMX61-B-* and IDM-Z1-x61-B-*									
4	1 x Ex i interface for 2-D barcode readers IDM-Z1-260-D*									
5	1 x RS-232 Ex i interface for miscellaneous devices and peripherals									
E	1 x 1000BASE-T LAN Ex e									
Module B										
N	No additional interface module									
1	1 x RS-232 Ex e									
2	1 x RS-485 Ex e									
3	1 x Ex i interface for wired 1-D barcode readers IDM-160-D*, IDM-Z1-160-D* and base station IDMX61-B-* and IDM-Z1-x61-B-*									
4	1 x Ex i interface for 2-D barcode readers IDM-Z1-260-D*									
5	1 x RS-232 Ex i interface for miscellaneous devices and peripherals									
E	1 x 1000BASE-T LAN Ex e									
Computing Platform										
T3-	Intel® Atom Apollo Lake E3930, 4 GB RAM, 32 GB SSD, RM Shell 5.x (based on Win 10 IoT) LTSC									
Housing										
NN-	No bezel, prepared for flush mounting									
S2-	Bezel; prepared for panel mounting or into AG1 housing									
H2-	Installed into EX1 AG1 housing (SS304), front opening, for pedestal/ceiling/wall-arm									
Options										
N0-	Standard, no options									

Example: RM-GXP1100-19SN1-D-ENNT3-S2-N0