



Accessories for the VisuNet FLX System Mounting Options

Mounting Options

- Mounting options for the VisuNet FLX System
- Ideally positioned cable glands for all necessary connections
- 304 stainless steel constructions

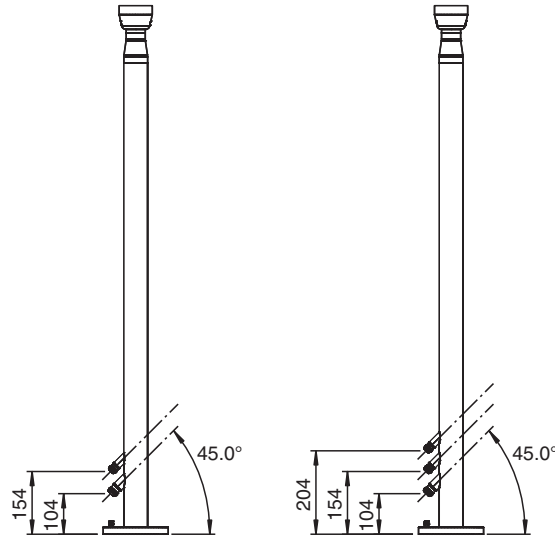
Mounting options for the VisuNet FLX System

Function

Various Mounting Options are available from Wall Mounting up to multiple pedestal options. Whatever your applications require with the VisuNet FLX you find the right solution.

Mounting

Pedestal (1) and (2)

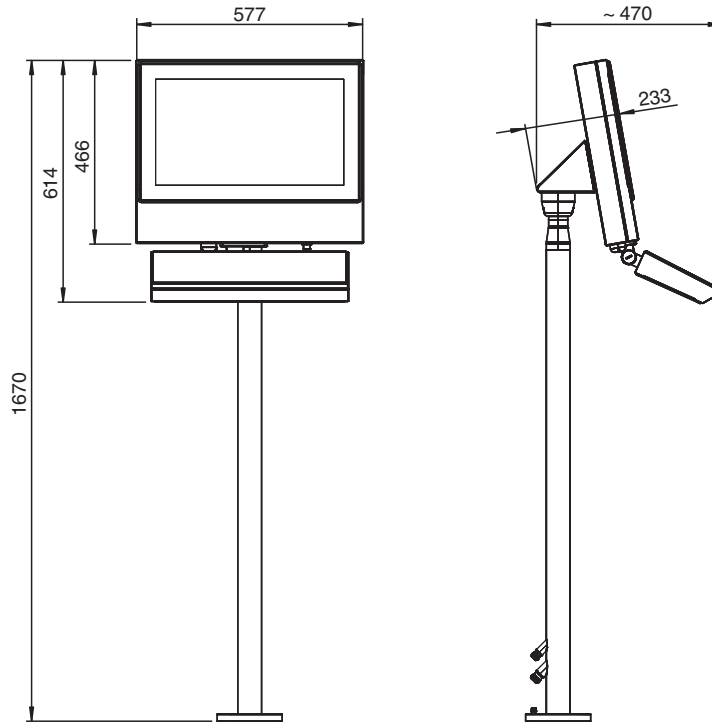


No.	Order Code	Specifications	Part No.
(1)	PEDESTAL-3200-131-2-304A-T-N0	Swivel Pedestal, floor mount - Compatible with Housing AG-3200- - Height: approx. 124 cm - Cable glands: 1x M20, 1x M16 (at bottom) - Material: Stainless steel AISI 304 (1.4301) - Angle of rotation: 300° - Incl. coupling and mounting screws	70129833
(2)	PEDESTAL-3200-131-3-304A-T-N0	Swivel Pedestal, floor mount - Compatible with Housing AG-3200- - Height: approx. 124 cm - Cable glands: 1x M20, 2x M16 (at bottom) - Material: Stainless steel AISI 304 (1.4301) - Angle of rotation: 300° - Incl. coupling and mounting screws	70129834

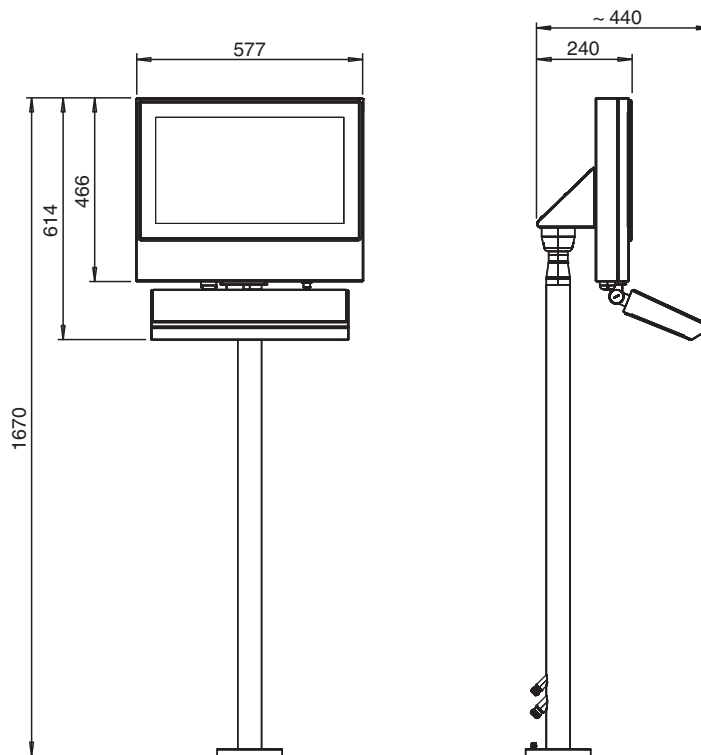
Release date: 2023-04-14 Date of issue: 2023-04-14 Filename: t199226_eng.pdf

Refer to "General Notes Relating to Pepperl+Fuchs Product Information".

Mounting Adapter (1) and (3)



Mounting Adapter (2) and (4)



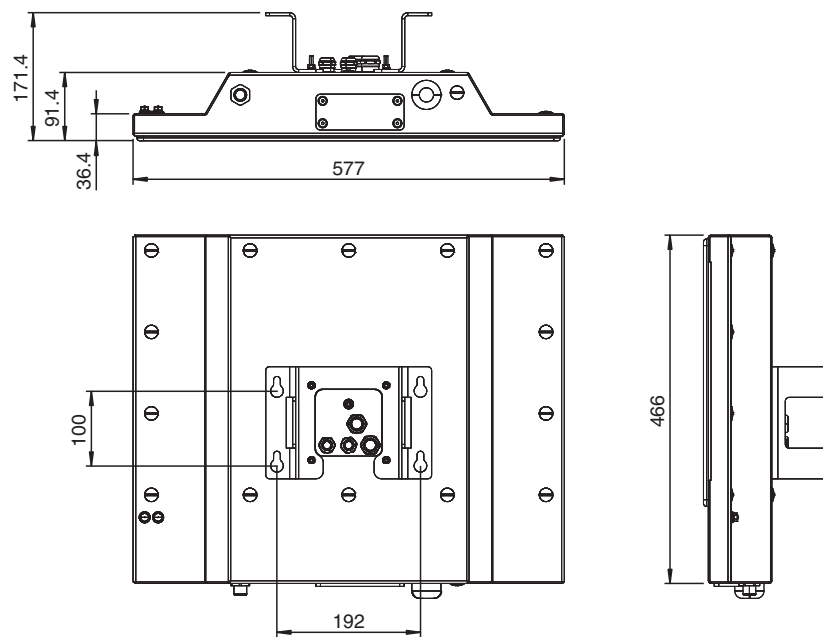
Release date: 2023-04-14 Date of issue: 2023-04-14 Filename: t199226_eng.pdf

No.	Order Code	Specifications	Part No.
(1)	ADAPTER-3200-10-304A-N0	Adapter for pedestal mounting compatible with Housing AG-3200-* - 10° tilted - Material: Stainless steel AISI 304 (1.4301) - Surface finish: bead blasted (Ra <= 1.6 µm) - Compatible with Pedestal-1-150-* and Pedestal-3200-* series - Incl. screws to fix adapter to housing	70130768

Refer to "General Notes Relating to Pepperl+Fuchs Product Information".

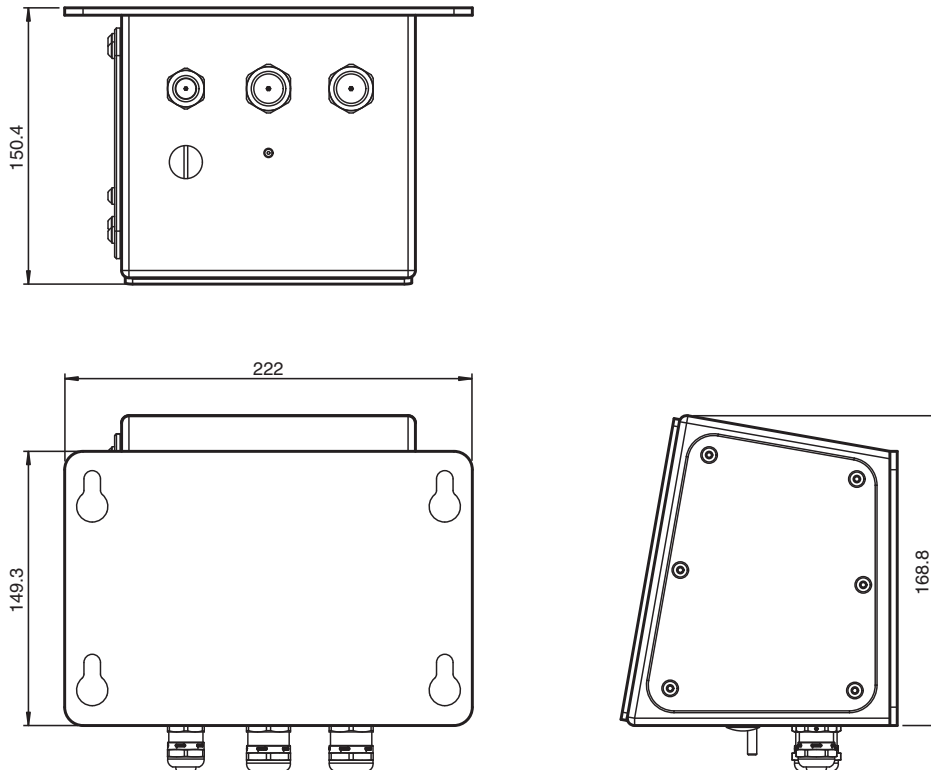
No.	Order Code	Specifications	Part No.
(2)	ADAPTER-3200-00-304A-N0	Adapter for pedestal, wall arm, ceiling mounting compatible with Housing AG-3200-* - 0° tilted - Material: Stainless steel AISI 304 (1.4301) - Surface finish: bead blasted (Ra <= 1.6 µm) - Compatible with Pedestal-1-130-* - Incl. screws to fix adapter to housing	70130769
(3)	ADAPTER-3200-10-304B-N0	Adapter for pedestal mounting compatible with Housing AG-3200-* - 10° tilted - Material: Stainless steel AISI 304 (1.4301) - Surface finish: brushed (Ra <= 0.8 µm) - Compatible with Pedestal-1-150-* and Pedestal-3200-* series - Incl. screws to fix adapter to housing	70129831
(3a)	ADAPTER-3200-10-304B-M12	Adapter for pedestal mounting compatible with Housing AG-3200-* - 10° tilted - prepared for IDM barcode reader (via M12 connector) - Surface finish: brushed (Ra <= 0.8 µm) - Incl. mounting material to fix adapter to housing	70144012
(4)	ADAPTER-3200-00-304B-N0	Adapter for pedestal, wall arm, ceiling mounting compatible with Housing AG-3200-* - 0° tilted - Material: Stainless steel AISI 304 (1.4301) - Surface finish: brushed (Ra <= 0.8 µm) - Compatible with Pedestal-1-130-* - Incl. screws to fix adapter to housing	70129832

Wall Mounting Options

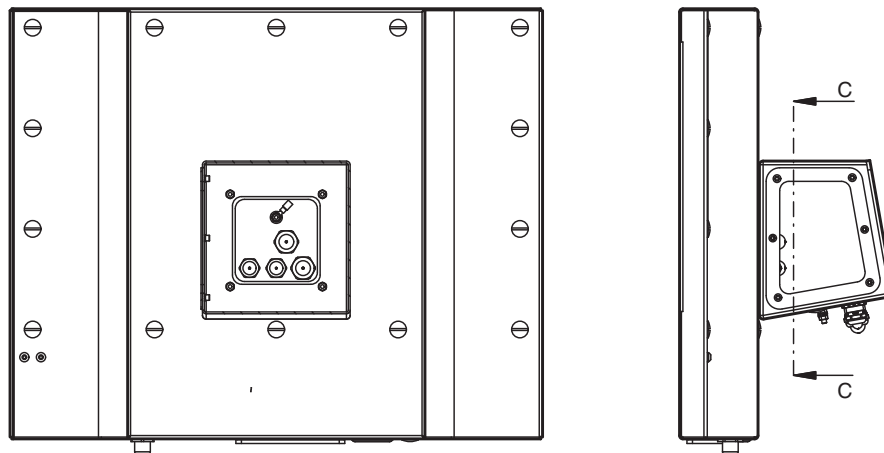


No.	Order Code	Specifications	Part No.
(1)	WALL-BRACKET-3200-304A-N0	Adapter for direct wall mounting compatible with Housing AG-3200-* Material: Stainless steel AISI 304 (1.4301)	70129835

Release date: 2023-04-14 Date of issue: 2023-04-14 Filename: t199226_eng.pdf



Mounting to FLX



No.	Order Code	Specifications	Part No.
(2)	WALL-MOUNT-3200-10-304A-M12	Adapter for direct wall mounting - compatible with Housing AG-3200- - 10° tilted - Material: Stainless steel AISI 304 (1.4301) - Surface finish: Ra <= 1,6µm, brushed - Cable glands: 1x M20, 2x M16; 1x M16 Blind-Plug (at bottom) - prepared for IDM Barcode Scanner (via M12 connector) - incl. mounting material to fix adapter to housing	70160015

Release date: 2023-04-14 Date of issue: 2023-04-14 Filename: t199226_eng.pdf