

Div 2 KVM extender kit

SK-KVM-xxx-NR-20-CR-N Series



- Locate an operator workstation up to 300 m from server or pc
- Operate keyboard, mouse, and monitor safely in a Div 2 hazardous area
- Easy installation and operation

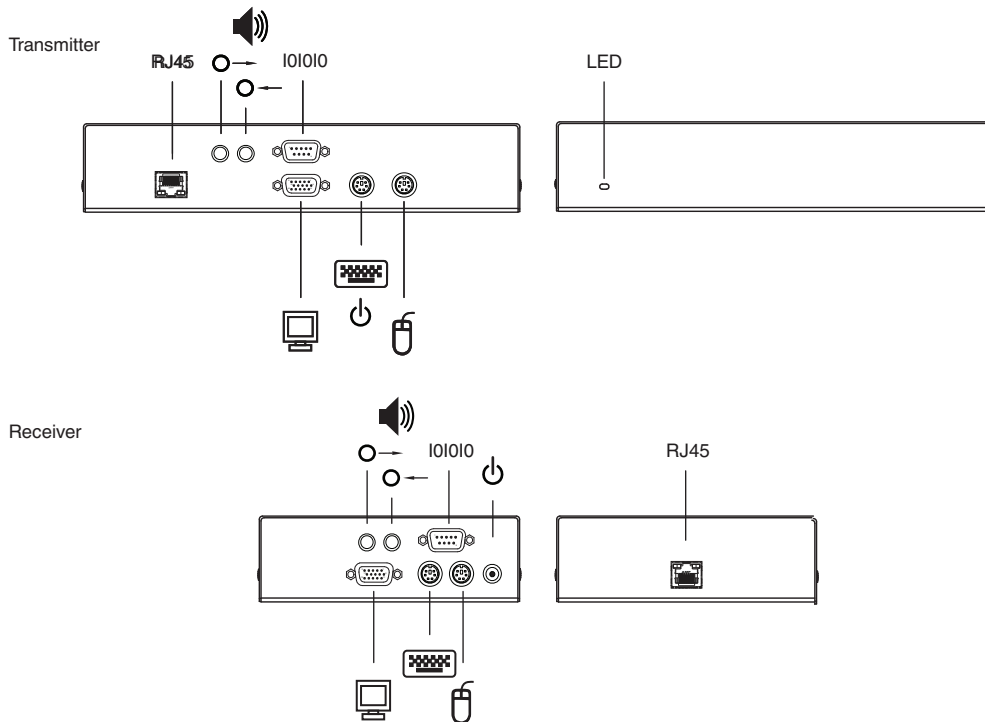
VGA to CAT5 KVM kit



Function

The Pepperl + Fuchs KVM extender SK-KVM-xxx-NR-20-CR-N is a CAT5 to VGA/ PS2 converter for use in Division 2 Hazardous areas. The system consists of two units, a transmitter and a receiver. The transmitter connects to your CPU. The receiver connects to a PS2 keyboard, VGA , and PS2 mouse or KVM station. The transmitter and receiver are connected together with CAT5 Ethernet cable.

Connection



Release date: 2021-06-22 Date of issue: 2021-06-22 Filename: t200277_eng.pdf

Refer to "General Notes Relating to Pepperl+Fuchs Product Information".

Pepperl+Fuchs Group
www.pepperl-fuchs.com

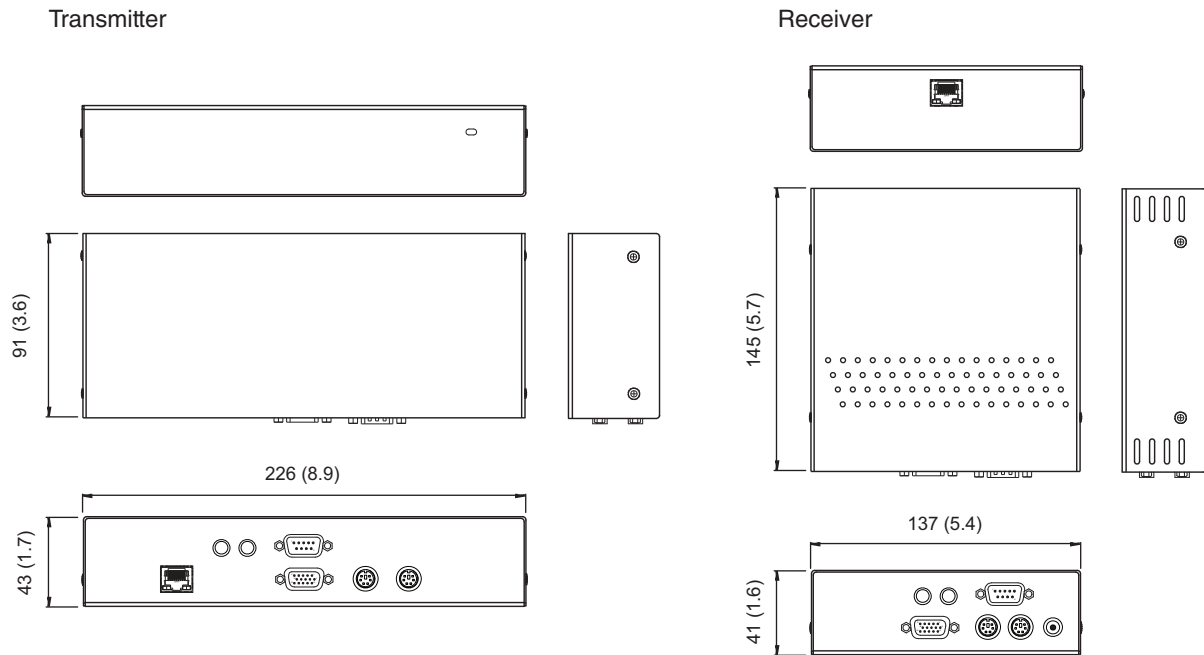
USA: +1 330 486 0002
pa-info@us.pepperl-fuchs.com

Germany: +49 621 776 2222
pa-info@de.pepperl-fuchs.com

Singapore: +65 6779 9091
pa-info@sg.pepperl-fuchs.com

PEPPERL+FUCHS

Dimensions



Technical Data

General specifications	
Resolution	1600 x 1200 @ 60 Hz 1280 x 1024 @ 75 Hz
Distance	200 m (650 ft) @ 1600 x 1200 300 m (1000 ft) @ 1280 x 1024
Supply	
Power consumption	12 V DC @ 10 W max
Indicators/operating means	
Indicators	Video check: LED
Input devices	VGA - HD15M/F 2 x PS2 (keyboard and mouse) 1 x RS232 (touchscreen) 1 x RJ45 (CAT5e/6)
Serial data	
Baud rate	19.2 Kbd max
Flow control	RTS, CTS, DTR, DSR

Release date: 2021-06-22 Date of issue: 2021-06-22 Filename: t200277_eng.pdf

Refer to "General Notes Relating to Pepperl+Fuchs Product Information".

Technical Data

Audio data	
Drive capability	4 V p-p
Impedance	47 kΩ
Connector type	3.5 mm stereo jack
Transmission method	16 bit, 38.4 KHz digitized audio
Speaker	powered
Directive conformity	
Electromagnetic compatibility	
Directive 89/336/EEC	EN55022A, EN 55024, EN61000-3-2, EN61000-3-3, IEC6100-4-2, IEC6100-4-3, IEC6100-4-4, IEC6100-4-5
Low voltage	
Directive 73/23/EEC	EN60950
Ambient conditions	
Operating temperature	0 ... 45 °C (32 ... 113 °F)
Storage temperature	-25 ... 60 °C (-13 ... 140 °F)
Mechanical specifications	
Mass	1.3 kg
Dimensions	197 mm x 100 mm x 35 mm (7.8 inch x 3.9 inch x 1.4 inch)
International approvals	
UL approval	UL Class I/Div 2

Type code



- NR** VGA signal over CAT5; PS2, Serial
- CW** DVI signal over CAT5; USB, Serial
- FW** DVI signal over fiber; USB, Serial
- CPU** Transmitter
- MON** Receiver
- KIT** Transmitter and receiver

Release date: 2021-06-22 Date of issue: 2021-06-22 Filename: t200277_eng.pdf