

# Enclosure (Ex e)

## SR\*-U\*



- Stainless Steel enclosure
- Brushed enclosure, IP66
- Installation in Zone 1, Zone 2, Zone 21 and Zone 22
- Ex eb and Ex tb certified
- Suitable for operation in Class I, II Division 2
- Suitable for operation in Class I Zone 2, Class II Zone 22
- 32 enclosure size options
- Return Flange Sealing provides Drain Channel
- Option for vertical or horizontal mounting provides high flexibility
- Customizable configuration of gland plates, ground bolt and hinges as per specification
- Wide range of accessories available

Enclosure, stainless steel, component-certified with type of protection Ex e

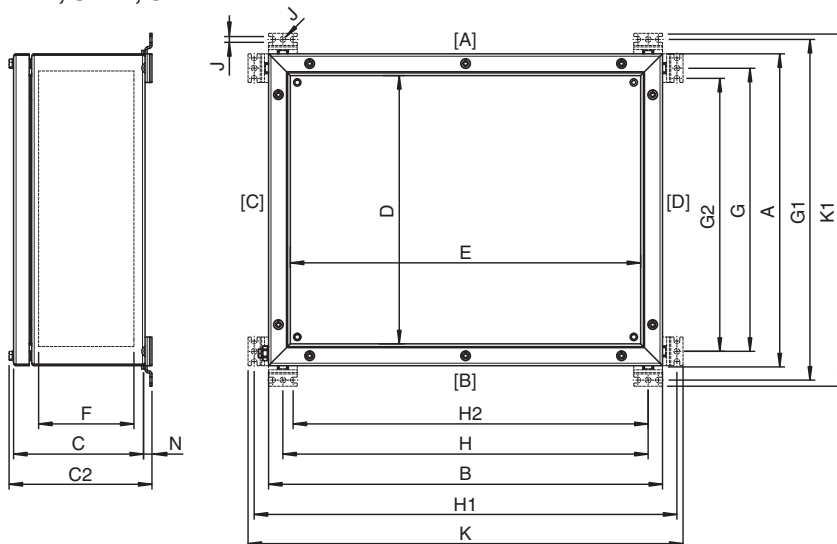


### Function

The SR series of empty component approved enclosures offer an excellent base to build your solution. Whether you plan to produce terminal boxes, control stations or control panels, the SR series has been specifically sized and designed to meet the needs of your market. The enclosures can be supplied in a primary form or fully loaded with many accessory options such as gland plates in 3 or 6 mm thickness, hinges on the left or right of the enclosure, quarter-turn locks, cover security hasp, grounding bolts in various sizes and materials as well as a wide range of labeling options. The enclosures can be installed in a landscape or portrait orientation either directly to the enclosure bottom or by means of stainless steel AISI 316L mounting brackets which are in the scope of delivery. The main body of the enclosure and its fixings are manufactured from stainless steel AISI 316L to ensure a high quality, corrosion resistant and durable enclosure.

### Dimensions

SRM.\* , SRL.\* , SRX.\*



Release date: 2025-11-12 Date of issue: 2025-11-12 Filename: t202985\_eng.pdf

Refer to "General Notes Relating to Pepperl+Fuchs Product Information".

Pepperl+Fuchs Group  
www.pepperl-fuchs.com

USA: +1 330 486 0002  
pa-info@us.pepperl-fuchs.com

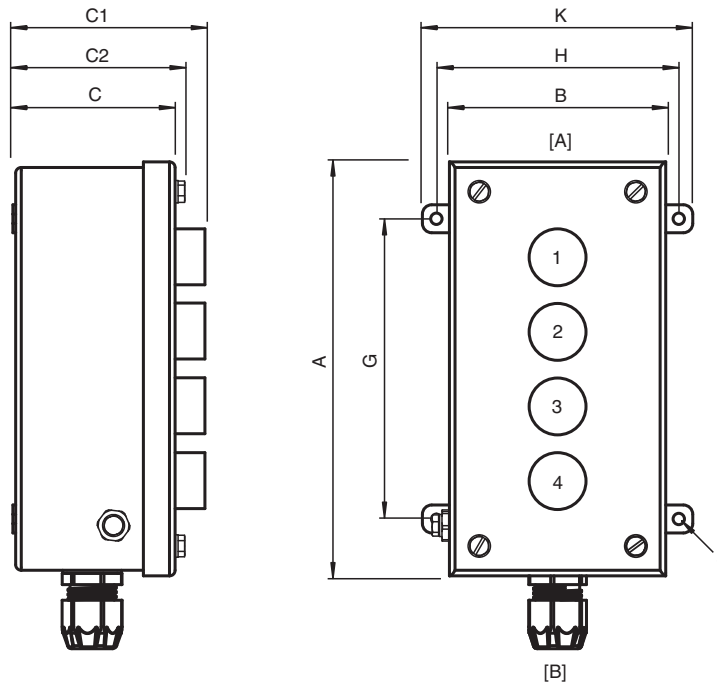
Germany: +49 621 776 2222  
pa-info@de.pepperl-fuchs.com

Singapore: +65 6779 9091  
pa-info@sg.pepperl-fuchs.com

**PF** PEPPERL+FUCHS

Dimensions

LRS\*./SRS.\*



Dimension values see data tables.  
Image and drawing are generic for this device type and may deviate from the specific variant.

Dimensions and Enclosure Details

Type	External dimensions [mm]						Internal dimensions [mm]			Mass [kg]	Cover screws		
	A	B	C	C2	K	K1	D	E	F		Mx	qty.	Torque [Nm]
SRS.10.11.09	102	116	86	91	145	-	72	86	72	0.7	M6	4	3 - 3.5
SRS.11.14.09	116	142	86	91	-	145	86	112	72	1	M6	4	3 - 3.5
SRS.11.18.09	116	182	86	91	-	145	86	152	72	1.3	M6	4	3 - 3.5
SRS.11.22.09	116	222	86	91	-	145	86	192	72	1.5	M6	4	3 - 3.5
SRS.15.15.09	156	156	94	99	185	-	126	126	80	1.9	M6	4	3 - 3.5
SRS.15.19.09	156	196	94	99	225	-	126	166	80	2.5	M6	4	3 - 3.5
SRS.19.19.10	196	196	104	109	225	-	166	166	90	3	M6	4	3 - 3.5
SRM.19.38.16	190	380	160	174	430	240	136	326	124.5	6.2	M6	4	3 - 3.5
SRM.23.30.16	230	300	160	174	350	280	176	246	124.5	5.8	M6	4	3 - 3.5
SRM.26.26.09	260	260	87	101	310	310	206	206	51.5	5.3	M6	4	3 - 3.5
SRM.26.26.16	260	260	160	174	310	310	206	206	124.5	5.8	M6	4	3 - 3.5
SRM.26.26.22	260	260	220	234	310	310	206	206	184.5	6.3	M6	4	3 - 3.5
SRM.31.31.09	310	310	87	101	360	360	256	256	51.5	7.2	M6	4	3 - 3.5
SRM.31.31.16	310	310	160	174	360	360	256	256	124.5	8	M6	4	3 - 3.5
SRM.31.31.22	310	310	220	234	360	360	256	256	184.5	8.8	M6	4	3 - 3.5
SRM.38.38.16	380	380	160	174	430	430	326	326	124.5	10	M6	4	3 - 3.5
SRM.38.38.22	380	380	220	234	430	430	326	326	184.5	11	M6	4	3 - 3.5
SRM.38.48.09	380	480	87	101	430	530	326	426	51.5	11	M6	6	3 - 3.5
SRM.38.48.16	380	480	160	174	530	530	326	426	124.5	12	M6	6	3 - 3.5
SRM.38.48.22	380	480	220	234	530	530	326	426	184.5	13	M6	6	3 - 3.5
SRL.38.76.16	380	760	160	174	815	430	326	706	124.5	15	M6	6	3 - 3.5
SRL.40.60.22	400	600	220	234	650	450	346	546	184.5	15.5	M6	6	3 - 3.5
SRL.48.48.16	480	480	160	174	530	530	426	426	124.5	14	M6	8	3 - 3.5
SRL.48.48.22	480	480	220	234	530	530	426	426	184.5	16	M6	8	3 - 3.5
SRL.48.76.16	480	760	160	174	810	530	426	706	124.5	20	M6	8	3 - 3.5
SRL.48.76.22	480	760	220	234	810	530	426	706	184.5	22	M6	8	3 - 3.5
SRL.60.60.26	600	600	260	274	650	650	546	546	224.5	24	M6	8	3 - 3.5
SRL.60.60.40	600	600	400	404	650	650	546	546	364.5	26	-	-	-
SRX.80.80.30	800	800	300	314	900	900	746	746	264.5	34	M6	8	3 - 3.5
SRX.80.80.40	800	800	400	404	900	900	746	746	364.5	37	-	-	-
SRX.90.60.30	900	600	300	314	700	100	846	546	264.5	33	M6	10	3 - 3.5
SRX.100.80.30	1000	800	300	314	900	1100	946	746	264.5	49	M6	10	3 - 3.5
SRX.100.80.40	1000	800	400	404	900	1100	946	746	364.5	50	-	-	-

Release date: 2025-11-12 Date of issue: 2025-11-12 Filename: t202985\_eng.pdf

Refer to "General Notes Relating to Pepperl+Fuchs Product Information".

Pepperl+Fuchs Group  
www.pepperl-fuchs.com

USA: +1 330 486 0002  
pa-info@us.pepperl-fuchs.com

Germany: +49 621 776 2222  
pa-info@de.pepperl-fuchs.com

Singapore: +65 6779 9091  
pa-info@sg.pepperl-fuchs.com

Type	External dimensions [mm]						Internal dimensions [mm]			Mass [kg]	Cover screws		
	A	B	C	C2	K	K1	D	E	F		Mx	qty.	Torque [Nm]
SRX.120.120.30	1200	1200	300	314	1300	1300	1146	1146	264.5	65	M6	16	3 - 3.5
SRX.120.120.40	1200	1200	400	404	1300	1300	1146	1146	364.5	67	-	-	-
SRX.130.80.30	1300	800	300	314	900	1400	1246	746	264.5	57	M6	12	3 - 3.5
SRX.130.80.40	1300	800	400	404	900	1400	1246	746	364.5	58	-	-	-

Mass is valid for empty enclosure, it will increase according to enclosure accessories, integrated components and entry devices  
Values might differ slightly due to manufacturing tolerances

### Mounting Dimensions and Details

Type	Mounting [mm]									screws qty.
	G	G1	G2	H	H1	H2	J	N		
SRS.10.11.09	41	-	-	-	130	-	6.1	1.5	4 (A)	
SRS.11.14.09	-	130	-	107	-	-	6.1	1.5	4 (A)	
SRS.11.18.09	-	130	-	147	-	-	6.1	1.5	4 (A)	
SRS.11.22.09	-	130	-	187	-	-	6.1	1.5	4 (A)	
SRS.15.15.09	95	-	-	-	170	-	6.1	1.5	4 (A)	
SRS.15.19.09	95	-	-	-	210	-	6.1	1.5	4 (A)	
SRS.19.19.10	135	-	-	-	210	-	6.1	1.5	4 (A)	
SRM.19.38.16	155	225	142.5	345	415	332.5	7	8.5	4 (B)	
SRM.23.30.16	195	265	182.5	265	335	252.5	7	8.5	4 (B)	
SRM.26.26.09	225	295	212.5	225	295	212.5	7	8.5	4 (B)	
SRM.26.26.16	225	295	212.5	225	295	212.5	7	8.5	4 (B)	
SRM.26.26.22	225	295	212.5	225	295	212.5	7	8.5	4 (A)	
SRM.31.31.09	275	345	262.5	275	345	262.5	7	8.5	4 (B)	
SRM.31.31.16	275	345	262.5	275	345	262.5	7	8.5	4 (B)	
SRM.31.31.22	275	345	262.5	275	345	262.5	7	8.5	4 (B)	
SRM.38.38.16	345	415	332.5	345	415	332.5	7	8.5	4 (B)	
SRM.38.38.22	345	415	332.5	345	415	332.5	7	8.5	4 (B)	
SRM.38.48.09	345	415	332.5	445	515	432.5	7	8.5	4 (B)	
SRM.38.48.16	345	415	332.5	445	515	432.5	7	8.5	4 (B)	
SRM.38.48.22	345	415	332.5	445	515	432.5	7	8.5	4 (B)	
SRL.38.76.16	345	415	332.5	725	795	712.5	7	8.5	4 (B)	
SRL.40.60.22	365	435	352.5	565	635	552.5	7	8.5	4 (B)	
SRL.48.48.16	445	515	432.5	445	515	432.5	7	8.5	4 (B)	
SRL.48.48.22	445	515	432.5	445	515	432.5	7	8.5	4 (B)	
SRL.48.76.16	445	515	432.5	725	795	712.5	7	8.5	4 (B)	
SRL.48.76.22	445	515	432.5	725	795	712.5	7	8.5	4 (B)	
SRL.60.60.26	565	670	552.5	565	635	552.5	7	8.5	4 (B)	
SRL.60.60.40	565	670	552.5	565	635	552.5	7	8.5	4 (B)	
SRX.80.80.30	765	870	752.5	765	835	752.5	7	8.5	6 (B)	
SRX.80.80.40	765	870	752.5	765	835	752.5	7	8.5	6 (B)	
SRX.90.60.30	865	970	852.5	565	635	552.5	7	8.5	6 (B)	
SRX.100.80.30	965	1070	952.5	765	835	752.5	7	8.5	6 (B)	
SRX.100.80.40	965	1070	952.5	765	835	752.5	7	8.5	6 (B)	
SRX.120.120.30	1165	1270	1152.5	1165	1235	1152.5	7	8.5	6 (B)	
SRX.120.120.40	1165	1270	1152.5	1165	1235	1152.5	7	8.5	6 (B)	
SRX.130.80.30	1265	1370	1252.5	765	835	752.5	7	8.5	6 (B)	
SRX.130.80.40	1265	1370	1252.5	765	835	752.5	7	8.5	6 (B)	

screws qty.: Quantity of screws for direct mounting  
(A) = fixed mounting brackets  
(B) = optional mounting brackets enclosed

### Terminal Configurations with Standard Terminals

Type	DIN-Rails vertical				DIN-Rails horizontal				Terminal type	Terminal capacity [mm <sup>2</sup> ]
	Number of rails	Usable length per rail [mm]	Terminals per rail	Terminals total	Number of rails	Usable length per rail [mm]	Terminals per rail	Terminals total		
SRS.10.11.09	1	34	6	6	-	-	-	-	WDU	2.5
SRS.11.14.09	-	-	-	-	1	75	14	14	WDU	2.5
SRS.11.18.09	1	140	27	27	-	-	-	-	WDU	2.5
SRS.11.22.09	1	140	27	27	-	-	-	-	WDU	2.5
SRS.15.15.09	1	110	21	21	1	110	21	21	WDU	2.5
SRS.15.19.09	1	110	21	21	1	150	29	29	WDU	2.5
SRS.19.19.10	1	150	29	29	1	150	29	29	WDU	2.5
SRM.19.38.16	3	110	21	63	1	300	58	58	WDU	2.5

Refer to "General Notes Relating to Pepperl+Fuchs Product Information".

Type	DIN-Rails vertical				DIN-Rails horizontal				Terminal type	Terminal capacity [mm <sup>2</sup> ]
	Number of rails	Usable length per rail [mm]	Terminals per rail	Terminals total	Number of rails	Usable length per rail [mm]	Terminals per rail	Terminals total		
SRM.23.30.16	2	150	29	58	1	220	43	43	WDU	2.5
SRM.26.26.09	2	180	35	70	2	180	35	70	WDU	2.5
SRM.26.26.16	2	180	35	70	2	180	35	70	WDU	2.5
SRM.26.26.22	2	180	35	70	2	180	35	70	WDU	2.5
SRM.31.31.09	2	230	45	90	2	230	45	90	WDU	2.5
SRM.31.31.16	2	230	45	90	2	230	45	90	WDU	2.5
SRM.31.31.22	2	230	45	90	2	230	45	90	WDU	2.5
SRM.38.38.16	3	300	58	174	3	300	58	174	WDU	2.5
SRM.38.38.22	3	300	58	174	3	300	58	174	WDU	2.5
SRM.38.48.09	4	300	58	232	3	400	78	234	WDU	2.5
SRM.38.48.16	4	300	58	232	3	400	78	234	WDU	2.5
SRM.38.48.22	4	300	58	232	3	400	78	234	WDU	2.5
SRL.38.76.16	6	300	58	348	3	680	133	399	WDU	2.5
SRL.40.60.22	5	320	62	310	3	520	101	303	WDU	2.5
SRL.48.48.16	4	400	78	312	4	400	78	312	WDU	2.5
SRL.48.48.22	4	400	78	312	4	400	78	312	WDU	2.5
SRL.48.76.16	6	400	78	468	4	680	133	532	WDU	2.5
SRL.48.76.22	6	400	78	468	4	680	133	532	WDU	2.5
SRL.60.60.26	5	520	101	505	5	520	101	505	WDU	2.5
SRL.60.60.40	5	520	101	505	5	520	101	505	WDU	2.5
SRX.80.80.30	6	720	141	846	6	720	141	846	WDU	2.5
SRX.80.80.40	6	720	141	846	6	720	141	846	WDU	2.5
SRX.90.60.30	5	820	160	800	7	520	101	707	WDU	2.5
SRX.100.80.30	6	920	160	960	8	720	141	1128	WDU	2.5
SRX.100.80.40	6	920	160	960	8	720	141	1128	WDU	2.5
SRX.120.120.30	10	1120	219	2190	10	1120	219	2190	WDU	2.5
SRX.120.120.40	10	1120	219	2190	10	1120	219	2190	WDU	2.5
SRX.130.80.30	6	1120	239	1434	10	720	141	1410	WDU	2.5
SRX.130.80.40	6	1120	239	1434	10	720	141	1410	WDU	2.5

For other terminal types and terminal capacities please contact Pepperl+Fuchs

**Cable Entries max. Quantity per Size**

Type	Cable entry area		Faces A and B				Faces C and D			
	Faces A and B [mm]	Faces C and D [mm]	M16	M20	M25	M32	M16	M20	M25	M32
SRS.10.11.09	100 x 60	86 x 60	4	3	2	1	2	1	1	-
SRS.11.14.09	126 x 60	100 x 60	5	4	2	1	4	3	2	1
SRS.11.18.09	166 x 60	100 x 60	4	3	2	1	9	7	3	2
SRS.11.22.09	206 x 60	100 x 60	4	3	2	1	12	9	5	3
SRS.15.15.09	140 x 65	140 x 65	8	6	3	2	7	5	3	2
SRS.15.19.09	180 x 65	140 x 65	10	8	5	3	7	5	3	2
SRS.19.19.10	180 x 75	180 x 75	13	8	7	3	13	7	6	2
SRM.19.38.16	320 x 128	130 x 128	42	34	23	11	14	11	7	3
SRM.23.30.16	240 x 128	170 x 128	28	24	15	7	17	12	7	5
SRM.26.26.09	210 x 55	210 x 55	7	6	5	4	7	5	5	3
SRM.26.26.16	210 x 88	160 x 88	26	20	14	6	26	20	14	6
SRM.26.26.22	210 x 148	160 x 148	45	31	21	8	45	31	21	7
SRM.31.31.09	260 x 55	260 x 55	8	6	5	5	8	6	5	4
SRM.31.31.16	300 x 128	250 x 128	34	26	17	7	34	26	17	7
SRM.31.31.22	300 x 188	250 x 188	58	39	26	12	58	39	26	12
SRM.38.38.16	370 x 128	320 x 128	42	34	23	11	42	34	23	11
SRM.38.38.22	370 x 188	320 x 188	72	49	36	16	72	49	36	15
SRM.38.48.09	420 x 55	320 x 55	10	7	6	8	9	7	6	6
SRM.38.48.16	420 x 128	320 x 128	54	45	27	13	42	34	23	11
SRM.38.48.22	420 x 188	320 x 188	101	72	48	21	72	49	36	16
SRL.38.76.16	700 x 128	320 x 128	42	34	23	11	96	76	49	24
SRL.40.60.22	540 x 188	340 x 188	77	55	37	17	135	91	66	27
SRL.48.48.16	470 x 128	420 x 128	54	45	27	13	54	45	27	13
SRL.48.48.22	470 x 188	420 x 188	101	72	48	21	101	72	48	21
SRL.48.76.16	700 x 128	420 x 128	96	76	49	25	54	45	27	13
SRL.48.76.22	700 x 188	420 x 188	169	120	82	37	101	72	48	21
SRL.60.60.26	590 x 228	540 x 228	135	92	66	29	135	92	66	29
SRL.60.60.40	590 x 368	540 x 368	185	126	90	39	185	126	90	39
SRX.80.80.30	790 x 268	740 x 268	183	128	90	38	183	128	90	38

Release date: 2025-11-12 Date of issue: 2025-11-12 Filename: t202985\_eng.pdf

Refer to "General Notes Relating to Pepperl+Fuchs Product Information".

Pepperl+Fuchs Group  
www.pepperl-fuchs.com

USA: +1 330 486 0002  
pa-info@us.pepperl-fuchs.com

Germany: +49 621 776 2222  
pa-info@de.pepperl-fuchs.com

Singapore: +65 6779 9091  
pa-info@sg.pepperl-fuchs.com



Type	Cable entry area		Faces A and B				Faces C and D			
	Faces A and B [mm]	Faces C and D [mm]	M16	M20	M25	M32	M16	M20	M25	M32
SRX.80.80.40	790 x 368	740 x 368	250	175	123	52	250	175	123	52
SRX.90.60.30	590 x 268	840 x 268	135	92	66	29	209	134	100	44
SRX.100.80.30	790 x 268	940 x 268	183	128	90	38	234	162	115	50
SRX.100.80.40	790 x 368	940 x 368	251	175	123	52	321	222	157	68
SRX.120.120.30	1190 x 268	1140 x 268	283	197	138	59	283	197	138	59
SRX.120.120.40	1190 x 368	1140 x 368	388	270	189	81	388	270	189	81
SRX.130.80.30	790 x 268	1240 x 268	183	128	90	38	311	213	148	64
SRX.130.80.40	790 x 368	1240 x 368	250	175	123	52	427	292	203	87

Cable gland standard type: polyamide Ex e cable glands

For other types of cable glands and combinations of different gland sizes please contact Pepperl+Fuchs

## Technical Data

### Electrical specifications

Operating voltage	1100 V AC / DC max. for ATEX / IECEx 1000 V AC / DC max. for North American approvals
Operating current	350 A max. , depending on size and certification

### Mechanical specifications

Enclosure cover	fully detachable
Cover fixing	Stainless steel A4 (V4A) combination pozi driv and slotted screw , optional quarter-turn key locks
Cover seal	silicone
Degree of protection	IP66 , Type 4X
Cable entry	see data table
Gland plate on face(s)	optional
Terminal assembly	
Number of rails	see data table
Terminal type	Standard see PDF datasheet, other terminal types optional
Number of terminals per rail	see data table
Material	
Enclosure	1.5 mm AISI 316L, (1.4404) stainless steel
Gland plate	optional 3 mm or 6 mm AISI 316L (1.4404) stainless steel
Finish	brushed
Mass	see data table valid for empty enclosure, will increase according to integrated components
Shock resistance	IK09, IK10
Dimensions	see data table
Mounting	screws , optional mounting brackets enclosed
Grounding	M6 internal/external brass nickel-plated grounding bolt M6 internal stainless steel grounding bolt welded to lid M6 internal stainless steel grounding bolt welded to enclosure body

### Ambient conditions

Ambient temperature	-60 ... 120 °C (-76 ... 248 °F) depending on integrated components
---------------------	--

### Data for application in connection with hazardous areas

EU-type examination certificate	CML 20 ATEX 3118U
Marking	⊕ II 2 GD Ex eb IIC Gb Ex tb IIIC Db

### International approvals

UL approval	
Approved for	Class I and II, Division 2 Class I, Zone 2, Class II, Zone 22
cULus	E499269
Ambient temperature	-25 ... 40 °C (-13 ... 104 °F)
IECEx approval	IECEx CML 20.0076U
UKCA approval	CML 21 UKEX 3423U

### Conformity

Degree of protection	EN60529 or UL 50 / UL50E / CSA 22.2 No. 94
----------------------	--

## Technical Data

Shock resistance	EN IEC 62262
<b>General information</b>	
Ordering information	This device will be delivered completely configured and assembled ready for use. For configuration details please contact Customer Service.
Supplementary information	EC-Type Examination Certificate, Statement of Conformity, Declaration of Conformity, Attestation of Conformity and instructions have to be observed where applicable. For information see <a href="http://www.pepperl-fuchs.com">www.pepperl-fuchs.com</a> .
<b>Accessories</b>	
Optional accessories	Mounting plate M6 internal/external stainless steel grounding bolt cover hinges stainless steel AISI 316L gland plate 3 mm AISI 316L (1.4404) stainless steel gland plate 6 mm AISI 316L (1.4404) stainless steel M6 internal stainless steel grounding bolt welded to bottom gland plate quarter-turn key locks stainless steel A4 (V4A) engraved traffolyte tag label engraved AISI 316L stainless steel tag label color in-fill stainless steel tag label cover padlock facility eyebolts door handles

## Type Code

1	2	3	4	5	6	7	8	9	10	11									
SR	*	.	***	.	**	.	**	.	**	.	*	.	*	.	**	.	**	.	*
SR	M	.	SB2	.	26	.	26	.	16	.	B	.	1	.	FS	.	HL	.	H

Example: SRM.SB2.26.26.16.B.1.FS.HL.H

Enclosure stainless steel, medium size 26x26x16 cm, landscape orientation with face B and one flange plate at bottom, cover screws, hinges left side, security hasp

<b>1</b>	<b>Enclosure type</b>
SR	stainless steel
<b>2</b>	<b>Enclosure size</b>
S	small
M	medium
L	large
X	extra large
<b>3</b>	<b>Material</b>
SB2	stainless steel AISI 316L, brushed, 1.5 mm thickness
<b>4</b>	<b>Height [cm]</b>
n	see dimensions data table
<b>5</b>	<b>Width [cm]</b>
n	see dimensions data table
<b>6</b>	<b>Depth [cm]</b>
n	see dimensions data table
<b>7</b>	<b>Cable entry face orientation</b>
B	face [B] at bottom
D	face [D] at bottom
<b>8</b>	<b>Gland plates</b>
0	none
1	one gland plate at bottom face
2	two gland plates, top and bottom face each
3	three gland plates, bottom, left and right face each
4	four gland plates
<b>9</b>	<b>Cover fixing</b>
FS	fixing screws
KL	quarter turn key locks
<b>10</b>	<b>Hinges</b>
HX	no hinges
HL	hinges on left side

Release date: 2025-11-12 Date of issue: 2025-11-12 Filename: t202985\_eng.pdf

Refer to "General Notes Relating to Pepperl+Fuchs Product Information".

Pepperl+Fuchs Group  
www.pepperl-fuchs.com

USA: +1 330 486 0002  
pa-info@us.pepperl-fuchs.com

Germany: +49 621 776 2222  
pa-info@de.pepperl-fuchs.com

Singapore: +65 6779 9091  
pa-info@sg.pepperl-fuchs.com

 **PEPPERL+FUCHS**

**Type Code**

<b>10</b>	
HR	Hinges hinges on right side
<b>11</b>	
	Security hasp no hasp
H	hasp opposite of hinges