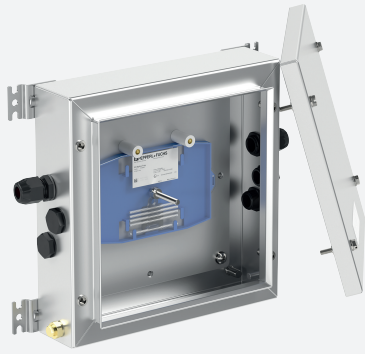


FO Splice Boxes in Stainless Steel with Return Flange

SR.TFO.*



- Safe protection of fiber optic cable splices in hazardous areas
- Installation in Zone 1, Zone 2, Zone 21 and Zone 22
- Ex op pr and Ex tb certified
- Stainless Steel enclosure
- Up to 8 splice trays, 12 fusion-type splices per tray
- Wide range of cable glands and stopping plugs
- Return Flange Sealing provides Drain Channel

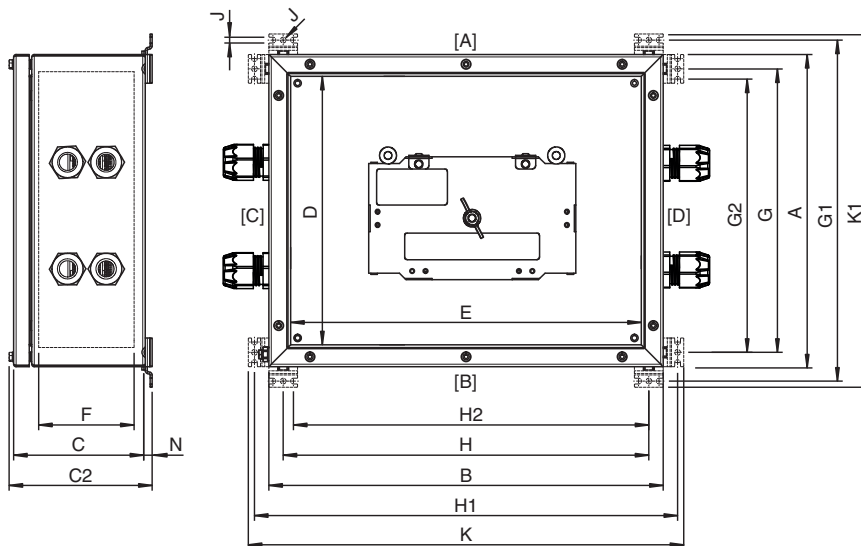
FO Splice Boxes in Stainless Steel with Return Flange



Function

The SR.TFO.* series is a range of fiber optic splice boxes designed for protection of optical fiber cable splices in hazardous areas. Up to 8 splice trays are installed inside the sturdy stainless steel enclosure. The splice trays are according to DIN 47662 and Telecom standards, each tray can hold up to 12 fusion-type splices and can be optionally equipped with strain reliefs as required. The enclosures are manufactured from brushed AISI 316L stainless steel which provides excellent tarnish and corrosion resistance. All enclosures feature a 45° return flange sealing method which channels water away from the seal area and also prevents accumulated dirt and dust from entering the enclosure when the cover is opened. Durable materials allow the splice box to be used in ambient temperatures between -50 °C and +55 °C. Fiber optic splice boxes are available in further enclosure materials such as GRP.

Dimensions



Dimension values see data table.
Image and drawing are generic for this device type and may deviate from the specific variant.

Dimensions and Enclosure Details

Release date: 2023-09-26 Date of issue: 2023-09-26 Filename: t202987_eng.pdf

Refer to "General Notes Relating to Pepperl+Fuchs Product Information".

Pepperl+Fuchs Group
www.pepperl-fuchs.com

USA: +1 330 486 0002
pa-info@us.pepperl-fuchs.com

Germany: +49 621 776 2222
pa-info@de.pepperl-fuchs.com

Singapore: +65 6779 9091
pa-info@sg.pepperl-fuchs.com

PF PEPPERL+FUCHS

Type	External dimensions [mm]						Internal dimensions [mm]			Cover screws		
	A	B	C	C2	K	K1	D	E	F	Mx	qty.	Torque [Nm]
SR.TFO.26.26.09.B.*	260	260	87	101	310	310	206	206	51.5	M6	4	3 - 3.5
SR.TFO.26.26.16.B.*	260	260	160	174	310	310	206	206	124.5	M6	4	3 - 3.5
SR.TFO.31.31.09.B.*	310	310	87	101	360	360	256	256	51.5	M6	4	3 - 3.5
SR.TFO.31.31.16.B.*	310	310	160	174	360	360	256	256	124.5	M6	4	3 - 3.5

Values might differ slightly due to manufacturing tolerances

Mounting Dimensions and Details

Type	Mounting [mm]									
	G	G1	G2	H	H1	H2	J	N	screws qty.	
SR.TFO.26.26.09.B.*	225	295	212.5	225	295	212.5	7	8.5	4 (B)	
SR.TFO.26.26.16.B.*	225	295	212.5	225	295	212.5	7	8.5	4 (B)	
SR.TFO.31.31.09.B.*	275	345	262.5	275	345	262.5	7	8.5	4 (B)	
SR.TFO.31.31.16.B.*	275	345	262.5	275	345	262.5	7	8.5	4 (B)	

screws qty.: Quantity of screws for direct mounting, (B) = optional mounting brackets enclosed

Cable Entries, Solutions without External Strain Reliefs

Type	Splice trays qty.	Mass approx. [kg]	qty.	Cable entries faces C and D					
				Cable glands			Stopping plugs		
				qty.	Type	Clamping range [mm]	qty.	Type	
SR.TFO.26.26.09.B.0-S0001	1	5.4	3	1	CG.PEDS1.M20.*	6 ... 12	2	SP.PE.M20.*	
SR.TFO.26.26.09.B.0-S0002	2	5.4	3	2	CG.PEDS1.M20.*	6 ... 12	1	SP.PE.M20.*	
SR.TFO.26.26.09.B.0-S0003	3	5.5	3	3	CG.PEDS1.M20.*	6 ... 12	-	-	
SR.TFO.26.26.16.B.0-S0004	4	6.1	8	4	CG.PEDS1.M20.*	6 ... 12	4	SP.PE.M20.*	
SR.TFO.26.26.16.B.0-S0005	5	6.1	8	5	CG.PEDS1.M20.*	6 ... 12	3	SP.PE.M20.*	
SR.TFO.26.26.16.B.0-S0006	6	6.2	8	6	CG.PEDS1.M20.*	6 ... 12	2	SP.PE.M20.*	
SR.TFO.26.26.16.B.0-S0007	7	6.2	8	7	CG.PEDS1.M20.*	6 ... 12	1	SP.PE.M20.*	
SR.TFO.26.26.16.B.0-S0008	8	6.3	8	8	CG.PEDS1.M20.*	6 ... 12	-	-	

Mass is valid for basic enclosure, it will increase according to enclosure accessories, integrated components and entry devices

Cable glands and stopping plugs standard types: polyamide Ex e cable glands

For other types of cable glands and combinations of different gland sizes please contact Pepperl+Fuchs

Cable Entries, Solutions with External Strain Reliefs

Type	Splice trays qty.	Mass approx. [kg]	qty.	Cable entries faces C and D					
				Cable glands			Stopping plugs		
				qty.	Type	Clamping range [mm]	qty.	Type	
SR.TFO.31.31.09.B.0-S0001	1	7.5	3	3	CG.PEDS1.M20.* CG.PEDS1.M25.*	6 ... 12 9 ... 17	-	-	
SR.TFO.31.31.09.B.0-S0002	2	7.6	3	3	CG.PEDS1.M20.* CG.PEDS1.M25.*	6 ... 12 9 ... 17	-	-	
SR.TFO.31.31.09.B.0-S0003	3	7.6	3	3	CG.PEDS1.M20.* CG.PEDS1.M25.*	6 ... 12 9 ... 17	-	-	
SR.TFO.31.31.16.B.0-S0004	4	8.5	6	4	CG.PEDS1.M25.*	9 ... 17	6 2	SP.PE.M20.* SP.PE.M25.*	
SR.TFO.31.31.16.B.0-S0005	5	8.6	6	5	CG.PEDS1.M25.*	9 ... 17	6 1	SP.PE.M20.* SP.PE.M25.*	
SR.TFO.31.31.16.B.0-S0006	6	8.6	6	6	CG.PEDS1.M25.*	9 ... 17	6	SP.PE.M20.*	
SR.TFO.31.31.16.B.0-S0007	7	8.7	8	7	CG.PEDS1.M25.*	9 ... 17	1	SP.PE.M25.*	
SR.TFO.31.31.16.B.0-S0008	8	8.7	8	8	CG.PEDS1.M25.*	9 ... 17	-	-	

Mass is valid for basic enclosure, it will increase according to enclosure accessories, integrated components and entry devices

Cable glands and stopping plugs standard types: polyamide Ex e cable glands

For other types of cable glands and combinations of different gland sizes please contact Pepperl+Fuchs

Technical Data

Mechanical specifications

Enclosure cover	fully detachable
Cover fixing	stainless steel A4 (V4A) hexagonal head screws
Screws	M6
Number	4
Tightening torque	3 Nm - 3.5 Nm
Cover seal	silicone

Technical Data

Degree of protection	IP66
Cable entry	thru-holes direct through body
Gland plate on face(s)	optional
Material	
Enclosure	1.5 mm AISI 316L, (1.4404) stainless steel
Gland plate	optional 3 mm or 6 mm AISI 316L (1.4404) stainless steel
Finish	brushed
Mass	see data table
Dimensions	see data table
Mounting	4 Mounting bracket for wall mounting included in the scope of delivery
Grounding	M6 internal/external brass nickel-plated grounding bolt M6 internal stainless steel grounding bolt welded to lid M6 internal stainless steel grounding bolt welded to enclosure body
Fiber optic splice tray	
Number	see data table
Dimensions	142 mm x 92 mm x 8 mm
Quantity of splice connections per tray	12
Type of splices	fusion with 60 mm heatshrink protectors
Fiber optic splicing protection holders per tray	2 for heatshrink splice protectors 60 mm, 6 splices each
Fiber optic strain relief per tray	optional 2 each for 12 fibers with 0.9 mm or 1.1 mm insulation
Fiber optic cables min. bending radius	35 mm
Fiber optic cables frequency range	10 ... 10000 MHz
Standards	DIN 47662 and Telecom standards
Ambient conditions	
Ambient temperature	-40 ... 55 °C (-40 ... 131 °F) -50 °C (-58 °F) on request
Data for application in connection with hazardous areas	
EU-type examination certificate	CML 20 ATEX 3156X BASEEFA 14 ATEX 0368U
Marking	⊕ II 2 GD Ex op pr IIC T* Gb Ex tb IIIC T** °C Db T5/T95 °C @ Ta +55 °C T6/T80 °C @ Ta +40 °C
International approvals	
IECEx approval	IECEx CML 20.0094X IECEx BAS 14.0169U
UKCA approval	CML 21 UKEX 3892X
Further approvals	further on request
Conformity	
Degree of protection	EN60529
CE marking	0102
UKCA marking	2503
General information	
Supplementary information	EC-Type Examination Certificate, Statement of Conformity, Declaration of Conformity, Attestation of Conformity and instructions have to be observed where applicable. For information see www.pepperl-fuchs.com .

Type Code

1	2	3	4	5	6	7	8	9
SR	***	**	**	**	*	*	*	****
SR	TFO	26	26	09	B	0	S	0002

Example: SR.TFO.26.426.09.B.0-S0002

FO splice box stainless steel, size 26x26x9 cm, landscape orientation with face B at bottom, no gland plate, two splice trays

1	Enclosure type
SR	stainless steel

Type Code

2	Type of solution
TFO	fiber optice splice box (Ex op pr)
3	Height [cm]
n	see dimensions data table
4	Width [cm]
n	see dimensions data table
5	Depth [cm]
n	see dimensions data table
6	Cable entry face orientation
B	landscape, face [B] at bottom
D	portrait, face [D] at bottom
7	Gland plates
0	none
1	one gland plate at bottom face
8	Variant
S	standard product
C	configured product
Y	engineered product
9	Variant number
xxxx	consecutive item number