



Incremental rotary encoder

20-2951

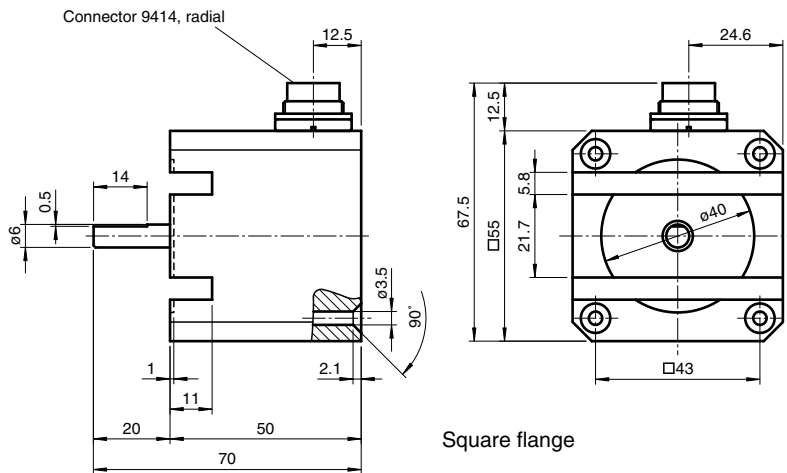
- Sturdy and compact design
- Up to 2500 ppr
- Rectangular design
- 10 V ... 30 V with short-circuit proof push-pull output



Function

The cuboid housing of this incremental rotary encoder is suitable for easy fastening onto mounting profiles or comparable types of construction. Four through holes and two grooves in the housing allow a wide range of installation possibilities. The diecast zinc housing gives the incremental rotary encoder the sturdiness it needs. The pulse disk is designed in plastic up to 600 pulses. Beyond that, glass is used.

Dimensions



Technical Data

General specifications			
Pulse count			max. 2500
Electrical specifications			
Operating voltage	U_B	10 ... 30 V DC	
No-load supply current	I_0	max. 80 mA	
Output			
Output type			push-pull, incremental
Voltage drop	U_d	< 4 V	
Load current			max. per channel 40 mA , short-circuit protected, reverse polarity protected
Output frequency			max. 160 kHz
Rise time			250 ns
De-energized delay	t_{off}	250 ns	

Release date: 2024-11-22 Date of issue: 2024-11-22 Filename: t20476_eng.pdf

Refer to "General Notes Relating to Pepperl+Fuchs Product Information".

Pepperl+Fuchs Group
www.pepperl-fuchs.com

USA: +1 330 486 0001
fa-info@us.pepperl-fuchs.com

Germany: +49 621 776 1111
fa-info@de.pepperl-fuchs.com

Singapore: +65 6779 9091
fa-info@sg.pepperl-fuchs.com

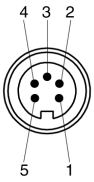
PEPPERL+FUCHS

Technical Data

Connection		
Connector		type 9414 (M16), 5-pin
Standard conformity		
Degree of protection		DIN EN 60529, IP40
Emitted interference		EN 61000-6-4:2007/A1:2011
Noise immunity		EN 61000-6-2:2005
Approvals and certificates		
UL approval		cULus Listed, General Purpose, Class 2 Power Source
Ambient conditions		
Operating temperature		
Plastic disk		-20 ... 60 °C (-4 ... 140 °F)
Storage temperature		
Plastic disk		-40 ... 60 °C (-40 ... 140 °F)
Mechanical specifications		
Material		
Housing		powder coated diecast zinc
Flange		powder coated diecast zinc
Shaft		Stainless steel 1.4305 / AISI 303
Mass		approx. 480 g
Rotational speed		max. 3000 min ⁻¹
Moment of inertia		≤ 5 gcm ²
Starting torque		< 0.5 Ncm
Shaft load		
Axial		10 N
Radial		10 N

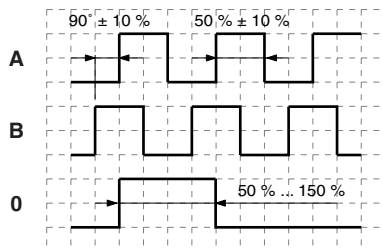
Connection

Signal	Connector 9414, 5-pin
GND	1
+U _b	2
A	3
B	4
0	5



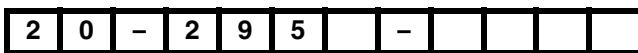
Characteristic Curve

Signal outputs



↻ cw - with view onto the shaft

Type Code



Pulse count 30, 60, 90, 100, 180, 200, 250, 300, 314, 360, 400, 500, 600, 720, 900, 1000, 1024, 1200, 1250, 1500, 1800, 2000, 2048, 2400, 2500

Output switching

- 1 10 V ... 30 V, push-pull
- 2 5 V, RS 422

Release date: 2024-11-22 Date of issue: 2024-11-22 Filename: t20476_eng.pdf