



## 7500-01 Control Unit Mounting Brackets

### 7500-ACC-BKT-\*

- Angle bracket for mounting the 7500-01 control unit with or without 5500-MAN manifold to the enclosure
- Includes mounting bolts, nuts, and sealing washer for Type 4X degree of protection
- 316 stainless steel
- One bracket for top, bottom, side mounting option

The 7500-ACC-BKT bracket provides easy installation of the 7500-01 control unit to an enclosure, with or without 5500-MAN manifold (not included).

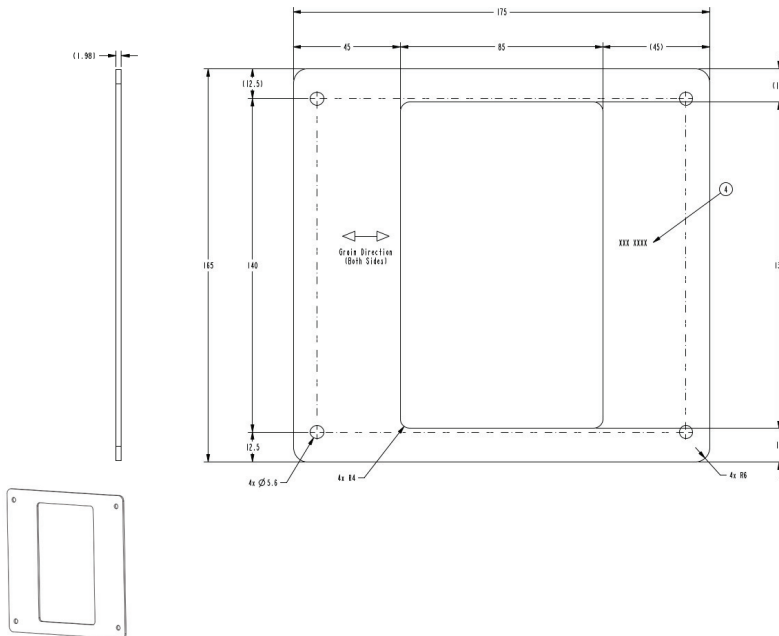


### Function

The 7500-ACC-BKT-... is designed to mount the 7500-01 control unit (with or without an optional 5500-MAN manifold) to the side, top, or bottom of an enclosure, making the control unit visible when viewed directly from the front. The bracket comes with mounting bolts, nuts, and Type 4X/IP66 washers for easy installation. The bracket can be ordered as a standalone mounting device for the 7500-01 control unit or as a mounting solution for the 7500-01 control unit with the 5500-MAN-CD01, 5500-MAN-EX01, or 5500-MAN-CDUL-01 manifold installed. Control unit and manifold are not included.

### Dimensions

#### 7500-ACC Panel without Manifold Mount



Release date: 2024-03-05 Date of issue: 2024-03-05 Filename: t217785\_eng.pdf

Refer to "General Notes Relating to Pepperl+Fuchs Product Information".

Pepperl+Fuchs Group  
www.pepperl-fuchs.com

USA: +1 330 486 0002  
pa-info@us.pepperl-fuchs.com

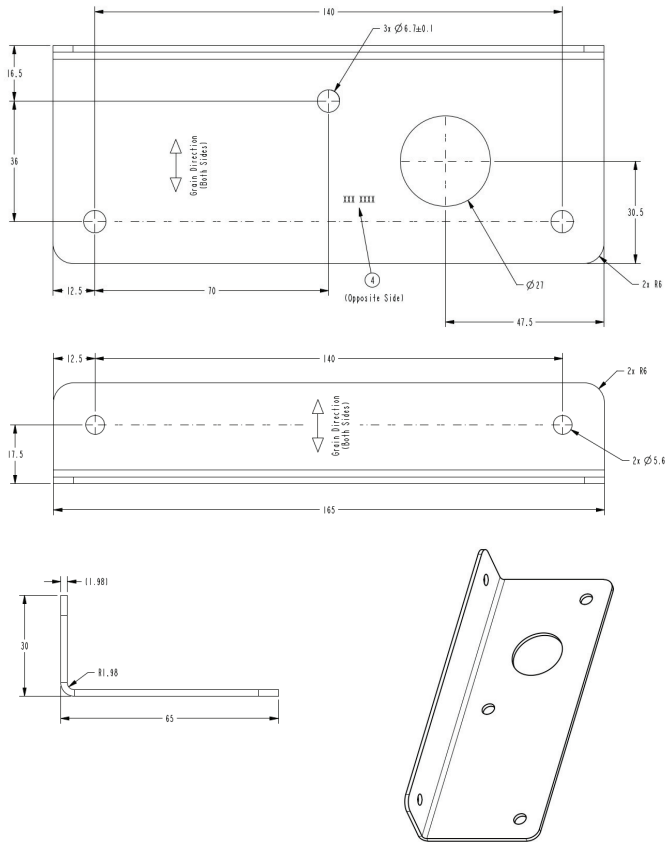
Germany: +49 621 776 2222  
pa-info@de.pepperl-fuchs.com

Singapore: +65 6779 9091  
pa-info@sg.pepperl-fuchs.com

PEPPERL+FUCHS

**Dimensions**

**7500-ACC Mounting Bracket  
(For use without manifold mount)**



Release date: 2024-03-05 Date of issue: 2024-03-05 Filename: t217785\_eng.pdf

Refer to "General Notes Relating to Pepperl+Fuchs Product Information".

Pepperl+Fuchs Group  
www.pepperl-fuchs.com

USA: +1 330 486 0002  
pa-info@us.pepperl-fuchs.com

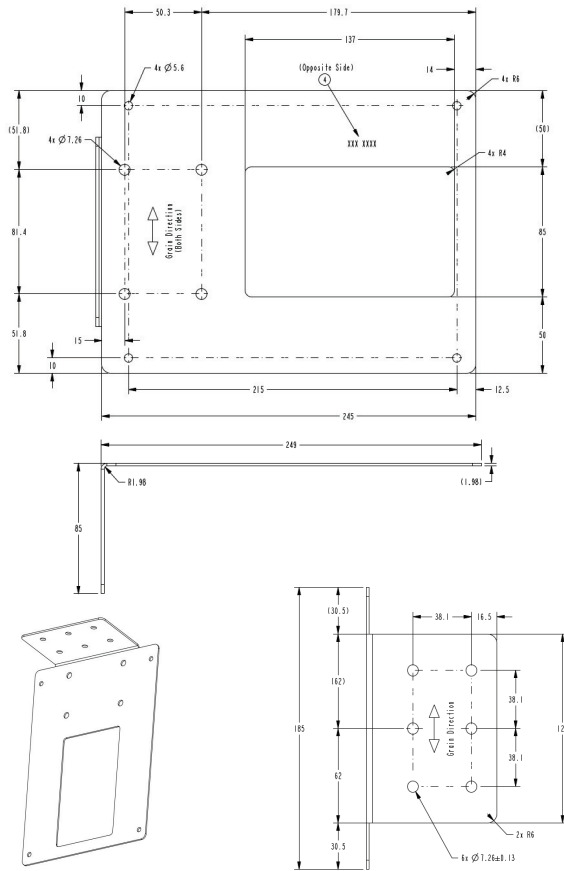
Germany: +49 621 776 2222  
pa-info@de.pepperl-fuchs.com

Singapore: +65 6779 9091  
pa-info@sg.pepperl-fuchs.com

**PF PEPPERL+FUCHS**

**Dimensions**

**7500-ACC Panel with Manifold Mount**



Release date: 2024-03-05 Date of issue: 2024-03-05 Filename: t217785\_eng.pdf

Refer to "General Notes Relating to Pepperl+Fuchs Product Information".

Pepperl+Fuchs Group  
www.pepperl-fuchs.com

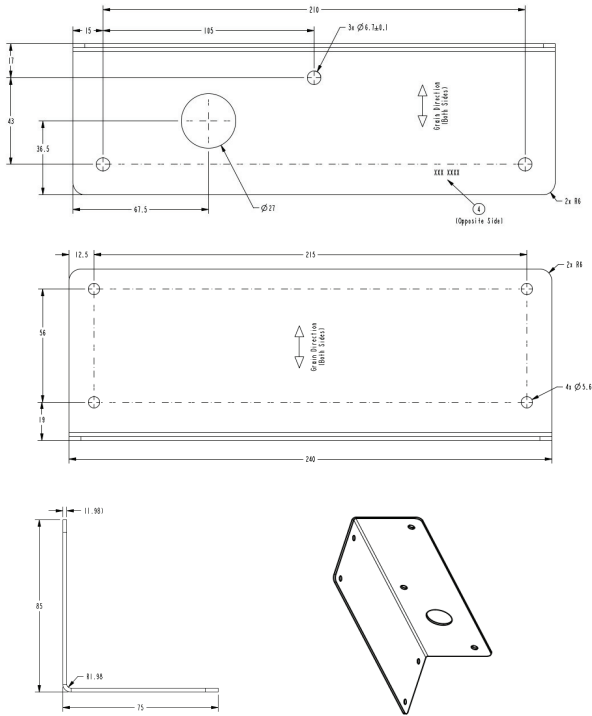
USA: +1 330 486 0002  
pa-info@us.pepperl-fuchs.com

Germany: +49 621 776 2222  
pa-info@de.pepperl-fuchs.com

Singapore: +65 6779 9091  
pa-info@sg.pepperl-fuchs.com

**Dimensions**

**5500-ACC Mounting Bracket**  
(For use with and without manifold mount)



**Technical Data**

<b>General specifications</b>	
Operating mode	For mounting 7500 control unit to enclosure or back panel
Series	7500
System	Type Z Purge ; Ex pzc Purge
Hazardous environment	gas or dust
<b>Mechanical specifications</b>	
Degree of protection	Mounting type 4X / IP66 (Seeloc washers)
Material	<b>Bracket:</b> 316 stainless steel <b>Panel:</b> 316 stainless steel Hardware, panel-to-enclosure (Bag 1) <b>Bolts (3):</b> 304 stainless steel <b>Washers (3):</b> Seeloc by APM Hexseal (P/N 75082 Buna-N) <b>Nut:</b> 304 stainless steel Hardware, bracket-to-panel (Bag 2) <b>Bolts (2):</b> 304 stainless steel <b>Washers (2):</b> Hard fiber <b>Nuts (2):</b> 304 stainless steel
Mass	<b>7500-ACC-BKT-NM</b> 0.6 kg <b>7500-ACC-BKT-YM</b> 1.3 kg
Dimensions	For <b>bracket dimensions</b> , see dimension drawing. Hardware, panel-to-enclosure (Bag 1) <b>Bolts (3):</b> ¼ x 20 x ¾" <b>Washers (3):</b> 1" (OD); 9.53mm (hole diameter) <b>Nut:</b> ¼" Hardware, bracket-to-panel (Bag 2) <b>Bolts (2):</b> 5mm x 12mm button socket <b>Washers (2):</b> No 8 <b>Nut (2):</b> 5mm nyloc nut
<b>General information</b>	

Release date: 2024-03-05 Date of issue: 2024-03-05 Filename: 1217785\_eng.pdf

Refer to "General Notes Relating to Pepperl+Fuchs Product Information".

## Technical Data

Scope of delivery

One (1) each bracket and panel with mounting hardware included (Control unit and optional manifold are sold separately.)

Release date: 2024-03-05 Date of issue: 2024-03-05 Filename: t217785\_eng.pdf

Refer to "General Notes Relating to Pepperl+Fuchs Product Information".

Pepperl+Fuchs Group  
www.pepperl-fuchs.com

USA: +1 330 486 0002  
pa-info@us.pepperl-fuchs.com

Germany: +49 621 776 2222  
pa-info@de.pepperl-fuchs.com

Singapore: +65 6779 9091  
pa-info@sg.pepperl-fuchs.com

 **PEPPERL+FUCHS**

## Type Code

### Structure of the type code

(1)	-	(2)	-	(3)	-	(4)
-----	---	-----	---	-----	---	-----

<b>1</b>	<b>Purge Series</b>
7500	7500 Series

<b>2</b>	<b>Device type</b>
ACC	Accessory

<b>3</b>	<b>Accessory type</b>
BKT	Bracket only

<b>4</b>	<b>Bracket type</b>
NM	No manifold mounting option
YM	Yes manifold mounting option