



Accessories

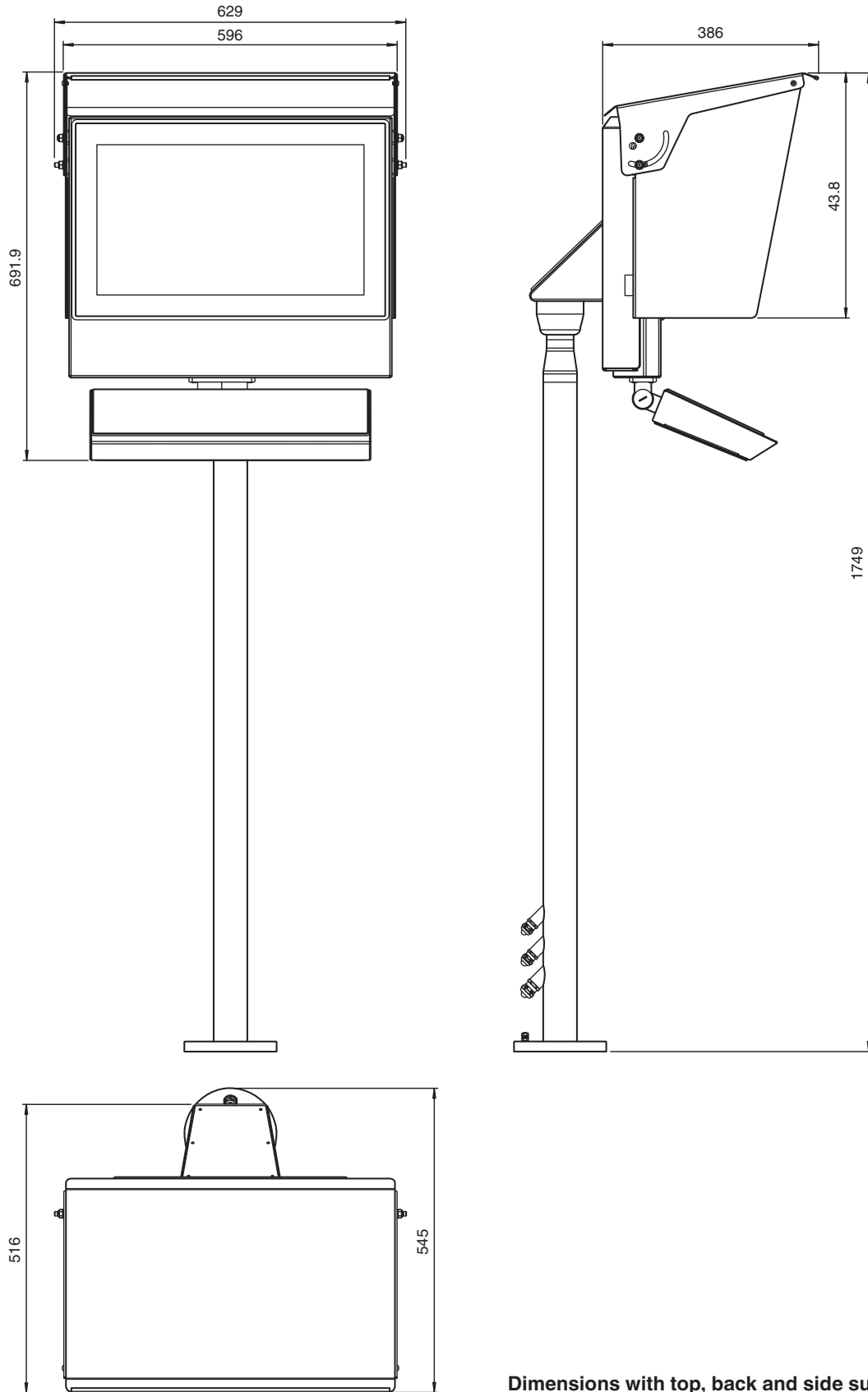
VisuNet FLX

Sun Shields for VisuNet FLX for
Extended Temperature Range

Product Versions

Model number	Part number
KIT-SUNSHIELD-3200-TOP-A1-N0	70171176
KIT-SUNSHIELD-3200-SIDES-A1-N0	70171177
KIT-SUNSHIELD-3200-BACK-A1-N0	70171178

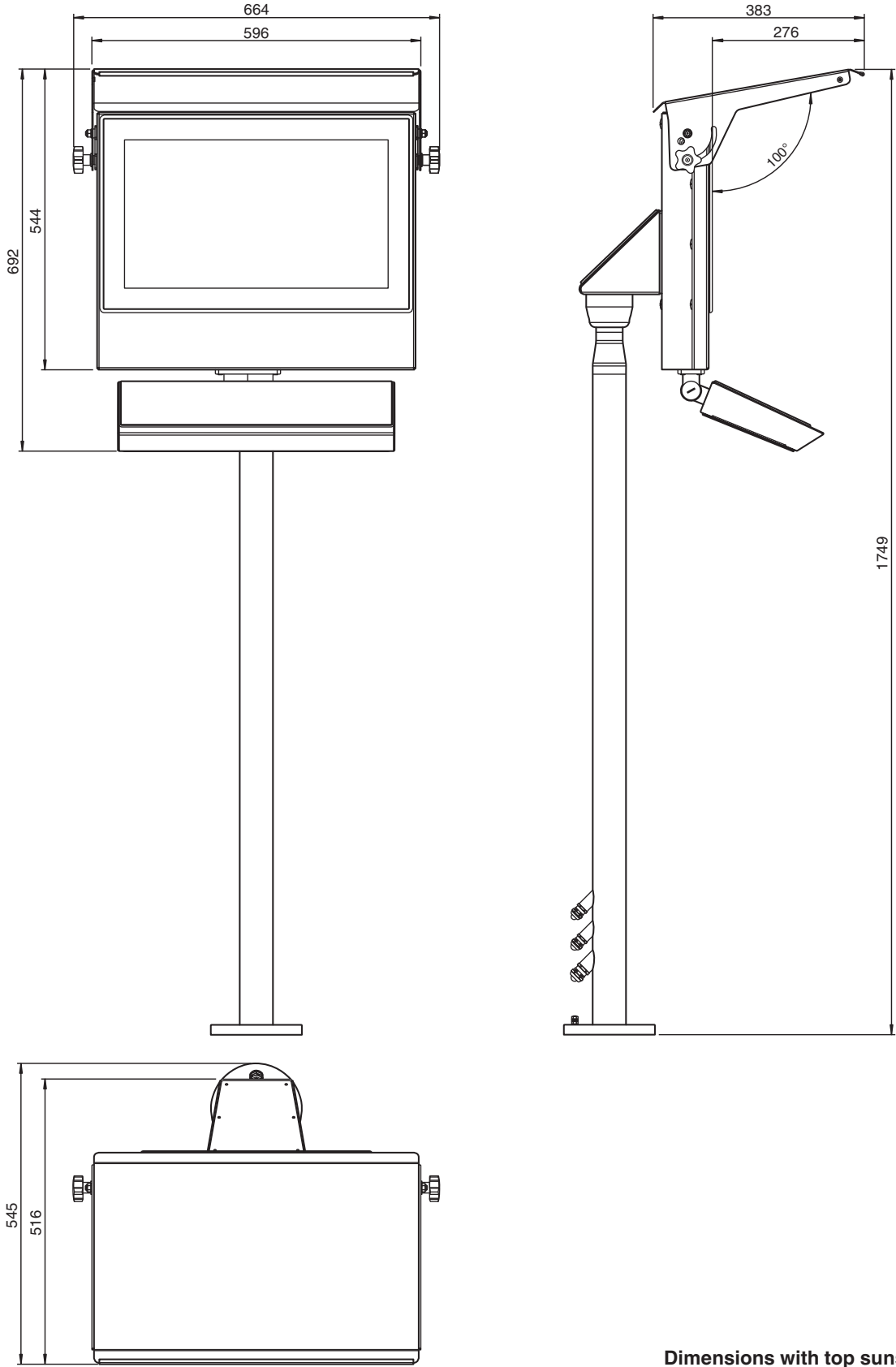
Dimensions



Dimensions with top, back and side sunshields

Release date: 2023-11-02 Date of issue: 2023-11-02 Filename: t218127_eng.pdf

Dimensions



Dimensions with top sunshield

Technical Data

Mechanical specifications

Release date: 2023-11-02 Date of issue: 2023-11-02 Filename: t218127_eng.pdf

Refer to "General Notes Relating to Pepperl+Fuchs Product Information".

Pepperl+Fuchs Group
www.pepperl-fuchs.com

USA: +1 330 486 0002
pa-info@us.pepperl-fuchs.com

Germany: +49 621 776 2222
pa-info@de.pepperl-fuchs.com

Singapore: +65 6779 9091
pa-info@sg.pepperl-fuchs.com

Accessories

Technical Data

Material	Powder-coated marine-grade aluminum alloy (EN AW-5754)
Mass	Top shield: 1.6 kg Side shield: 1.4 kg

Release date: 2023-11-02 Date of issue: 2023-11-02 Filename: t218127_eng.pdf

Refer to "General Notes Relating to Pepperl+Fuchs Product Information".

Pepperl+Fuchs Group
www.pepperl-fuchs.com

USA: +1 330 486 0002
pa-info@us.pepperl-fuchs.com

Germany: +49 621 776 2222
pa-info@de.pepperl-fuchs.com

Singapore: +65 6779 9091
pa-info@sg.pepperl-fuchs.com

 **PEPPERL+FUCHS**