



Wireless Access Point (Ex d)

EJB10A.I.CP-Y*

- Copper-free aluminum enclosure
- Installation in Zone 1, Zone 2, Zone 21 and Zone 22
- Suitable for operation in Class I, II Division 1
- Ex d and Ex tb certified
- Gas group IIB+H₂
- Use of industrial Wireless Access Points in hazardous areas
- External antennas for best possible signal dispersion
- Customizable configuration of WI-FI and network devices and cable entries as per specification
- Degree of protection IP66 or IP66 / IP67, NEMA Type 4X
- Image and drawing are generic for this device type and may deviate from the specific variant

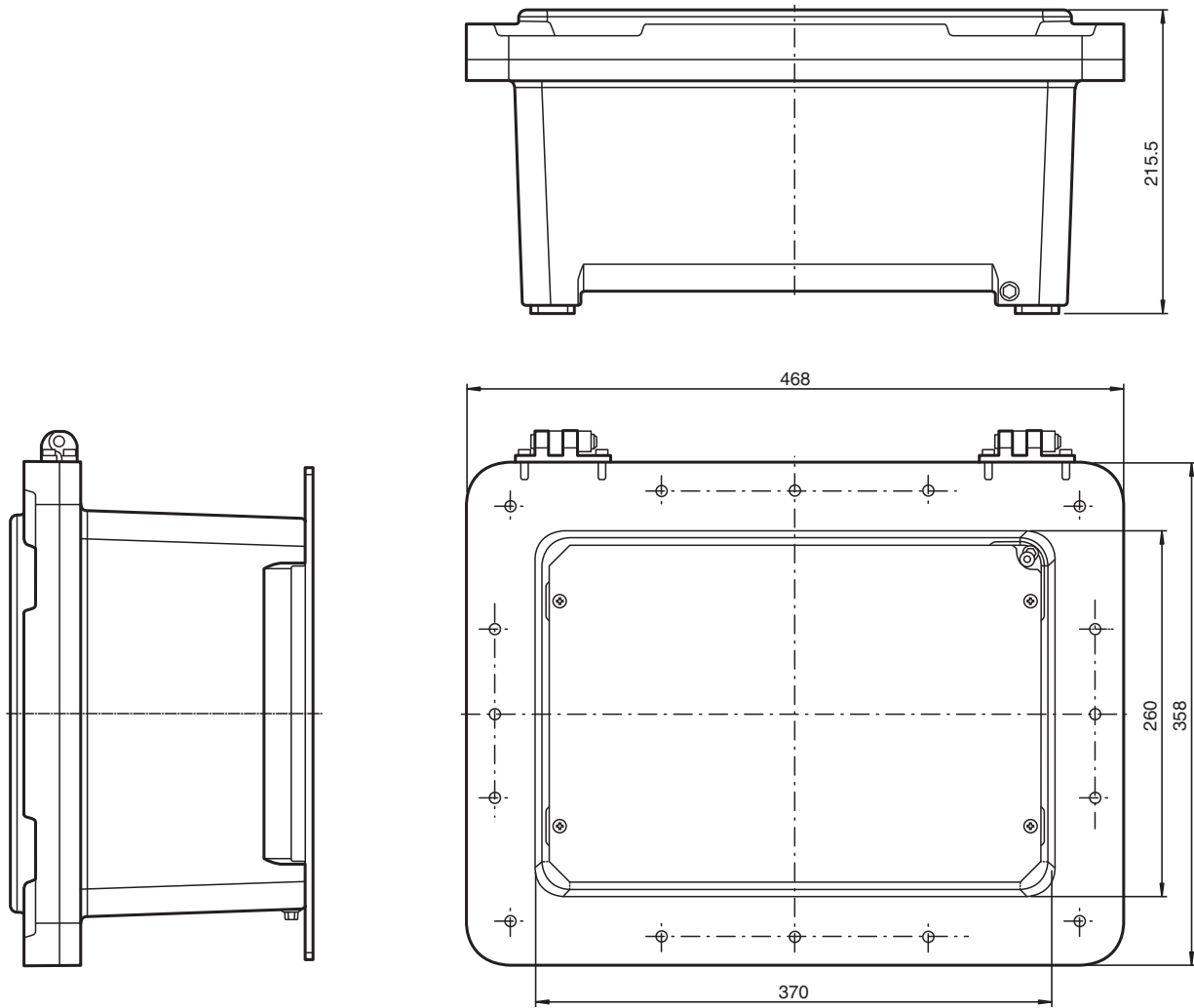
Wireless Access Point in copper-free aluminum enclosure for use in explosion-hazardous areas



Function

Based on a copper-free aluminum enclosure, this Wireless Access Point solution is specifically designed for installation in hazardous areas including Zone 1, Zone 2, Zone 21, Zone 22 and Class I Division 1 environments. The system allows the use of industrial Wireless Access Points in hazardous areas, ensuring seamless connectivity while maintaining safety standards. In addition to the Wireless Access Point, the solution also includes a patch panel to quickly connect the Wireless Access Point to the company's own network. Pepperl+Fuchs solution engineering teams offer many size and design options for the Ex d IIB+H₂ and Ex tb certified flameproof enclosures with any custom configuration including WIFI and network devices and cable entries to meet various requirements. Explosion-proof antennas are mounted on the enclosure to ensure the best possible distribution of radio frequency signals.

Dimensions



Technical Data

| Electrical specifications | |
|---------------------------|--|
| Operating voltage | 1500 V DC / 1000 V AC max. for ATEX / IECEx 600 V AC / DC max. for North American approvals |
| Operating current | 1600 A max. |
| Mechanical specifications | |
| Thread type | metric ISO pitch 1.5 mm or NPT ANSI ASME B1.20.1 |
| Enclosure cover | detachable , optional hinges |
| Cover fixing | stainless steel socket cap head screws |
| Screws | see datasheets of relevant enclosures |
| Material of screws | stainless steel |
| Yield stress | min. 450 N/mm ² for ATEX / IECEx , 100,000 PSI for North American approvals |
| Cover seal | none, O-ring for IP66/67 |
| Flamepath grease | Greasil MS4 or NEVER SEEZ Marine Grade |
| Degree of protection | IP66 (IP66/IP67 with O-ring) , NEMA Type 4, 4X, 7, 9 |
| Material | |
| Enclosure | aluminum alloy |
| Glass | thermo-resistant tempered glass |
| Finish | epoxy coated RAL 7005 (grey) |
| O-Ring | silicone |
| Mass | 25.1 kg |

Release date: 2024-09-26 Date of issue: 2024-09-26 Filename: t221410_eng.pdf

Refer to "General Notes Relating to Pepperl+Fuchs Product Information".

Pepperl+Fuchs Group
www.pepperl-fuchs.com

USA: +1 330 486 0002
pa-info@us.pepperl-fuchs.com

Germany: +49 621 776 2222
pa-info@de.pepperl-fuchs.com

Singapore: +65 6779 9091
pa-info@sg.pepperl-fuchs.com

 PEPPERL+FUCHS

Technical Data

| | |
|--|--|
| Dimensions | 468 mm x 358 mm x 215 mm values might differ slightly due to casting and manufacturing tolerances |
| Mounting | see datasheets of relevant enclosures |
| Grounding | M6 external grounding points |
| Ambient conditions | |
| Ambient temperature | -40 ... 50 °C (-40 ... 122 °F) depending on integrated components |
| Data for application in connection with hazardous areas | |
| EU-type examination certificate | INERIS 14 ATEX 0022X |
| Marking | ⊕ II 2 GD Ex db IIB+H ₂ T* Gb Ex tb IIIC T** °C Db T6/T85 °C T5/T100 °C T4/T135 °C T3/T200 °C depending on configuration, ambient temperature and built-in power loss |
| Maximum power dissipation | see datasheets of relevant enclosures maximum power dissipation at T4/+40 °C enclosure without window |
| International approvals | |
| UL approval | |
| Approved for | Class I, Division 1, Groups B, C, D Class II, Division 1, Groups E, F, G Type 4, 4X, 7, 9 |
| cULus | Empty enclosure E482035 , UL 50E , UL 1203 , CSA C22.2, No. 25, 30 |
| cETLus | Control panels E5003368 |
| Ambient temperature | -25 ... 60 °C (-13 ... 140 °F) |
| IECEX approval | IECEX INE 14.0029X |
| Further approvals | available on request |
| Conformity | |
| Degree of protection | EN60529 and UL 50 / UL 50E |
| CE marking | 0080 or 0102, see type label |
| General information | |
| Ordering information | This Wireless Access Point solution will be delivered completely configured and assembled ready for use. For configuration details please contact customer service. |
| Supplementary information | EC-Type Examination Certificate, Statement of Conformity, Declaration of Conformity, Attestation of Conformity and instructions have to be observed where applicable. For information see www.pepperl-fuchs.com . |
| General specifications | |
| Installed components | All major WI-FI Access Point vendors such as Aruba, Cisco, ect. |

Type Code

| 1 | 2 | 3 | 4 | 5 | 6 | 7 | 8 |
|-----|---|-----|---|---|---|---|----|
| EJB | * | * | . | * | . | * | * |
| EJB | | 10A | . | . | I | . | CP |

Example: EJB10A.I.CP-Y0001

Control panel EJB size 10A in aluminum, intrinsically safe circuits integrated

| | |
|-----------|---|
| 1 | Enclosure type |
| EJB | enclosure Ex d IIB+H ₂ |
| 2 | Material |
| | copper-free aluminum |
| 3 | Enclosure size |
| 0 ... 20A | see datasheets of relevant enclosures |
| 4 | Window |
| | no window |
| W ... | rectangular window with type indication |
| WG ... | circular window with type indication |

Type Code

| 5 | Electrical circuits |
|----|--|
| D | without intrinsically safe circuits |
| I | intrinsically safe circuits integrated |
| 6 | Type of application |
| CP | control panel |
| 7 | Variant |
| S | standard product |
| C | configured Product |
| Y | engineered Product |
| 8 | Variant number |
| * | consecutive number |