



Wireless Access Point (Ex d)

GUB3L.I.CP-Y*

- Aluminum alloy
- Installation in Zone 1, Zone 2, Zone 21 and Zone 22
- Ex d and Ex tb certified
- Gas group IIC
- Use of industrial Wireless Access Points in hazardous areas
- External antennas for best possible signal dispersion
- Customizable configuration of WI-FI and network devices and cable entries as per specification
- Image and drawing are generic for this device type and may deviate from the specific variant

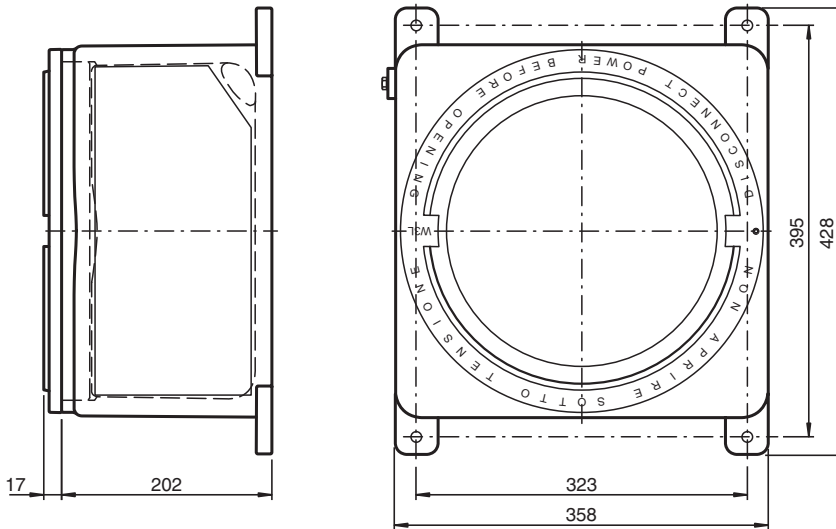
Wireless Access Point in aluminum alloy enclosure for use in explosion-hazardous areas



Function

Based on an aluminum alloy enclosure, this Wireless Access Point solution is specifically designed for installation in hazardous areas, including Zone 1, Zone 2, Zone 21, and Zone 22. The system allows the use of industrial Wireless Access Points in hazardous areas, ensuring seamless connectivity while maintaining safety standards. In addition to the Wireless Access Point, the solution also includes a patch panel to quickly connect the Wireless Access Point to the company's own network. Pepperl+Fuchs solution engineering teams offer many size and design options for the Ex d IIC and Ex tb certified flameproof enclosures with any custom configuration including WI-FI and network devices and cable entries to meet various requirements. Explosion-proof antennas are mounted on the enclosure to ensure the best possible distribution of radio frequency signals.

Dimensions



Technical Data

Electrical specifications

| | |
|-------------------|----------------------------|
| Operating voltage | 1500 V DC / 1000 V AC max. |
| Operating current | recommended: 1600 A max. |

Mechanical specifications

| | |
|----------------------|--|
| Thread type | metric ISO pitch 1.5 mm or NPT ANSI ASME B1.20.1 |
| Enclosure cover | threaded round cover |
| Cover fixing | flamepath thread |
| Cover seal | none, O-ring for IP66/67 |
| Degree of protection | IP66 (IP66/IP67 with O-ring) |

Release date: 2024-09-26 Date of issue: 2024-09-26 Filename: t221416_eng.pdf

Refer to "General Notes Relating to Pepperl+Fuchs Product Information".

Pepperl+Fuchs Group
www.pepperl-fuchs.com

USA: +1 330 486 0002
pa-info@us.pepperl-fuchs.com

Germany: +49 621 776 2222
pa-info@de.pepperl-fuchs.com

Singapore: +65 6779 9091
pa-info@sg.pepperl-fuchs.com

 PEPPERL+FUCHS

Technical Data

| | |
|--|--|
| Material | |
| Enclosure | aluminum alloy |
| Finish | epoxy coated RAL 7005 (grey) |
| O-Ring | silicone |
| Mass | 21 kg |
| Dimensions | 360 mm x 360 mm x 219 mm values might differ slightly due to casting and manufacturing tolerances |
| Mounting | see datasheets of relevant enclosures |
| Grounding | M6 external grounding points |
| Ambient conditions | |
| Ambient temperature | -40 ... 50 °C (-40 ... 122 °F) depending on integrated components |
| Data for application in connection with hazardous areas | |
| EU-type examination certificate | INERIS 14 ATEX 0035X |
| Marking | Ⓜ II 2 GD Ex db IIC T* Gb Ex tb IIIC T** °C Db T6/T85 °C T5/T100 °C T4/T135 °C T3/T200 °C depending on configuration, ambient temperature and built-in power loss |
| International approvals | |
| IECEX approval | IECEX INE 14.0042X |
| Further approvals | available on request |
| Conformity | |
| Degree of protection | EN 60529 |
| CE marking | 0080 or 0102, see type label |
| General information | |
| Ordering information | This Wireless Access Point solution will be delivered completely configured and assembled ready for use. For configuration details please contact customer service. |
| Supplementary information | EC-Type Examination Certificate, Statement of Conformity, Declaration of Conformity, Attestation of Conformity and instructions have to be observed where applicable. For information see www.pepperl-fuchs.com . |
| General specifications | |
| Installed components | All major WI-FI Access Point vendors such as Aruba, Cisco, ect. |

Type Code

| 1 | 2 | 3 | 4 | 5 | 6 | 7 | 8 |
|-----|---|---|---|----|---|---|-------|
| GUB | * | * | * | * | . | * | * |
| GUB | | | | 3L | . | I | CP |
| | | | | | | | Y0001 |

Example: GUB3L.I.CP-Y0001
Control panel GUB size 3L in aluminum, intrinsically safe circuits integrated

| | |
|----------|---------------------------------------|
| 1 | Enclosure type |
| GUB | enclosure Ex d IIC |
| 2 | Material |
| | copper-free aluminum |
| 3 | Window |
| | no window |
| W | window |
| 4 | Enclosure variant |
| | standard variant |
| E | variant with extension |
| 5 | Enclosure size |
| 00 ... 5 | see datasheets of relevant enclosures |

Release date: 2024-09-26 Date of issue: 2024-09-26 Filename: t221416_eng.pdf

Type Code

| 6 | Electrical circuits |
|---|--|
| D | without intrinsically safe circuits |
| I | intrinsically safe circuits integrated |

| 7 | Type of application |
|----|---------------------|
| CP | control panel |

| 8 | Variant number |
|----|--------------------|
| Y* | consecutive number |